

SCPI Command Reference Volume 1

Agilent Technologies E4428C/38C ESG Signal Generators

This guide applies to the following signal generator models:

E4428C ESG Analog Signal Generator

E4438C ESG Vector Signal Generator

Due to our continuing efforts to improve our products through firmware and hardware revisions, signal generator design and operation may vary from descriptions in this guide. We recommend that you use the latest revision of this guide to ensure you have up-to-date product information. Compare the print date of this guide (see bottom of page) with the latest revision, which can be downloaded from the following website:

<http://www.agilent.com/find/esg>



Agilent Technologies

Manufacturing Part Number: E4400-90506

Printed in USA

July 2007

© Copyright 2001–2007 Agilent Technologies, Inc.

Notice

The material contained in this document is provided “as is”, and is subject to being changed, without notice, in future editions.

Further, to the maximum extent permitted by applicable law, Agilent disclaims all warranties, either express or implied with regard to this manual and to any of the Agilent products to which it pertains, including but not limited to the implied warranties of merchantability and fitness for a particular purpose. Agilent shall not be liable for errors or for incidental or consequential damages in connection with the furnishing, use, or performance of this document or any of the Agilent products to which it pertains. Should Agilent have a written contract with the User and should any of the contract terms conflict with these terms, the contract terms shall control.

SCPI Command Reference, Volume 1

1. SCPI Basics	1
Command Reference Information	2
SCPI Command Listings	2
Key and Data Field Cross Reference	2
Supported Field	2
SCPI Basics	3
Common Terms	3
Command Syntax	4
Command Types	5
Command Tree	6
Command Parameters and Responses	7
Program Messages	12
File Name Variables	13
File Types and Directory Structure	14
MSUS (Mass Storage Unit Specifier) Variable	16
Quote Usage with SCPI Commands	17
Binary, Decimal, Hexadecimal, and Octal Formats	18
2. Basic Function Commands	19
Correction Subsystem ([:SOURce]:CORRection)	20
:FLATness:LOAD	20
:FLATness:PAIR	20
:FLATness:POINts	20
:FLATness:PRESet	21
:FLATness:STORe	21
[:STATe]	21
Digital Modulation Subsystem—E4438C ([:SOURce])	22
:BURSt:SOURce	22
:BURSt:STATe	22
:DM:EXTernal:ALC:BANDwidth BWIDTH	22
:DM:EXTernal:HCRest[:STATe]	23
:DM:EXTernal:FILTer	23
:DM:EXTernal:FILTer:AUTO	23
:DM:EXTernal:POLarity	24
:DM:EXTernal:SOURce	24

Contents

:DM:IQADjustment:BBG:QSKew	25
:DM:IQADjustment:EXTernal:COFFset	26
:DM:IQADjustment:EXTernal:DIOFFset	26
:DM:IQADjustment:EXTernal:DQOFFset	27
:DM:IQADjustment:EXTernal:GAIN	27
:DM:IQADjustment:EXTernal:IOFFset	27
:DM:IQADjustment:EXTernal:IQATten	28
:DM:IQADjustment:EXTernal:QOFFset	28
:DM:IQADjustment:GAIN	29
:DM:IQADjustment:IOFFset	29
:DM:IQADjustment:QOFFset	30
:DM:IQADjustment:QSKew	30
:DM:IQADjustment:SKEW	31
:DM:IQADjustment:SKEW:Path	32
:DM:IQADjustment[:STATe]	32
:DM:MODulation:FILTer	32
:DM:MODulation:FILTer:AUTO	33
:DM:MODulation:ATTen	33
:DM:MODulation:ATTen:AUTO	34
:DM:POLarity[:ALL]	34
:DM:SKEW:PATH	35
:DM:SKEW[:STATe]	35
:DM:SOURce	35
:DM:SRATio	36
:DM:STATe	37
Frequency Subsystem ([:SOURce])	38
:FREQuency:CHANnels:BAND	38
:FREQuency:CHANnels:NUMBer	40
:FREQuency:CHANnels[:STATe]	41
:FREQuency:FIXed	41
:FREQuency:MODE	42
:FREQuency:MULTiplier	42
:FREQuency:OFFSet	43
:FREQuency:OFFSet:STATe	43
:FREQuency:REFErence	43
:FREQuency:REFErence:STATe	44
:FREQuency:START	44
:FREQuency:STOP	45

:FREQuency:SYNThesis	45
:FREQuency[:CW]	46
:FREQuency[:CW]:STEP[:INCRement]	47
:PHASe:REFerence	47
:PHASe[:ADJust]	47
:ROSCillator:SOURce	47
:ROSCillator:SOURce:AUTO	48
List/Sweep Subsystem ([:SOURce])	49
:LIST:DIRection	50
:LIST:DWELI	50
:LIST:DWELI:POINts	51
:LIST:DWELI:TYPE	51
:LIST:FREQuency	51
:LIST:FREQuency:POINts	52
:LIST:MANual	52
:LIST:MODE	53
:LIST:POWer	53
:LIST:POWer:POINts	53
:LIST:RETRace	54
:LIST:TRIGger:SOURce	54
:LIST:TYPE	55
:LIST:TYPE:LIST:INITialize:FSTep	55
:LIST:TYPE:LIST:INITialize:PRESet	56
:SWEep:DWELI	56
:SWEep:POINts	57
Power Subsystem ([:SOURce]:POWer)	58
:ALC:BANdwidth BWIDth	58
:ALC:BANdwidth	59
:ALC:LEVel	60
:ALC:SEARch	60
:ALC:SEARch:REFerence	61
:ALC:SEARch:SPAN:START	61
:ALC:SEARch:SPAN:STOP:SPAN:STOP	61
:ALC:SEARch:SPAN:TYPE	62
:ALC:SEARch:SPAN[:STATe]	62
:ALC[:STATe]	62
:ALTerminate:AMPLitude	63
:ALTerminate:MANual	63

Contents

:ALternate:STATe	64
:ALternate:TRIGger[:SOURce].	64
:ATTenuation.	65
:ATTenuation:AUTO	65
:MODE	66
:REFerence	66
:REFerence:STATe	67
:START	67
:STOP	68
[:LEVel][:IMMediate]:OFFSet	68
[:LEVel][:IMMediate][:AMPLitude]	69
[:LEVel][:IMMediate][:AMPLitude]:STEP	69
3. System Commands.	71
Calibration Subsystem (:CALibration).	72
:DCFM	72
:IQ	72
:IQ:DC	72
:IQ:DEFault	73
:IQ:FULL	73
:IQ:START.	74
:IQ:STOP	74
Communication Subsystem (:SYSTem:COMMunicate)	75
:GPIB:ADDRess	75
:GTLocal	75
:LAN:CONFig	75
:LAN:GATEway.	76
:LAN:HOSTname	76
:LAN:IP	76
:LAN:SUBNet	77
:PMETer:ADDRess.	77
:PMETer:CHANnel	77
:PMETer:IDN	78
:PMETer:TIMEout	78
:SERial:BAUD	79
:SERial:ECHO	79
:SERial:RESet.	79
:SERial:TOUT	80

Diagnostic Subsystem (:DIAGnostic[:CPU]:INFORMATION)	81
:BOARDs	81
:CCOut:ATTenuator	81
:CCOut:PON	81
:CCOut:PROTection	81
:DISPlay:OTIME	82
:LIcense:AUXiliary	82
:LIcense:WAVeform	82
:OPTions	83
:OPTions:DETail	83
:OTIME	83
:REVision	83
:SDATe	84
:WLIcence[:VALue]	84
Display Subsystem (:DISPlay)	85
:ANNOtation:AMPLitude:UNIT	85
:ANNOtation:CLOCK:DATE:FORMat	85
:ANNOtation:CLOCK[:STATe]	85
:BRIGHtness	86
:CAPTure	86
:CONTRast	86
:INVerse	87
:REMote	87
[:WINDow][:STATe]	87
IEEE 488.2 Common Commands	88
*CLS	88
*ESE	88
*ESE?	88
*ESR?	89
*IDN?	89
*OPC	89
*OPC?	90
*OPT?	90
*PSC	90
*PSC?	90
*RCL	90
*RST	91
*SAV	91

Contents

- *SRE 91
- *SRE? 92
- *STB? 92
- *TRG 92
- *TST? 92
- *WAI 93
- Memory Subsystem (:MEMory) 94
 - :CATalog:BINary 94
 - :CATalog:BIT 94
 - :CATalog:CDMa 95
 - :CATalog:CDMA 95
 - :CATalog:DMOD 95
 - :CATalog:DWCDma 96
 - :CATalog:FCDMa 96
 - :CATalog:FIR 97
 - :CATalog:FSK 97
 - :CATalog:IQ 98
 - :CATalog:LIST 98
 - :CATalog:MCDMa 99
 - :CATalog:MDMod 99
 - :CATalog:MDWCdma 100
 - :CATalog:MFCdma 100
 - :CATalog:MTONe 101
 - :CATalog:RCDMa 101
 - :CATalog:SEQ 102
 - :CATalog:SHAPE 102
 - :CATalog:STATe 103
 - :CATalog:UFLT 103
 - :CATalog:UWCDma 104
 - :CATalog[:ALL] 104
 - :COPY[:NAME] 105
 - :DATA 105
 - :DATA:APPend 106
 - :DATA:BIT 107
 - :DATA:FIR 108
 - :DATA:FSK 109
 - :DATA:IQ 110
 - :DATA:PRAM:FILE:BLOCK 112

:DATA:PRAM:FILE:LIST	113
:DATA:PRAM	114
:DATA:PRAM:BLOCK	114
:DATA:PRAM:LIST	114
:DATA:SHAPE	114
:DATA:SHAPE	115
:DATA:UNPRotected	116
:DELeTe:ALL	117
:DELeTe:BINary	118
:DELeTe:BIT	118
:DELeTe:CDMa	118
:DELeTe:CDMA	118
:DELeTe:DMOD	118
:DELeTe:DWCDma	119
:DELeTe:FCDMa	119
:DELeTe:FIR	119
:DELeTe:FSK	119
:DELeTe:IQ	119
:DELeTe:LIST	120
:DELeTe:MCDMa	120
:DELeTe:MDMod	120
:DELeTe:MDWCdma	120
:DELeTe:MFCdma	120
:DELeTe:MTONE	121
:DELeTe:RCDMa	121
:DELeTe:SEQ	121
:DELeTe:SHAPE	121
:DELeTe:STATe	121
:DELeTe:UFLT	122
:DELeTe:UWCDma	122
:DELeTe[:NAME]	122
:FREE[:ALL]	122
:LOAD:LIST	123
:MOVE	123
:STATe:COMMeNt	123
:STORe:LIST	123
Mass Memory Subsystem (:MMEMory)	124
:CATalog	124

Contents

:COPY	124
:DATA	125
:DELeTe:NVWFm	125
:DELeTe:WFM	125
:DELeTe:WFM1	125
:DELeTe[:NAME]	126
:HEADer:CLear	126
:HEADer:DESCRiption	126
:LOAD:LIST	127
:MOVE	127
:STORE:LIST	127
Output Subsystem (:OUTPut)	128
:BLANKing:AUTO	128
:BLANKing:STATe	128
:MODulation[:STATe]	129
[:STATe]	129
Route Subsystem (:ROUte:HARDWare:DGENerator)	130
:INPut:BPOLarity	130
:INPut:CPOLarity	130
:INPut:DPOLarity	131
:INPut:SPOLarity	131
:IPOLarity:BGATe	131
:IPOLarity:CLOCK	132
:IPOLarity:DATA	132
:IPOLarity:SSYNc	132
:OPOLarity:CLOCK	133
:OPOLarity:DATA	133
:OPOLarity:SSYNc	134
:OUTPut:CPOLarity	134
:OUTPut:DCS[:STATe]	135
:OUTPut:DPOLarity	135
:OUTPut:SPOLarity	135
Status Subsystem (:STATus)	136
:OPERation:BASeband:CONDition	136
:OPERation:BASeband:ENABLE	136
:OPERation:BASeband:NTRansition	137
:OPERation:BASeband:PTRansition	137
:OPERation:BASeband[:EVENT]	138

:OPERation:CONDition	138
:OPERation:ENABle	139
:OPERation:NTRansition	139
:OPERation:PTRansition	140
:OPERation[:EVENT]	140
:PRESet	140
:QUEStionable:BERT:CONDition	141
:QUEStionable:BERT:ENABle	141
:QUEStionable:BERT:NTRansition	142
:QUEStionable:BERT:PTRansition	142
:QUEStionable:BERT[:EVENT]	143
:QUEStionable:CALibration:CONDition	143
:QUEStionable:CALibration:ENABle	143
:QUEStionable:CALibration:NTRansition	144
:QUEStionable:CALibration:PTRansition	144
:QUEStionable:CALibration[:EVENT]	145
:QUEStionable:CONDition	145
:QUEStionable:ENABle	146
:QUEStionable:FREQuency:CONDition	146
:QUEStionable:FREQuency:ENABle	146
:QUEStionable:FREQuency:NTRansition	147
:QUEStionable:FREQuency:PTRansition	147
:QUEStionable:FREQuency[:EVENT]	147
:QUEStionable:MODulation:CONDition	148
:QUEStionable:MODulation:ENABle	148
:QUEStionable:MODulation:NTRansition	149
:QUEStionable:MODulation:PTRansition	149
:QUEStionable:MODulation[:EVENT]	149
:QUEStionable:NTRansition	150
:QUEStionable:POWer:CONDition	150
:QUEStionable:POWer:ENABle	151
:QUEStionable:POWer:NTRansition	151
:QUEStionable:POWer:PTRansition	151
:QUEStionable:POWer[:EVENT]	152
:QUEStionable:PTRansition	152
:QUEStionable[:EVENT]	153
System Subsystem (:SYSTem)	154
:CAPability	154

Contents

:DATE	154
:ERRor[:NEXT]	155
:ERRor:SCPI[:SYNTax]	155
:FILEsystem:SAFEmode	155
:HELP:MODE	156
:IDN	156
:LANGuage	156
:OPT	157
:PON:TYPE	157
:PRESet	158
:PRESet:ALL	158
:PRESet:LANGuage	158
:PRESet:PERSistent	159
:PRESet:PN9	159
:PRESet:TYPE	160
:PRESet[:USER]:SAVE	160
:SECurity:DISPlay	160
:SECurity:ERASeall	161
:SECurity:LEVel	161
:SECurity:LEVel:STATe	162
:SECurity:OVERwrite	163
:SECurity:SANitize	163
:SSAVer:DELay	163
:SSAVer:MODE	164
:SSAVer:STATe	164
:TIME	165
:VERSion	165
Trigger Subsystem	166
:ABORt	166
:INITiate:CONTinuous[:ALL]	166
:INITiate[:IMMediate][:ALL]	167
:TRIGger:OUTPut:POLarity	167
:TRIGger[:SEQuence]:SLOPe	168
:TRIGger[:SEQuence]:SOURce	168
:TRIGger[:SEQuence][:IMMediate]	169
Unit Subsystem (:UNIT)	170
:POWer	170

4. Analog Commands	171
Amplitude Modulation Subsystem ([:SOURce])	172
:AM[1]2.....	172
:AM:INTErnal:FREQUency:STEP[:INCRement]	172
:AM:WIDeband:STATe.....	173
:AM[1]2:EXTErnal[1]2:COUPLing	173
:AM[1]2:INTErnal[1]:FREQUency	174
:AM[1]2:INTErnal[1]:FREQUency:ALTErnatE.....	174
:AM[1]2:INTErnal[1]:FREQUency:ALTErnatE:AMPLitUde:PERCent.....	175
:AM[1]2:INTErnal[1]:FUNCTion:SHAPE.....	175
:AM[1]2:INTErnal[1]:SWEep:TIME	175
:AM[1]2:INTErnal[1]:SWEep:TRIGger.....	176
:AM[1]2:SOURce.....	176
:AM[1]2:STATe	177
:AM[1]2[:DEPTh]	177
:AM[1]2[:DEPTh]:TRACk	178
:AM[:DEPTh]:STEP[:INCRement]	178
Frequency Modulation Subsystem ([:SOURce])	179
:FM[1]2.....	179
:FM:INTErnal:FREQUency:STEP[:INCRement]	180
:FM[1]2:EXTErnal[1]2:COUPLing	180
:FM[1]2:INTErnal[1]:FREQUency	181
:FM[1]2:INTErnal[1]:FREQUency:ALTErnatE	181
:FM[1]2:INTErnal[1]:FREQUency:ALTErnatE:AMPLitUde:PERCent	182
:FM[1]2:INTErnal[1]:FUNCTion:SHAPE.....	182
:FM[1]2:INTErnal[1]:SWEep:TIME	183
:FM[1]2:INTErnal[1]:SWEep:TRIGger	183
:FM[1]2:SOURce.....	184
:FM[1]2:STATe.....	184
:FM[1]2[:DEViation]	185
:FM[1]2[:DEViation]:TRACk	185
Low Frequency Output Subsystem ([:SOURce]:LFOutput)	186
:AMPLitUde.....	186
:FUNCTion[1]:FREQUency	186
:FUNCTion[1]:FREQUency:ALTErnatE	187
:FUNCTion[1]:FREQUency:ALTErnatE:AMPLitUde:PERCent.....	187
:FUNCTion[1]:PERiod.....	188
:FUNCTion[1]:PWIDth	188

Contents

:FUNction[1]:SHAPE	189
:FUNction[1]:SWEep:TIME	189
:FUNction[1]:SWEep:TRIGger	189
:SOURce	190
:STATe	190
Phase Modulation Subsystem ([:SOURce])	191
:PM[1]2:.....	191
:PM:INternal:FREQuency:STEP[:INCRement]	192
:PM[1]2:BANDwidth BWIDth	192
:PM[1]2:EXternal[1]:COUPLing	193
:PM[1]2:INternal[1]:FREQuency	193
:PM[1]2:INternal[1]:FREQuency:ALternate	194
:PM[1]2:INternal[1]:FREQuency:ALternate:AMPLitude:PERCent	194
:PM[1]2:INternal[1]:FUNction:SHAPE	195
:PM[1]2:INternal[1]:SWEep:TIME	195
:PM[1]2:INternal[1]:SWEep:TRIGger	195
:PM[1]2:SOURce	196
:PM[1]2:STATe	196
:PM[1]2[:DEViation]	197
:PM[1]2[:DEViation]:TRACk	197
:PM[:DEViation]:STEP[:INCRement]	198
Pulse Modulation Subsystem ([:SOURce]:PULM)	199
:INternal[1]:FREQuency	199
:INternal[1]:FREQuency:STEP	199
:INternal[1]:FUNction:SHAPE	200
:INternal[1]:PERiod	200
:INternal[1]:PERiod:STEP[:INCRement]	200
:INternal[1]:PWIDth	201
:INternal[1]:PWIDth:STEP	201
:SOURce	202
:STATe	202
5. Component Test Digital Commands	203
All Subsystem–Option 001/601 or 002/602 ([:SOURce])	204
:RADio:ALL:OFF	204
AWGN ARB Subsystem–Option 403 ([:SOURce]:RADio:AWGN:ARB)	205
:BWIDth	205
:IQ:EXternal:FILTer	205

:IQ:EXternal:FILTer:AUTO	206
:HEADer:CLear	206
:HEADer:SAVE	206
:IQ:MODulation:ATTen	207
:IQ:MODulation:ATTen:AUTO	207
:IQ:MODulation:FILTer	208
:IQ:MODulation:FILTer:AUTO	208
:MDEStination:AAMPLitude	209
:MDEStination:ALCHold	209
:MDEStination:PULSe	210
:MPOLarity:MARKer1 2 3 4	212
:LENGth	212
:REFeRence:EXTernal:FREQUency	212
:REFeRence[:SOURce]	213
:SCLock:RATE	213
:SEED	214
[:STATe]	214
CDMA ARB Subsystem–Option 401 ([:SOURce]:RADio:CDMA:ARB)	215
:CLIPping:I	215
:CLIPping:POSition	215
:CLIPping:Q	215
:CLIPping:TYPE	216
:CLIPping[:IJQ]	216
:CRATe	216
:IQ:EXTernal:FILTer	217
:IQ:EXTernal:FILTer:AUTO	217
:FILTer	218
:FILTer:ALPHa	219
:FILTer:BBT	219
:FILTer:CHANnel	220
:HEADer:CLear	220
:HEADer:SAVE	220
:IQMap	221
:IQ:MODulation:ATTen	221
:IQ:MODulation:ATTen:AUTO	221
:IQ:MODulation:FILTer	222
:IQ:MODulation:FILTer:AUTO	222
:MDEStination:AAMPLitude	222

Contents

:MDEStination:ALCHold	223
:MDEStination:PULSe	224
:MPOLarity:MARKer1 2 3 4	226
:OSAMple	226
:REFeRence:EXTeRnal:FREQUency	226
:REFeRence[:SOURce]	227
:RETRigger	227
:SCLock:RATE	228
:SETup	228
:SETup:CHANnel	229
:SETup:MCARrier	230
:SETup:MCARrier:STORE	231
:SETup:MCARrier:TABLE	231
:SETup:STORE	232
:TRIGger:TYPE	233
:TRIGger:TYPE:CONTInuous[:TYPE]	234
:TRIGger:TYPE:GATE:ACTive	235
:TRIGger[:SOURce]	235
:TRIGger[:SOURce]:EXTeRnal:DELAy	236
:TRIGger[:SOURce]:EXTeRnal:DELAy:STATE	237
:TRIGger[:SOURce]:EXTeRnal:SLOPe	237
:TRIGger[:SOURce]:EXTeRnal[:SOURce]	238
:WLENgth	238
[:STATE]	239
CDMA2000 ARB Subsystem–Option 401 ([:SOURce]:RADio:CDMA2000:ARB)	240
:CLIPping:I	240
:CLIPping:POSition	240
:CLIPping:Q	240
:CLIPping:TYPE	241
:CLIPping[:IJQ]	241
:IQ:EXTeRnal:FILTer	241
:IQ:EXTeRnal:FILTer:AUTO	242
:FILTer	242
:FILTer:ALPHa	243
:FILTer:BBT	244
:FILTer:CHANnel	244
:HEADer:CLEar	245
:HEADer:SAVE	245

:IQ:MODulation:ATTen	245
:IQ:MODulation:ATTen:AUTO	246
:IQ:MODulation:FILTer	246
:IQ:MODulation:FILTer:AUTO	246
:IQMap	247
:LINK	247
:LINK:FORWard:SETup	247
:LINK:FORWard:SETup:MCARrier	248
:LINK:FORWard:SETup:MCARrier:STORE	249
:LINK:FORWard:SETup:MCARrier:TABLE	249
:LINK:FORWard:SETup:MCARrier:TABLE:NCARriers	250
:LINK:FORWard:SETup:STORE	251
:LINK:FORWard:SETup:TABLE:APPLY	251
:LINK:FORWard:SETup:TABLE:CHANnel	252
:LINK:FORWard:SETup:TABLE:NCHannels	253
:LINK:FORWard:SETup:TABLE:PADJust	253
:LINK:REVerse:RCONfig	253
:LINK:REVerse:SETup	254
:LINK:REVerse:SETup:STORE	254
:LINK:REVerse:SETup:TABLE:APPLY	255
:LINK:REVerse:SETup:TABLE:CHANnel	255
:LINK:REVerse:SETup:TABLE:NCHannels	256
:LINK:REVerse:SETup:TABLE:PADJust	256
:MDEStination:AAMPlitude	257
:MDEStination:ALCHold	257
:MDEStination:PULSe	258
:MPOLarity:MARKer1 2 3 4	260
:REFerence:EXTernal:FREQuency	260
:REFerence[:SOURce]	260
:RETRigger	261
:REVision	261
:SCLock:RATE	262
:SPReading:RATE	262
:SPReading:TYPE	263
:SPReading:TYPE:MCARrier:SPACing	263
:TRIGger:TYPE	263
:TRIGger:TYPE:CONTinuous[:TYPE]	265
:TRIGger:TYPE:GATE:ACTive	266

Contents

:TRIGger[:SOURce]	266
:TRIGger[:SOURce]:EXTErnal:DELay	267
:TRIGger[:SOURce]:EXTErnal:DELay:STATe	268
:TRIGger[:SOURce]:EXTErnal:SLOPe	268
:TRIGger[:SOURce]:EXTErnal[:SOURce]	269
[:STATe]	269
Dmodulation Subsystem–Option 001/601 or 002/602 ([:SOURce]:RADio:DMODulation:ARB)	270
:IQ:EXTErnal:FILTer	270
:IQ:EXTErnal:FILTer:AUTO	270
:FILTer	271
:FILTer:ALPHa	272
:FILTer:BBT	272
:FILTer:CHANnel	273
:HEADer:CLear	273
:HEADer:SAVE	273
:IQ:MODulation:ATTen	274
:IQ:MODulation:ATTen:AUTO	274
:IQ:MODulation:FILTer	275
:IQ:MODulation:FILTer:AUTO	275
:MDESTination:AAMPLitude	276
:MDESTination:ALCHold	276
:MDESTination:PULSe	277
:MODulation:FSK[:DEViation]	279
:MODulation[:TYPE]	279
:MPOLarity:MARKer1 2 3 4	280
:REFerence:EXTErnal:FREQuency	280
:REFerence[:SOURce]	281
:RETRigger	281
:SCLock:RATE	282
:SETup	282
:SETup:MCARrier	283
:SETup:MCARrier:PHASe	283
:SETup:MCARrier:STORE	284
:SETup:MCARrier:TABLE	284
:SETup:MCARrier:TABLE:NCARriers	285
:SETup:STORE	285
:SRATe	286
:TRIGger:TYPE	287

:TRIGger:TYPE:CONTInuous[:TYPE]	288
:TRIGger:TYPE:GATE:ACTive	289
:TRIGger[:SOURce]	290
:TRIGger[:SOURce]:EXTernal:DELay	291
:TRIGger[:SOURce]:EXTernal:DELay:STATe	291
:TRIGger[:SOURce]:EXTernal:SLOPe	292
:TRIGger[:SOURce]:EXTernal[:SOURce].	292
[:STATe]	293
Dual ARB Subsystem—Option 001/601 or 002/602 ([:SOURce]:RADio:ARB)	294
:CLIPping	294
:GENerate:SINE	294
:HEADer:CLEar	295
:HEADer:RMS	295
:HEADer:SAVE	297
:HCRest[:STATe].	297
:IQ:EXTernal:FILTer	298
:IQ:EXTernal:FILTer:AUTO	298
:IQ:MODulation:ATTen	298
:IQ:MODulation:ATTen:AUTO	299
:IQ:MODulation:FILTer	299
:IQ:MODulation:FILTer:AUTO	300
:MARKer:CLEar	300
:MARKer:CLEar:ALL	301
:MARKer:ROTate	302
:MARKer:[SET]	302
:MDESTination:AAMPLitude	305
:MDESTination:ALCHold	305
:MDESTination:PULSe	306
:MPOLarity:MARKer1 2 3 4	308
:NOISe:BFACTOR	308
:NOISe:CBWidth	309
:NOISe:CN	309
:NOISe[:STATe]	310
:REFerence:EXTernal:FREQuency	310
:REFerence[:SOURce]	311
:RETRigger	311
:RSCALing	312
:SCALing	312

Contents

:SCLock:RATE	313
:SEquence	313
:TRIGger:TYPE	315
:TRIGger:TYPE:CONTInuous[:TYPE]	317
:TRIGger:TYPE:GATE:ACTive	317
:TRIGger:TYPE:SADVance[:TYPE]	318
:TRIGger:TYPE:SADVance[:TYPE]	318
:TRIGger[:SOURce]	320
:TRIGger[:SOURce]:EXTernal:DELAy:SAMPles	321
:TRIGger[:SOURce]:EXTernal:DELAy:STATe OFF ON 1 0	321
:TRIGger[:SOURce]:EXTernal:DELAy:STATe	321
:TRIGger[SOURce]:EXTernal:DELAy[:TIME]	322
:TRIGger[:SOURce]:EXTernal:SLOPe	322
:TRIGger[:SOURce]:EXTernal[:SOURce]	323
:WAVEform	323
:Waveform:NHEADers	324
[:STATE]	324
Multitone Subsystem—Option 001/601 or 002/602 ([:SOURce]:RADio:MTONE:ARB)	326
Creating a Multitone Waveform	326
:HEADer:CLear	326
:HEADer:SAVE	326
:IQ:EXTernal:FILTer	327
:IQ:EXTernal:FILTer:AUTO	327
:IQ:MODulation:ATTen	328
:IQ:MODulation:ATTen:AUTO	328
:IQ:MODulation:FILTer	329
:IQ:MODulation:FILTer:AUTO	329
:MDESTination:AAMPLitude	329
:MDESTination:ALCHold	330
:MDESTination:PULSe	331
:MPOLarity:MARKer1 2 3 4	333
:REFerence:EXTernal:FREQuency	333
:REFerence[:SOURce]	333
:ROW	334
:RSCALing	335
:SCLock:RATE	335
:SETup	336
:SETup:STORe	336

:SETup:TABLE	336
:SETup:TABLE:FSPacing	337
:SETup:TABLE:NTONes	337
:SETup:TABLE:PHASe:INITialize	338
:SETup:TABLE:PHASe:INITialize:SEED	338
[[:STATE]]	339
Wideband CDMA ARB Subsystem–Option 400 ([:SOURce]:RADio:WCDMa:TGPP:ARB)	340
:CLIPping:I	340
:CLIPping:POSition	340
:CLIPping:Q	340
:CLIPping:TYPE	341
:CLIPping[:IJQ]	341
:CRATe	342
:FILTer	342
:FILTer:ALPHa	343
:FILTer:BBT	343
:FILTer:CHANnel	344
:HEADer:CLEar	344
:HEADer:SAVE	344
:IQ:EXTernal:FILTer	344
:IQ:EXTernal:FILTer:AUTO	345
:IQMap	345
:IQ:MODulation:ATTen	346
:IQ:MODulation:ATTen:AUTO	346
:IQ:MODulation:FILTer	346
:IQ:MODulation:FILTer:AUTO	347
:LINK	347
:LINK:DOWN:OACP	347
:LINK:DOWN:SETup	348
:LINK:DOWN:SETup:MCARrier	349
:LINK:DOWN:SETup:MCARrier:CLIPping:I	350
:LINK:DOWN:SETup:MCARrier:CLIPping:Q	351
:LINK:DOWN:SETup:MCARrier:CLIPping:TYPE	351
:LINK:DOWN:SETup:MCARrier:CLIPping[:IJQ]	351
:LINK:DOWN:SETup:MCARrier:SCODE:AINCrement	352
:LINK:DOWN:SETup:MCARrier:STORE	352
:LINK:DOWN:SETup:MCARrier:TABLE	353
:LINK:DOWN:SETup:MCARrier:TABLE:NCARriers	355

Contents

:LINK:DOWN:SETup:MCARrier:TOFFset:AINCrement	355
:LINK:DOWN:SETup:STORE	355
:LINK:DOWN:SETup:TABLE:APPLY	356
:LINK:DOWN:SETup:TABLE:CHANnel	356
:LINK:DOWN:SETup:TABLE:NCHannels?	361
:LINK:DOWN:SETup:TABLE:PADJust	361
:LINK:DOWN:TFCI	361
:LINK:UP:OACP	362
:LINK:UP:SCRAMBLE	362
:LINK:UP:SDPDch	362
:LINK:UP:SETup	363
:LINK:UP:SETup:STORE	364
:LINK:UP:SETup:TABLE:APPLY	364
:LINK:UP:SETup:TABLE:CHANnel	364
:LINK:UP:SETup:TABLE:GUNit	366
:LINK:UP:SETup:TABLE:NCHannel	366
:LINK:UP:TFCI	366
:MDEStination:AAMPplitude	367
:MDEStination:ALCHold	367
:MDEStination:PULSe	368
:MPOLarity:MARKer1 2 3 4	370
:REFerence:EXTernal:FREQuency	370
:REFerence[:SOURce]	370
:RETRigger	371
:REVision	371
:SCLock:RATE	372
:TRIGger:TYPE	372
:TRIGger:TYPE:CONTinuous[:TYPE]	374
:TRIGger:TYPE:GATE:ACTive	374
:TRIGger[:SOURce]	375
:TRIGger[:SOURce]:EXTernal:DELay	376
:TRIGger[:SOURce]:EXTernal:DELay:STATE	376
:TRIGger[:SOURce]:EXTernal:SLOPe	377
:TRIGger[:SOURce]:EXTernal[:SOURce]	377
[:STATE]	378

SCPI Command Reference, Volume 2

6. Digital Signal Interface Module Commands	379
Digital Subsystem—Option 003 and 004 ([:SOURCE])	380
:DIGital:CLOCK:CPS 1 2 4	380
:DIGital:CLOCK:PHASe	380
:DIGital:CLOCK:POLarity	381
:DIGital:CLOCK:RATE	382
:DIGital:CLOCK:REFerence:FREQuency	382
:DIGital:CLOCK:SKEW	383
:DIGital:CLOCK:SOURCe	383
:DIGital:DATA:ALIGNment	384
:DIGital:DATA:BORDER	384
:DIGital:DATA:DIRection	385
:DIGital:DATA:IGain	385
:DIGital:DATA:INEGate	386
:DIGital:DATA:IOFFset	386
:DIGital:DATA:IQSWap	387
:DIGital:DATA:NFORmat	387
:DIGital:DATA:POLarity:FRAMe	387
:DIGital:DATA:POLarity:IQ	388
:DIGital:DATA:QGain	388
:DIGital:DATA:QNEGate	389
:DIGital:DATA:QOFFset	390
:DIGital:DATA:ROTation	390
:DIGital:DATA:SCALing	391
:DIGital:DATA:SIZE	391
:DIGital:DATA:STYPe	392
:DIGital:DATA:TYPE	392
:DIGital:DIAGnostic:LOOPback	393
:DIGital:LOGic[:TYPE]	393
:DIGital:PCONfig	394
:DIGital:PRESet:PTHROUGH	395
:DIGital[:STATe]	395
7. Bit Error Rate Test (BERT) Commands	397
Calculate Subsystem—Option UN7 and 300 (:CALCulate:BERT)	398

Contents

:BTS:LOOPback:EDGE:ETCH:F43:COMParator:CRITeria:ERATe	398
:BTS:LOOPback:EDGE:ETCH:F43:COMParator:CRITeria[:SElect]	398
:BTS:LOOPback:EDGE:MCS5:COMParator:CRITeria:ERATe	399
:BTS:LOOPback:EDGE:MCS5:COMParator:CRITeria[:SElect]	399
:BTS:LOOPback:EDGE:MCS9:COMParator:CRITeria:ERATe	399
:BTS:LOOPback:EDGE:MCS9:COMParator:CRITeria[:SElect]	400
:BTS:LOOPback:EDGE:UNCoded:COMParator:CRITeria:ERATe	400
:BTS:LOOPback:EDGE:UNCoded:COMParator:CRITeria[:SElect]	401
:BTS:LOOPback:GSM:CS1:COMParator:CRITeria:ERATe	401
:BTS:LOOPback:GSM:CS1:COMParator:CRITeria[:SElect]	402
:BTS:LOOPback:GSM:CS4:COMParator:CRITeria:ERATe	402
:BTS:LOOPback:GSM:CS4:COMParator:CRITeria[:SElect]	402
:BTS:LOOPback:GSM:MCS1:COMParator:CRITeria:ERATe	403
:BTS:LOOPback:GSM:MCS1:COMParator:CRITeria[:SElect]	403
:BTS:LOOPback:GSM:COMParator:CRITeria:CIB	404
:BTS:LOOPback:GSM:COMParator:CRITeria:CII	404
:BTS:LOOPback:GSM:COMParator:CRITeria:FERasure	404
:BTS:LOOPback:GSM:COMParator:CRITeria[:SElect]	405
[:BAsEband]:COMParator:MODE	405
[:BAsEband]:COMParator:THReshold	406
[:BAsEband]:COMParator[:STATe]	406
[:BAsEband]:DISPlay:MODE:	407
[:BAsEband]:DISPlay:UPDate:	407
Data Subsystem–Option UN7 and 300 (:DATA)	408
:BERT:BTS:LOOPback:EDGE:ETCH:F43[:DATA]	408
:BERT:BTS:LOOPback:EDGE:MCS5[:DATA]	409
:BERT:BTS:LOOPback:EDGE:MCS9[:DATA]	410
:BERT:BTS:LOOPback:EDGE:UNCoded[:DATA]	410
:BERT:BTS:LOOPback:GSM[:DATA]	410
:BERT:BTS:LOOPback:GSM:CS1[:DATA]	412
:BERT:BTS:LOOPback:GSM:CS4[:DATA]	413
:BERT:BTS:LOOPback:GSM:MCS1[:DATA]	413
:BERT:AUXout	413
[:DATA]	415
Input Subsystem–Option UN7 (:INPut:BERT[: BAsEband])	416
:CGATe:DELay:CLOCK	416
:CGATe:DELay:MODE	416
:CGATe:DELay:TIME	417

:CGATe:DELAy[:STATe].	417
:CGATe:POLarity	418
:CGATe[:STATe].	418
:CLOCK:DELAy:RESolution	418
:CLOCK:DELAy:TIME.	419
:CLOCK:DELAy[:STATe].	419
:CLOCK:POLarity	420
:DATA:POLarity	420
:IMPedance	420
:THReshold	421
Measure Subsystem–Option 300 (:MEASure[:SCALar]:BERT:BTS:LOOPback)	422
:EDGE:MCS5[:SENSitivity]	422
:EDGE:MCS9[:SENSitivity]	422
:EDGE:UNCoded[:SENSitivity].	423
:GSM[:SENSitivity]	424
Sense Subsystem–Options UN7 and 300 ([:SOURce]:SENSe:BERT)	425
:BTS:LOOPback:EDGE:ETCH:F43:BLOCK:COUNT.	425
:BTS:LOOPback:EDGE:ETCH:F43:CONTain	425
:BTS:LOOPback:EDGE:ETCH:F43:STOP:CRITeria:EBLock	426
:BTS:LOOPback:EDGE:ETCH:F43:STOP:CRITeria[:SElect]	426
:BTS:LOOPback:EDGE:FTRigger:EXTernal:DELAy	427
:BTS:LOOPback:EDGE:FTRigger:EXTernal:POLarity	427
:BTS:LOOPback:EDGE:FTRigger[SElect]	428
:BTS:LOOPback:EDGE:MCS5:BLOCK:COUNT.	428
:BTS:LOOPback:EDGE:MCS5:CONTain	429
:BTS:LOOPback:EDGE:MCS5:ESENSitivity	429
:BTS:LOOPback:EDGE:MCS5:HAMPLitude	429
:BTS:LOOPback:EDGE:MCS5:LAMPLitude.	430
:BTS:LOOPback:EDGE:MCS5:PAMPLitude	430
:BTS:LOOPback:EDGE:MCS5:SBLock:COUNT	430
:BTS:LOOPback:EDGE:MCS5:SBLock:INITial.	431
:BTS:LOOPback:EDGE:MCS5:STOP:CRITeria:EBLock.	431
:BTS:LOOPback:EDGE:MCS5:STOP:CRITeria[:SElect]	431
:BTS:LOOPback:EDGE:MCS9:BLOCK:COUNT.	432
:BTS:LOOPback:EDGE:MCS9:CONTain	432
:BTS:LOOPback:EDGE:MCS9:ESENSitivity	432
:BTS:LOOPback:EDGE:MCS9:HAMPLitude	433
:BTS:LOOPback:EDGE:MCS9:LAMPLitude.	433

Contents

:BTS:LOOPback:EDGE:MCS9:PAMPlitude	434
:BTS:LOOPback:EDGE:MCS9:SBLock:COUNT	434
:BTS:LOOPback:EDGE:MCS9:SBLock:INITial	434
:BTS:LOOPback:EDGE:MCS9:STOP:CRITeria:EBLock	435
:BTS:LOOPback:EDGE:MCS9:STOP:CRITeria[:SElect]	435
:BTS:LOOPback:EDGE:MEASurement:STOP	435
:BTS:LOOPback:EDGE:MEASurement:TSLot	436
:BTS:LOOPback:EDGE:MEASurement[:MODE]	436
:BTS:LOOPback:EDGE:SINVert	437
:BTS:LOOPback:EDGE:SYNC:AGain	437
:BTS:LOOPback:EDGE:SYNC:RF	437
:BTS:LOOPback:EDGE:SYNC[:SOURce]	438
:BTS:LOOPback:EDGE:TRIGger[:SOURce]	438
:BTS:LOOPback:EDGE:ULINK:OFFSet	439
:BTS:LOOPback:EDGE:UNCoded:BIT:COUNT	439
:BTS:LOOPback:EDGE:UNCoded:ESENSitivity	439
:BTS:LOOPback:EDGE:UNCoded:HAMPLitude	440
:BTS:LOOPback:EDGE:UNCoded:LAMPLitude	440
:BTS:LOOPback:EDGE:UNCoded:PAMPLitude	441
:BTS:LOOPback:EDGE:UNCoded:SBIT:COUNT	441
:BTS:LOOPback:EDGE:UNCoded:SBIT:INITial	441
:BTS:LOOPback:EDGE:UNCoded:STOP:CRITeria:EBIT	442
:BTS:LOOPback:EDGE:UNCoded:STOP:CRITeria[:SElect]	442
:BTS:LOOPback:EDGE[:STATe]	442
:BTS:LOOPback:GSM:CS1:BLock:COUNT	443
:BTS:LOOPback:GSM:CS1:CONTain	443
:BTS:LOOPback:GSM:CS1:STOP:CRITeria:EBLock	444
:BTS:LOOPback:GSM:CS1:STOP:CRITeria[:SElect]	444
:BTS:LOOPback:GSM:CS4:BLock:COUNT	444
:BTS:LOOPback:GSM:CS4:CONTain	445
:BTS:LOOPback:GSM:CS4:STOP:CRITeria:EBLock	445
:BTS:LOOPback:GSM:CS4:STOP:CRITeria[:SElect]	446
:BTS:LOOPback:GSM:ESENSitivity	446
:BTS:LOOPback:GSM:FRAMe:CIB	446
:BTS:LOOPback:GSM:FRAMe:CII	446
:BTS:LOOPback:GSM:FRAMe:COUNT	447
:BTS:LOOPback:GSM:HAMPLitude	447
:BTS:LOOPback:GSM:LAMPLitude	447

:BTS:LOOPback:GSM:MCS1:BLOCK:COUNT	448
:BTS:LOOPback:GSM:MCS1:CONTain	448
:BTS:LOOPback:GSM:MCS1:STOP:CRITeria:EBLock	448
:BTS:LOOPback:GSM:MCS1:STOP:CRITeria[:SElect]	449
:BTS:LOOPback:GSM:MEASurement:STOP	449
:BTS:LOOPback:GSM:MEASurement:TSLot	449
:BTS:LOOPback:GSM:MEASurement[:MODE]	450
:BTS:LOOPback:GSM:PAMplitude	450
:BTS:LOOPback:GSM:SFRame:COUNT	450
:BTS:LOOPback:GSM:SFRame:INITial	451
:BTS:LOOPback:GSM:SINVert	451
:BTS:LOOPback:GSM:STOP:CRITeria:CIB	451
:BTS:LOOPback:GSM:STOP:CRITeria:CII	452
:BTS:LOOPback:GSM:STOP:CRITeria:FERasure	452
:BTS:LOOPback:GSM:STOP:CRITeria[:SElect]	452
:BTS:LOOPback:GSM:SYNC:RF	453
:BTS:LOOPback:GSM:SYNC[:SOURce]	454
:BTS:LOOPback:GSM:TRIGger[:SOURce]	454
:BTS:LOOPback:GSM:ULINK:OFFSet	455
:BTS:LOOPback:GSM[:STATe]	455
[:BAsEband]:PRBS:FUNCTion:SPIGnore:DATA	455
[:BAsEband]:PRBS:FUNCTion:SPIGnore[:STATe]	456
[:BAsEband]:PRBS[:DATA]	456
[:BAsEband]:RSYNc:THReshold	456
[:BAsEband]:RSYNc[:STATe]	457
[:BAsEband]:STATe	457
[:BAsEband]:STOP:CRITeria:EBIT	457
[:BAsEband]:STOP:CRITeria[:SElect]	458
[:BAsEband]:TBITs	458
[:BAsEband]:TRIGger:BDELay	459
[:BAsEband]:TRIGger:BDELay:STATe	459
[:BAsEband]:TRIGger:COUNT	459
[:BAsEband]:TRIGger:POLarity	460
[:BAsEband]:TRIGger[:SOURce]	460
8. Receiver Test Digital Commands	461
All Subsystem–Option 001/601 or 002/602 ([:SOURce])	462
:RADio:ALL:OFF	462

Contents

AWGN Real-Time Subsystem–Option 403 ([:SOURCE]:RADio:AWGN:RT)	463
:BWIDth	463
[:STATe]	463
Bluetooth Subsystem–Option 406 ([:SOURCE]:RADio:BLUEtooth:ARB)	464
:AMADdr	464
:BDADdr.	464
:BURSt[:STATe]	464
:CGDelay	465
:DATA	465
:IQ:EXTernal:FILTer.	466
:IQ:EXTernal:FILTer:AUTO	466
:HEADer:CLEar	467
:HEADer:SAVE	467
:IMPairments	467
:IMPairments:AWGN	468
:IMPairments:AWGN:CNR	468
:IMPairments:AWGN:NSEed.	469
:IMPairments:DDEViation	469
:IMPairments:FDType	470
:IMPairments:FOFFset	470
:IMPairments:MINdex.	471
:IMPairments:STERror.	472
:IQ:MODulation:ATTen	472
:IQ:MODulation:ATTen:AUTO	473
:IQ:MODulation:FILTer	473
:IQ:MODulation:FILTer:AUTO	474
:MDEStination:AAMPplitude	474
:MDEStination:ALCHold.	474
:MDEStination:PULSe	475
:MPOLarity:MARKer1 2 3 4	475
:MPOLarity:MARKer1.	475
:MPOLarity:MARKer2.	476
:MPOLarity:MARKer3.	476
:MPOLarity:MARKer4.	476
:PACKet	476
:REFernce:EXTernal:FREQuency	477
:REFerence[:SOURCE]	477
:RSYMBOLs	478

:SCLock:RATE	478
[:STATe]	478
CDMA2000 BBG Subsystem–Option 401 ([:SOURce]:RADio:CDMA2000[:BBG])	479
:LMODe	479
[:FORWard]:BBCLock	480
[:FORWard]:CHIPrate	480
[:FORWard]:ESDelay	480
[:FORWard]:FILTer	481
[:FORWard]:FILTer:ALPHa	482
[:FORWard]:FILTer:BBT	482
[:FORWard]:FILTer:CHANnel	482
[:FORWard]:LCSTate	483
[:FORWard]:FFCH:DATA	483
[:FORWard]:FFCH:DATA:FIX4	484
[:FORWard]:FFCH:EBNO	484
[:FORWard]:FFCH:FOFFset	485
[:FORWard]:FFCH:LCMask	485
[:FORWard]:FFCH:LCMask:ESN	486
[:FORWard]:FFCH:LCMask:HEADer	486
[:FORWard]:FFCH:POWER	486
[:FORWard]:FFCH:PRAMp	487
[:FORWard]:FFCH:PRTIME	487
[:FORWard]:FFCH:QOF	487
[:FORWard]:FFCH:RATE	488
[:FORWard]:FFCH:RCONfig	488
[:FORWard]:FFCH:WALSh	488
[:FORWard]:FFCH[:STATe]	489
[:FORWard]:FPCH:DATA	489
[:FORWard]:FPCH:EBNO	489
[:FORWard]:FPCH:LCMask	490
[:FORWard]:FPCH:LCMask:F1	490
[:FORWard]:FPCH:LCMask:F2	490
[:FORWard]:FPCH:LCMask:F3	491
[:FORWard]:FPCH:MESSAge	491
[:FORWard]:FPCH:POWER	491
[:FORWard]:FPCH:RATE	492
[:FORWard]:FPCH:WALSh	492
[:FORWard]:FPCH[:STATe]	492

Contents

[:FORWARD]:FPICH:ECNO	493
[:FORWARD]:FPICH:POWER	493
[:FORWARD]:FPICH[:STATE].	494
[:FORWARD]:FSCH[1]2:DATA.	494
[:FORWARD]:FSCH[1]2:DATA:FIX4.	494
[:FORWARD]:FSCH[1]2:EBNO	495
[:FORWARD]:FSCH[1]2:FOFFset.	495
[:FORWARD]:FSCH[1]2:LCMask.	496
[:FORWARD]:FSCH[1]2:LCMask:ESN	496
[:FORWARD]:FSCH[1]2:LCMask:HEADer	496
[:FORWARD]:FSCH[1]2:POWER.	497
[:FORWARD]:FSCH[1]2:QOF.	497
[:FORWARD]:FSCH[1]2:RATE.	497
[:FORWARD]:FSCH[1]2:RCONfig	498
[:FORWARD]:FSCH[1]2:TCODE	498
[:FORWARD]:FSCH[1]2:WALSh	498
[:FORWARD]:FSCH[1]2[:STATE]	499
[:FORWARD]:FSYNc:CFRequency	499
[:FORWARD]:FSYNc:DAYLt.	499
[:FORWARD]:FSYNc:EBNO	500
[:FORWARD]:FSYNc:ECFRequency	500
[:FORWARD]:FSYNc:LPSec	501
[:FORWARD]:FSYNc:LTMoff	501
[:FORWARD]:FSYNc:MPREv	501
[:FORWARD]:FSYNc:MSGType	502
[:FORWARD]:FSYNc:NID	502
[:FORWARD]:FSYNc:POWER.	502
[:FORWARD]:FSYNc:PRATe	503
[:FORWARD]:FSYNc:PREV	503
[:FORWARD]:FSYNc:RESErved	503
[:FORWARD]:FSYNc:SID	504
[:FORWARD]:FSYNc:STYPe.	504
[:FORWARD]:FSYNc:SYSTime.	504
[:FORWARD]:FSYNc:WALSh	505
[:FORWARD]:FSYNc[:STATE].	505
[:FORWARD]:NOISE:CN	505
[:FORWARD]:NOISE[:STATE]	506
[:FORWARD]:OCNS:EBNO	506

[:FORWard]:OCNS:POWer	507
[:FORWard]:OCNS:WALSh	508
[:FORWard]:OCNS[:STATe]	508
[:FORWard]:PADJust	508
[:FORWard]:POLarity	509
[:FORWard]:QPCH:CCI	509
[:FORWard]:QPCH:EBNO	509
[:FORWard]:QPCH:PI	510
[:FORWard]:QPCH:POWer	510
[:FORWard]:QPCH:RATE	511
[:FORWard]:QPCH:WALSh	511
[:FORWard]:QPCH[:STATe]	511
[:FORWard]:SRATe	511
:PNOFFset	512
:REVerse:BBCLock	512
:REVerse:CHIPrate	513
:REVerse:ESDelay	513
:REVerse:FILTer	514
:REVerse:FILTer:ALPHa	515
:REVerse:FILTer:BBT	515
:REVerse:FILTer:CHANnel	516
:REVerse:LCMask	516
:REVerse:LCSTate	516
:REVerse:PADJust	517
:REVerse:POLarity[:ALL]	517
:REVerse:NOISe:CN	517
:REVerse:NOISe[:STATe]	518
:REVerse:RC12:ACCess:RACH:DATA	518
:REVerse:RC12:ACCess:RACH:DATA:FIX4	519
:REVerse:RC12:ACCess:RACH:EBNO	519
:REVerse:RC12:ACCess:RACH:FLENgth	520
:REVerse:RC12:ACCess:RACH:FOFFset	520
:REVerse:RC12:ACCess:RACH:POWer	520
:REVerse:RC12:ACCess:RACH:RCONfig	521
:REVerse:RC12:ACCess:RACH:RATE	521
:REVerse:RC12:ACCess:RACH[:STATe]	521
:REVerse:RC12:TRAFfic:RSCH:DATA	522
:REVerse:RC12:TRAFfic:RSCH:DATA:FIX4	522

Contents

:REVerse:RC12:TRAFfic:RSCH:FLENgth	522
:REVerse:RC12:TRAFfic:RSCH:FOFFset	523
:REVerse:RC12:TRAFfic:RSCH:POWer	523
:REVerse:RC12:TRAFfic:RSCH:RATE	523
:REVerse:RC12:TRAFfic:RSCH:RCONfig	524
:REVerse:RC12:TRAFfic:RSCH[:STATe]	524
:REVerse:RC34:CCONtrol:RCCCh:DATA	524
:REVerse:RC34:CCONtrol:RCCCh:DATA:FIX4	525
:REVerse:RC34:CCONtrol:RCCCh:EBNO	525
:REVerse:RC34:CCONtrol:RCCCh:FLENgth	526
:REVerse:RC34:CCONtrol:RCCCh:FOFFset	526
:REVerse:RC34:CCONtrol:RCCCh:POWer	526
:REVerse:RC34:CCONtrol:RCCCh:RCONfig	527
:REVerse:RC34:CCONtrol:RCCCh:RATE	527
:REVerse:RC34:CCONtrol:RCCCh:WALSh	527
:REVerse:RC34:CCONtrol:RCCCh[:STATe]	528
:REVerse:RC34:CCONtrol:RPICH:ECNO	528
:REVerse:RC34:CCONtrol:RPICH:GRATe	529
:REVerse:RC34:CCONtrol:RPICH:POWer	529
:REVerse:RC34:CCONtrol:RPICH:WALSh	529
:REVerse:RC34:CCONtrol:RPICH[:STATe]	530
:REVerse:RC34:EACCess:REACH:DATA	530
:REVerse:RC34:EACCess:REACH:DATA:FIX4	530
:REVerse:RC34:EACCess:REACH:EBNO	531
:REVerse:RC34:EACCess:REACH:FOFFset	531
:REVerse:RC34:EACCess:REACH:POWer	532
:REVerse:RC34:EACCess:REACH:RCONfig	532
:REVerse:RC34:EACCess:REACH:RATE	532
:REVerse:RC34:EACCess:REACH:WALSh	533
:REVerse:RC34:EACCess:REACH[:STATe]	533
:REVerse:RC34:EACCess:RPICH:ECNO	533
:REVerse:RC34:EACCess:RPICH:GRATe	534
:REVerse:RC34:EACCess:RPICH:POWer	534
:REVerse:RC34:EACCess:RPICH:WALSh	534
:REVerse:RC34:EACCess:RPICH[:STATe]	535
:REVerse:RC34:TRAFfic:RDCCh:DATA	535
:REVerse:RC34:TRAFfic:RDCCh:DATA:FIX4	535
:REVerse:RC34:TRAFfic:RDCCh:EBNO	536

:REVerse:RC34:TRAFfic:RDCCh:FLENgth	536
:REVerse:RC34:TRAFfic:RDCCh:FOFFset.	536
:REVerse:RC34:TRAFfic:RDCCh:POWer	537
:REVerse:RC34:TRAFfic:RDCCh:RATE.	537
:REVerse:RC34:TRAFfic:RDDCh:RCONfig.	537
:REVerse:RC34:TRAFfic:RDCCh:WALSh	538
:REVerse:RC34:TRAFfic:RDCCh[:STATe]	538
:REVerse:RC34:TRAFfic:RFCH:DATA.	538
:REVerse:RC34:TRAFfic:RFCH:DATA:FIX4	539
:REVerse:RC34:TRAFfic:RFCH:EBNO	539
:REVerse:RC34:TRAFfic:RFCH:FLENgth	540
:REVerse:RC34:TRAFfic:RFCH:FOFFset	540
:REVerse:RC34:TRAFfic:RFCH:POWer	540
:REVerse:RC34:TRAFfic:RFCH:RCONfig	541
:REVerse:RC34:TRAFfic:RFCH:RATE.	541
:REVerse:RC34:TRAFfic:RFCH:WALSh	541
:REVerse:RC34:TRAFfic:RFCH[:STATe]	541
:REVerse:RC34:TRAFfic:RSCH[1]2:DATA	542
:REVerse:RC34:TRAFfic:RSCH[1]2:DATA:FIX4	542
:REVerse:RC34:TRAFfic:RSCH[1]2:DATA:EBNO	542
:REVerse:RC34:TRAFfic:RSCH[1]2:FLENgth.	543
:REVerse:RC34:TRAFfic:RSCH[1]2:FOFFset	543
:REVerse:RC34:TRAFfic:RSCH[1]2:POWer	544
:REVerse:RC34:TRAFfic:RSCH[1]2:RCONfig	544
:REVerse:RC34:TRAFfic:RSCH[1]2:RATE	544
:REVerse:RC34:TRAFfic:RSCH[1]2:TCODE.	545
:REVerse:RC34:TRAFfic:RSCH[1]2:WALSh.	545
:REVerse:RC34:TRAFfic:RSCH[1]2[:STATe]	545
:REVerse:REFeRence:EXTeRnal:FREQuency	546
:REVerse:REFeRence[:SOURce].	546
:REVerse:TADVance	546
:REVerse:TEDGE	547
:REVerse:SRATE	547
[:STATe]	547
Custom Subsystem–Option 001/601or 002/602 ([:SOURce]:RADio:CUSTom).	548
:ALPha	548
:ASK	548
:BBCLock	549

Contents

:BBT	549
:BRATe	550
:BURSt:SHAPe:FALL:DELay	552
:BURSt:SHAPe:FALL:TIME	552
:BURSt:SHAPe:FDELay	553
:BURSt:SHAPe:FTIME	553
:BURSt:SHAPe:RDELay	554
:BURSt:SHAPe:RISE:DELay	554
:BURSt:SHAPe:RISE:TIME	555
:BURSt:SHAPe:RTIME	556
:BURSt:SHAPe[:TYPE]	556
:CHANnel	557
:DATA	557
:DATA:FIX4	558
:DATA:PRAM	558
:DENCode	559
:EDATa:DELay	559
:EDCLock	559
:EREFerence	560
:EREFerence:VALue	560
:FILTer	561
:IQ:SCALE	562
:MODulation:FSK[:DEViation]	563
:MODulation:MSK[:PHASe]	563
:MODulation:UFSK	564
:MODulation:UIQ	564
:MODulation[:TYPE]	564
:POLarity[:ALL]	565
:SRATe	565
:STANdard:SELEct	567
:TRIGger:TYPE	567
:TRIGger:TYPE:CONTinuous[:TYPE]	568
:TRIGger:TYPE:GATE:ACTive	568
:TRIGger[:SOURce]	569
:TRIGger[:SOURce]:EXTernal:DELay	570
:TRIGger[:SOURce]:EXTernal:DELay:STATe	570
:TRIGger[:SOURce]:EXTernal:SLOPe	571
:TRIGger[:SOURce]:EXTernal[:SOURce]	571

[:STATe]	572
DECT Subsystem–Option 402 ([:SOURce]:RADio:DECT)	573
:ALPha	573
:BBCLock	573
:BBT	574
:BRATe	574
:BURSt:PN9	575
:BURSt:SHAPe:FALL:DELay	576
:BURSt:SHAPe:FALL:TIME	576
:BURSt:SHAPe:FDELay	577
:BURSt:SHAPe:FTIME	577
:BURSt:SHAPe:RDELay	578
:BURSt:SHAPe:RISE:DELay	578
:BURSt:SHAPe:RISE:TIME	579
:BURSt:SHAPe:RTIME	580
:BURSt:SHAPe[:TYPE]	580
:BURSt[:STATe]	581
:CHANnel	581
:DATA	582
:DATA:FIX4	582
:DATA:PRAM	583
:DEFault	583
:EDATa:DELay	583
:EDCLock	584
:EREFerence	584
:EREFerence:VALue	585
:FILTer	585
:IQ:SCALE	586
:MODulation:FSK[:DEViation]	586
:MODulation:MSK[:PHASe]	587
:MODulation:UFSK	587
:MODulation:UIQ	588
:MODulation[:TYPE]	588
:POLarity[:ALL]	588
:PPart:SLOT0 [1] 2 3 4 5 6 7 8 9 10 11[:TYPE]	589
:PPart:SLOT0 [1] 2 3 4 5 6 7 8 9 10 11:CUSTom	589
:PPart:SLOT0 [1] 2 3 4 5 6 7 8 9 10 11:CUSTom:FIX4	590
:PPart:SLOT0 [1] 2 3 4 5 6 7 8 9 10 11:LCAPacity:A	590

Contents

:PPart:SLOT0 [1] 2 3 4 5 6 7 8 9 10 11:LCAPacity:P	591
:PPart:SLOT0 [1] 2 3 4 5 6 7 8 9 10 11:LCAPacity:S	591
:PPart:SLOT0 [1] 2 3 4 5 6 7 8 9 10 11:LCAPacity[:B]	592
:PPart:SLOT0 [1] 2 3 4 5 6 7 8 9 10 11:LCAPacity[:B]:FIX4	592
:PPart:SLOT0 [1] 2 3 4 5 6 7 8 9 10 11:LCAPacity:POWer	593
:PPart:SLOT0 [1] 2 3 4 5 6 7 8 9 10 11:STATe	593
:PPart:SLOT0 [1] 2 3 4 5 6 7 8 9 10 11:TRAFfic:A	593
:PPart:SLOT0 [1] 2 3 4 5 6 7 8 9 10 11:TRAFfic:P	594
:PPart:SLOT0 [1] 2 3 4 5 6 7 8 9 10 11:TRAFfic:S	594
:PPart:SLOT0 [1] 2 3 4 5 6 7 8 9 10 11:TRAFfic[:B]	595
:PPart:SLOT0 [1] 2 3 4 5 6 7 8 9 10 11:TRAFfic[:B]:FIX4	595
:PPart:SLOT0 [1] 2 3 4 5 6 7 8 9 10 11:ZLCapacity:A	596
:PPart:SLOT0 [1] 2 3 4 5 6 7 8 9 10 11:ZLCapacity:P	596
:PPart:SLOT0 [1] 2 3 4 5 6 7 8 9 10 11:ZLCapacity:A	596
:PPart:SLOT0 [1] 2 3 4 5 6 7 8 9 10 11:ZLCapacity[:B]	597
:PPart:SLOT0 [1] 2 3 4 5 6 7 8 9 10 11:ZLCapacity[:B]:FIX4	597
:PPart:SLOT0 [1] 2 3 4 5 6 7 8 9 10 11:ZTRaffic:A	598
:PPart:SLOT0 [1] 2 3 4 5 6 7 8 9 10 11:ZTRaffic:P	598
:PPart:SLOT0 [1] 2 3 4 5 6 7 8 9 10 11:ZTRaffic:S	598
:PPart:SLOT0 [1] 2 3 4 5 6 7 8 9 10 11:ZTRaffic[:B]	599
:PPart:SLOT0 [1] 2 3 4 5 6 7 8 9 10 11:ZTRaffic[:B]:FIX4	599
:RFPart:SLOT0 [1] 2 3 4 5 6 7 8 9 10 11[:TYPE]	600
:RFPart:SLOT0 [1] 2 3 4 5 6 7 8 9 10 11:CUSTom	600
:RFPart:SLOT0 [1] 2 3 4 5 6 7 8 9 10 11:CUSTom:FIX4	601
:RFPart:SLOT0 [1] 2 3 4 5 6 7 8 9 10 11:DUMM2:A	601
:RFPart:SLOT0 [1] 2 3 4 5 6 7 8 9 10 11:DUMM2:P	602
:RFPart:SLOT0 [1] 2 3 4 5 6 7 8 9 10 11:DUMM2:S	602
:RFPart:SLOT0 [1] 2 3 4 5 6 7 8 9 10 11:DUMM[1]:A	602
:RFPart:SLOT0 [1] 2 3 4 5 6 7 8 9 10 11:DUMM[1]:P	603
:RFPart:SLOT0 [1] 2 3 4 5 6 7 8 9 10 11:DUMM[1]:S	603
:RFPart:SLOT0 [1] 2 3 4 5 6 7 8 9 10 11:LCAPacity:A	603
:RFPart:SLOT0 [1] 2 3 4 5 6 7 8 9 10 11:LCAPacity:P	604
:RFPart:SLOT0 [1] 2 3 4 5 6 7 8 9 10 11:LCAPacity:S	604
:RFPart:SLOT0 [1] 2 3 4 5 6 7 8 9 10 11:LCAPacity[:B]	604
:RFPart:SLOT0 [1] 2 3 4 5 6 7 8 9 10 11:LCAPacity[:B]:FIX4	605
:RFPart:SLOT0 [1] 2 3 4 5 6 7 8 9 10 11:LCAPacity:POWer	605
:RFPart:SLOT0 [1] 2 3 4 5 6 7 8 9 10 11:STATe	606
:RFPart:SLOT0 [1] 2 3 4 5 6 7 8 9 10 11:TRAFfic:A	606

:RFPart:SLOT0[1] 2 3 4 5 6 7 8 9 10 11:TRAFfic:P	606
:RFPart:SLOT0[1] 2 3 4 5 6 7 8 9 10 11:TRAFfic:S	607
:RFPart:SLOT0[1] 2 3 4 5 6 7 8 9 10 11:TRAFfic[:B]	607
:RFPart:SLOT0[1] 2 3 4 5 6 7 8 9 10 11:TRAFfic[:B]:FIX4	608
:RFPart:SLOT0[1] 2 3 4 5 6 7 8 9 10 11:ZLCapacity:A	608
:RFPart:SLOT0[1] 2 3 4 5 6 7 8 9 10 11:ZLCapacity:P	608
:RFPart:SLOT0[1] 2 3 4 5 6 7 8 9 10 11:ZLCapacity:S	609
:RFPart:SLOT0[1] 2 3 4 5 6 7 8 9 10 11:ZLCapacity[:B]	609
:RFPart:SLOT0[1] 2 3 4 5 6 7 8 9 10 11:ZLCapacity[:B]:FIX4	610
:RFPart:SLOT0[1] 2 3 4 5 6 7 8 9 10 11:ZTRaffic:A	610
:RFPart:SLOT0[1] 2 3 4 5 6 7 8 9 10 11:ZTRaffic:P	610
:RFPart:SLOT0[1] 2 3 4 5 6 7 8 9 10 11:ZTRaffic:S	611
:RFPart:SLOT0[1] 2 3 4 5 6 7 8 9 10 11:ZTRaffic[:B]	611
:RFPart:SLOT0[1] 2 3 4 5 6 7 8 9 10 11:ZTRaffic[:B]:FIX4	612
:SECondary:RECall	612
:SECondary:SAVE	612
:SECondary:TRIGger[:SOURce]	613
:SECondary[:STATe]	613
:SOUT	614
:SOUT:OFFSet	614
:SOUT:SLOT	615
:SRATe	615
:TRIGger:TYPE	616
:TRIGger:TYPE:CONTInuous[:TYPE]	617
:TRIGger:TYPE:GATE:ACTive	618
:TRIGger[:SOURce]	618
:TRIGger[:SOURce]:EXTernal:DELay	619
:TRIGger[:SOURce]:EXTernal:SLOPe	620
:TRIGger[:SOURce]:EXTernal[:SOURce]	620
:TRIGger[:SOURce]:EXTernal:DELay:STATe	621
[:STATe]	621
EDGE Subsystem–Option 402 ([:SOURce]:RADio:EDGE)	622
:ALPHa	622
:BBCLock	622
:BBT	623
:BURSt:SHAPe:FALL:DELay	623
:BURSt:SHAPe:FDELay	624
:BURSt:SHAPe:FALL:TIME	625

Contents

:BURSt:SHAPE:FTIME	625
:BURSt:SHAPE:RDElay	626
:BURSt:SHAPE:RISE:DElay	627
:BURSt:SHAPE:RISE:TIME	627
:BURSt:SHAPE:RTIME	628
:BURSt:SHAPE[:TYPE]	629
:BURSt[:STATe]	629
:CHANnel	630
:DATA	630
:DATA:PRAM	631
:DATA:FIX4	631
:DEFault	632
:EDATa:DElay	632
:EDCLock	632
:EREFerence	633
:EREFerence:VALue	633
:FILTer	634
:IQ:SCALE	635
:MODulation:FSK[:DEViation]	635
:MODulation:MSK[:PHASe]	636
:MODulation:UFSK	636
:MODulation:UIQ	636
:MODulation[:TYPE]	637
:POLarity[:ALL]	637
:SECondary:RECall	638
:SECondary:SAVE	638
:SECondary:TRIGger[:SOURce]	638
:SECondary[:STATe]	639
:SLOT0[1]2 3 4 5 6 7:CUSTom	639
:SLOT0[1]2 3 4 5 6 7:CUSTom:FIX4	640
:SLOT0[1]2 3 4 5 6 7:CUSTom:GUARd	640
:SLOT0[1]2 3 4 5 6 7:GMSK:ENCryption	641
:SLOT0[1]2 3 4 5 6 7:GMSK:ENCryption:CS1:DATA	642
:SLOT0[1]2 3 4 5 6 7:GMSK:ENCryption:CS4:DATA	643
:SLOT0[1]2 3 4 5 6 7:GMSK:ENCryption:DLINK:MCS1:DATA	643
:SLOT0[1]2 3 4 5 6 7:GMSK:ENCryption:FIX4	643
:SLOT0[1]2 3 4 5 6 7:GMSK:ENCryption:TCH:FS:DATA	644
:SLOT0[1]2 3 4 5 6 7:GMSK:ENCryption:ULINK:MCS1:DATA	644

:SLOT0[1]2 3 4 5 6 7:GMSK:STeal	645
:SLOT0[1]2 3 4 5 6 7:GMSK:TSEquence	645
:SLOT0[1]2 3 4 5 6 7:MULTIslot	646
:SLOT0[1]2 3 4 5 6 7:NORMAl:ENCRyption	646
:SLOT0:NORMAl:ENCRyption:BCH:BCC	648
:SLOT0:NORMAl:ENCRyption:BCH:CELLId	649
:SLOT0:NORMAl:ENCRyption:BCH:LAC	649
:SLOT0:NORMAl:ENCRyption:BCH:MCC	649
:SLOT0:NORMAl:ENCRyption:BCH:MNC	650
:SLOT0:NORMAl:ENCRyption:BCH:PLMN	650
:SLOT0[1]2 3 4 5 6 7:NORMAl:ENCRyption:DLINK:MCS5:DATA	650
:SLOT0[1]2 3 4 5 6 7:NORMAl:ENCRyption:DLINK:MCS9:DATA	651
:SLOT0[1]2 3 4 5 6 7:NORMAl:ENCRyption:ETCH:F43:DATA	651
:SLOT0[1]2 3 4 5 6 7:NORMAl:ENCRyption:FIX4	652
:SLOT0[1]2 3 4 5 6 7:NORMAl:ENCRyption:ULINK:MCS5:DATA	652
:SLOT0[1]2 3 4 5 6 7:NORMAl:ENCRyption:ULINK:MCS9:DATA	653
:SLOT0[1]2 3 4 5 6 7:NORMAl:ENCRyption:UNCodeD	653
:SLOT0[1]2 3 4 5 6 7:NORMAl:GUARd	654
:SLOT0[1]2 3 4 5 6 7:NORMAl:T1	654
:SLOT0[1]2 3 4 5 6 7:NORMAl:T2	655
:SLOT0[1]2 3 4 5 6 7:NORMAl:TSEquence	655
:SLOT0[1]2 3 4 5 6 7:LCAPacity:POWer	655
:SLOT0[1]2 3 4 5 6 7:STAtE	656
:SLOT0[1]2 3 4 5 6 7[:TYPE]	656
:SOUT:	657
:SOUT:OFFSet	657
:SOUT:SLOT	658
:SRATe	658
:TRIGger:TYPE	660
:TRIGger:TYPE:CONTInuous[:TYPE]	660
:TRIGger:TYPE:GATE:ACTive	661
:TRIGger[:SOURce]	662
:TRIGger[:SOURce]:EXTernal:DELay	663
:TRIGger[:SOURce]:EXTernal:DELay:FINe	663
:TRIGger[:SOURce]:EXTernal:DELay:STAtE	664
:TRIGger[:SOURce]:EXTernal:SLOPe	664
:TRIGger[:SOURce]:EXTernal[:SOURce]	665
[:STAtE]	665

SCPI Command Reference, Volume 3

9. Receiver Test Digital Commands (continued)	667
3GPP W-CDMA HSPA Subsystem–Option 419 ([:SOURce]:RADio:WCDMa:HSPA[:BBG]) ..	668
File Overview	668
Managing ESG Setting Conflicts and Error Messages	670
:DLINK:APPLy	671
:DLINK:AWGN:CN	671
:DLINK:AWGN[:STATe]	672
:DLINK:BBCLock[:SOURce]	672
:DLINK:CPICH:CCODE	672
:DLINK:CPICH:POWer	673
:DLINK:CPICH[:STATe]	673
:DLINK:DPCH:CCODE	673
:DLINK:DPCH:DATA	674
:DLINK:DPCH:DATA:FIX4	674
:DLINK:DPCH:DCH[1] 2 3 4 5 6:BSIZe	675
:DLINK:DPCH:DCH[1] 2 3 4 5 6:CRC	675
:DLINK:DPCH:DCH[1] 2 3 4 5 6:CTYPe	676
:DLINK:DPCH:DCH[1] 2 3 4 5 6:DATA	676
:DLINK:DPCH:DCH[1] 2 3 4 5 6:DATA:FIX4	677
:DLINK:DPCH:DCH[1] 2 3 4 5 6:NBLocks	677
:DLINK:DPCH:DCH[1] 2 3 4 5 6:RMATtribute	678
:DLINK:DPCH:DCH[1] 2 3 4 5 6:TTI	678
:DLINK:DPCH:DCH[1] 2 3 4 5 6[:STATe]	678
:DLINK:DPCH:POWer	679
:DLINK:DPCH:SFORmat	679
:DLINK:DPCH:SSCoffset	680
:DLINK:DPCH:TFCI	680
:DLINK:DPCH:TOFFset	681
:DLINK:DPCH:TPC:NSTeps	681
:DLINK:DPCH:TPC:PATern	681
:DLINK:DPCH:TRPosition	682
:DLINK:DPCH[:STATe]	682
:DLINK:EAGCh:AGSCope	683
:DLINK:EAGCh:AGValue	683
:DLINK:EAGCh:CCODE	684
:DLINK:EAGCh:ERNTI	685

:DLINK:EAGCh:Power	685
:DLINK:EAGCh[:STATe]	685
:DLINK:EHICH:CCODE	686
:DLINK:EHICH:INDicator	686
:DLINK:EHICH:POWer	687
:DLINK:EHICH:SSINdex	687
:DLINK:EHICH:TOFFset	687
:DLINK:EHICH[:STATe]	688
:DLINK:ERGCh:CCODE	688
:DLINK:ERGCh:POWer	688
:DLINK:ERGCh:RGValue	689
:DLINK:ERGCh:SSINdex	689
:DLINK:ERGCh:TOFFset	690
:DLINK:ERGCh[:STATe]	690
:DLINK:FILTer	690
:DLINK:FILTer:ALPHa	691
:DLINK:FILTer:BBT	692
:DLINK:FILTer:CHANnel	692
:DLINK:HSBurst	692
:DLINK:HSDPa:AMC:CQIMapping:UECategory	693
:DLINK:HSDPa:AMC:CPATtern	693
:DLINK:HSDPa:FCONtrol	694
:DLINK:HSDPa:HARQ:APATtern	695
:DLINK:HSDPa:HARQ:MNHTrans	696
:DLINK:HSDPa:HARQ:RVSequence[1] 2 3 4 5 6 7 8	696
:DLINK:HSDPa[1] 2 3 4:BSINfo	697
:DLINK:HSDPa[1] 2 3 4:HSPDsch:COFFset	697
:DLINK:HSDPa[1] 2 3 4:HSPDsch:DATA	698
:DLINK:HSDPa[1] 2 3 4:HSPDSch:DATA:FIX4	698
:DLINK:HSDPa:HSPDsch:DSCH:DATA	699
:DLINK:HSDPa:HSPDSch:DSCH:DATA:FIX4	699
:DLINK:HSDPa:HSPDSch:DSCH:IRBSize	700
:DLINK:HSDPa:HSPDsch:NCODe	700
:DLINK:HSDPa[1] 2 3 4:HSPDsch:POWer	700
:DLINK:HSDPa[1] 2 3 4:HSPDsch:SFORmat	701
:DLINK:HSDPa[1] 2 3 4:HSPDsch[:STATe]	701
:DLINK:HSDPa[1] 2 3 4:HSSCch:CCODE	702
:DLINK:HSDPa[1] 2 3 4:HSSCch:DATA	702

Contents

:DLINK:HSDPa[1] 2 3 4:HSSCch:DATA:FIX4	703
:DLINK:HSDPa[1] 2 3 4:HSSCch:POWer	703
:DLINK:HSDPa[1] 2 3 4:ITTI	704
:DLINK:HSDPa[1] 2 3 4:ITTI:PATtern	704
:DLINK:HSDPa:NHPRocess	705
:DLINK:HSDPa[1] 2 3 4:RVParameter	705
:DLINK:HSDPa[1] 2 3 4:UEID	706
:DLINK:HSDPa[1] 2 3 4[:STATe]	706
:DLINK:OCNS[1] 2 3 4 5 6 7 8 9 10 11 12 13 14 15 16:CCODE	707
:DLINK:OCNS[1] 2 3 4 5 6 7 8 9 10 11 12 13 14 15 16:DATA	707
:DLINK:OCNS[1] 2 3 4 5 6 7 8 9 10 11 12 13 14 15 16:MODulation	708
:DLINK:OCNS[1] 2 3 4 5 6 7 8 9 10 11 12 13 14 15 16:POWer	708
:DLINK:OCNS[1] 2 3 4 5 6 7 8 9 10 11 12 13 14 15 16:SF	708
:DLINK:OCNS[1] 2 3 4 5 6 7 8 9 10 11 12 13 14 15 16:SSCoffset	709
:DLINK:OCNS[1] 2 3 4 5 6 7 8 9 10 11 12 13 14 15 16:TOFFset	709
:DLINK:OCNS[1] 2 3 4 5 6 7 8 9 10 11 12 13 14 15 16[:STATe]	710
:DLINK:PCCPch:BCH:DATA	710
:DLINK:PCCPch:BCH:DATA:FIX4	710
:DLINK:PCCPch:CCODE	711
:DLINK:PCCPch:POWer	711
:DLINK:PCCPch[:STATe]	712
:DLINK:PICH:CCODE	712
:DLINK:PICH:DATA	712
:DLINK:PICH:DATA:FIX4	713
:DLINK:PICH:POWer	713
:DLINK:PICH[:STATe]	714
:DLINK:POLarity	714
:DLINK:PSCH:POWer	714
:DLINK:PSCH[:STATe]	715
:DLINK:SCRamblecode	715
:DLINK:SSCH:POWer	715
:DLINK:SSCH[:STATe]	716
:DLINK:TXDiversity	716
:LINK	716
:ULINK:APPLy	717
:ULINK:AWGN:CN	717
:ULINK:AWGN[:STATe]	718
:ULINK:BBReference:EXTernal:MRATe	718

:ULINK:BBReference:EXTeRnal[:SOURce]	718
:ULINK:CRATe	719
:ULINK:DPCCh:CCODE	719
:ULINK:DPCCh:DATA	719
:ULINK:DPCCh:DATA:FIX4	720
:ULINK:DPCCh:FBI:PATTeRn	720
:ULINK:DPCCh:FBI:PATTeRn:FIX	720
:ULINK:DPCCh:POWeR	721
:ULINK:DPCCh:SFORmat	721
:ULINK:DPCCh:TFCI	722
:ULINK:DPCCh:TPC:NSTePs	722
:ULINK:DPCCh:TPC:PATTeRn	722
:ULINK:DPCCh[:STATe]	723
:ULINK:DPCCh:CCODE	723
:ULINK:DPDCh:DATA	724
:ULINK:DPDCh:DATA:FIX4	724
:ULINK:DPDCh:DCH[1] 2 3 4 5 6:BSIZE	725
:ULINK:DPDCh:DCH[1] 2 3 4 5 6:CRC	725
:ULINK:DPDCh:DCH[1] 2 3 4 5 6:CTYPe	726
:ULINK:DPDCh:DCH[1] 2 3 4 5 6:DATA	726
:ULINK:DPDCh:DCH[1] 2 3 4 5 6:DATA:FIX4	727
:ULINK:DPDCh:DCH[1] 2 3 4 5 6:NBLocks	727
:ULINK:DPDCh:DCH[1] 2 3 4 5 6:RMATtribute	728
:ULINK:DPDCh:DCH[1] 2 3 4 5 6:TTI	728
:ULINK:DPDCh:DCH2 3 4 5 6[:STATe]	728
:ULINK:DPDCh:POWeR	729
:ULINK:DPDCh:SFORmat	729
:ULINK:DPDCh[:STATe]	730
:ULINK:FCLock:INTeRval	730
:ULINK:FCLock:POLarity	730
:ULINK:FILTeR	731
:ULINK:FILTeR:ALPHa	731
:ULINK:FILTeR:BBT	732
:ULINK:FILTeR:CHANnel	732
:ULINK:FOFFset	733
:ULINK:HCONfig	733
:ULINK:HSDPcch:APATteRn	733
:ULINK:HSDPcch:APOWeR	734

Contents

:ULINK:HSDPcch:CCODE	734
:ULINK:HSDPcch:CPATtern	735
:ULINK:HSDPcch:CPOWer	735
:ULINK:HSDPcch:NPOWer	736
:ULINK:HSDPcch:SFDelay	736
:ULINK:HSDPcch[:STATe]	736
:ULINK:HSUPa:EDPCch:DATA	737
:ULINK:HSUPa:EDPCch:DATA:FIX4	737
:ULINK:HSUPa:EDPCch:POWer	737
:ULINK:HSUPa:EDPCch[:STATe]	738
:ULINK:HSUPa:EDPDch:DATA	738
:ULINK:HSUPa:EDPDch:DATA:FIX4	738
:ULINK:HSUPa:EDPDch:EDCH:DATA	739
:ULINK:HSUPa:EDPDch:EDCH:DATA:FIX4	739
:ULINK:HSUPa:EDPDch:MCCodes	740
:ULINK:HSUPa:EDPDch:PLNMax	741
:ULINK:HSUPa:EDPDch:POWer	741
:ULINK:HSUPa:EDPDch:SNPHchs	741
:ULINK:HSUPa:EDPDch[:STATe]	742
:ULINK:HSUPa:ETABle	742
:ULINK:HSUPa:ETFCi	743
:ULINK:HSUPa:HARQ:APATtern	743
:ULINK:HSUPa:HARQ:APATtern[:EXTErnal]:DELay	744
:ULINK:HSUPa:HARQ:APATtern[:EXTErnal]:INPut	744
:ULINK:HSUPa:HARQ:APATtern[:EXTErnal]:POLarity	745
:ULINK:HSUPa:HARQ:MNRTrans	745
:ULINK:HSUPa:HARQ[:MODE]	745
:ULINK:HSUPa:HARQ:HBIT	746
:ULINK:HSUPa:HPRocess	746
:ULINK:HSUPa:RSN	747
:ULINK:HSUPa:RVINdex	747
:ULINK:HSUPa:TFC:EPATtern[:EXTErnal]:DELay	747
:ULINK:HSUPa:TFC:EPATtern[:EXTErnal]:INPut	748
:ULINK:HSUPa:TFC:EPATtern[:EXTErnal]:POLarity	748
:ULINK:HSUPa:TFC:EPATtern	749
:ULINK:HSUPa:TFC[:ALT]:EDPCch:POWer	749
:ULINK:HSUPa:TFC[:ALT]:EDPDch:EDCH:DATA	750
:ULINK:HSUPa:TFC[:ALT]:EDPDch:EDCH:DATA:FIX4	750

:ULINK:HSUPa:TFC[:ALT]:EDPDch:POWer	751
:ULINK:HSUPa:TFC[:ALT]EDPDch:SNPHchs	751
:ULINK:HSUPa:TFC[:ALT]:ETABle	752
:ULINK:HSUPa:TFC[:ALT]:ETFCI	752
:ULINK:HSUPa:TTI	752
:ULINK:HSUPa[:STATe]	753
:ULINK:NMDPch	753
:ULINK:POLarity	753
:ULINK:SCRamblecode	754
:ULINK:SDElay	754
:ULINK:SFNRst:POLarity	754
:ULINK:SYNC:MODE	755
:ULINK:SYNC[:SOURce]	755
:ULINK:TGAP:PSI[1]:CFN	756
:ULINK:TGAP:PSI[1]:D	756
:ULINK:TGAP:PSI[1]:L1	756
:ULINK:TGAP:PSI[1]:L2	757
:ULINK:TGAP:PSI[1]:PL1	757
:ULINK:TGAP:PSI[1]:PRC	757
:ULINK:TGAP:PSI[1]:PS	757
:ULINK:TGAP:PSI[1]:SN	758
:ULINK:TOFFset	758
:ULINK:TPControl:PATtern	759
:ULINK:TPControl:PATtern[:EXternal]:INPut	759
:ULINK:TPControl:PATtern[:EXternal]:POLarity	759
:ULINK:TPControl:POWer:INITial	760
:ULINK:TPControl:POWer:MAXimum	760
:ULINK:TPControl:POWer:MINimum	761
:ULINK:TPControl:POWer:STEP	761
:ULINK:TPControl[:STATe]	762
[:STATe]	762
GPS Subsystem–Option 409 ([:SOURce]:RADio[1] 2 3 4:GPS)	763
:DATA	763
:DMODE	763
:DSHift	764
:FILTer	764
:FILTer:ALPHa	765
:FILTer:BBT	766

Contents

:FILTer:CHANnel	766
:IQPHase	767
:PCODE	767
:RCODE	767
:REFClk	768
:REFFreq.	768
:SATid	769
[:STATe]	769
GSM Subsystem–Option 402 ([:SOURce]:RADio:GSM).	770
:ALPha	770
:BBCLock	770
:BBT	771
:BRATe	771
:BURSt:PN9	772
:BURSt:SHAPe:FALL:DELay	773
:BURSt:SHAPe:FALL:TIME	773
:BURSt:SHAPe:FDELay	774
:BURSt:SHAPe:FTIME	775
:BURSt:SHAPe:RDELay	775
:BURSt:SHAPe:RISE:DELay	776
:BURSt:SHAPe:RISE:TIME	777
:BURSt:SHAPe:RTIME	777
:BURSt:SHAPe[:TYPE].	778
:BURSt[:STATe].	778
:CHANnel	779
:DATA	779
:DATA:PRAM.	780
:DATA:FIX4	780
:DEFault	780
:DENCode.	781
EDATa:DELay	781
:EDCLock	781
:EREference	782
:EREference:VALue.	782
:FILTer	783
:IQ:SCALE	784
:MODulation:FSK[:DEViation]	784
:MODulation:MSK[:PHASe]	785

:MODulation:UFSK	785
:MODulation:UIQ	785
:MODulation[:TYPE]	786
:POLarity[:ALL]	786
:SECondary:RECall	787
:SECondary:SAVE	787
:SECondary:TRIGger[:SOURce]	787
:SECondary[:STATe]	788
:SLOT0 [1] 2 3 4 5 6 7:ACCess:ENCRyption	788
:SLOT0 [1] 2 3 4 5 6 7:ACCess:ENCRyption:FIX4	788
:SLOT0 [1] 2 3 4 5 6 7:ACCess:ETAil	789
:SLOT0 [1] 2 3 4 5 6 7:ACCess:SSEquence	789
:SLOT0 [1] 2 3 4 5 6 7:ACCess:CUSTom	789
:SLOT0 [1] 2 3 4 5 6 7:CUSTom:FIX4	790
:SLOT0 [1] 2 3 4 5 6 7:DUMMy:TSEquence	790
:SLOT0 [1] 2 3 4 5 6 7:MULTIslot	790
SLOT0 [1] 2 3 4 5 6 7:NORMal:ENCRyption	791
:SLOT0:NORMal:ENCRyption:BCH1:BCC	793
:SLOT0:NORMal:ENCRyption:BCH1:CELLid	793
:SLOT0:NORMal:ENCRyption:BCH1:LAC	793
:SLOT0:NORMal:ENCRyption:BCH1:MCC	794
:SLOT0:NORMal:ENCRyption:BCH1:MNC	794
:SLOT0:NORMal:ENCRyption:BCH1:PLMN	794
:SLOT0 [1] 2 3 4 5 6 7:NORMal:ENCRyption:CS1:DATA	795
:SLOT0 [1] 2 3 4 5 6 7:NORMal:ENCRyption:CS4:DATA	795
:SLOT0 [1] 2 3 4 5 6 7:NORMal:ENCRyption:DLINK:MCS1:DATA	795
:SLOT0 [1] 2 3 4 5 6 7:NORMal:ENCRyption:FIX4	796
:SLOT0 [1] 2 3 4 5 6 7:NORMal:ENCRyption:TCH:FS:DATA	796
:SLOT0 [1] 2 3 4 5 6 7:NORMal:ENCRyption:ULINK:MCS1:DATA	796
:SLOT0 [1] 2 3 4 5 6 7:NORMal:STeal	797
:SLOT0 [1] 2 3 4 5 6 7:NORMal:TSEquence	797
:SLOT0 [1] 2 3 4 5 6 7:POWer	798
:SLOT0 [1] 2 3 4 5 6 7:STATe	798
:SLOT0 [1] 2 3 4 5 6 7:SYNC:ENCRyption	798
:SLOT0 [1] 2 3 4 5 6 7:SYNC:ENCRyption:FIX4	799
:SLOT0 [1] 2 3 4 5 6 7:SYNC:TSEquence	799
:SLOT0 [1] 2 3 4 5 6 7[:TYPE]	799
:SOUT	800

Contents

:SOUT:OFFSet	800
:SOUT:SLOT	801
:SRATe	801
:TRIGger:EXtErnal:DELay	802
:TRIGger:TYPE	803
:TRIGger:TYPE:CONTInuous[:TYPE]	803
:TRIGger:TYPE:GATE:ACTive.	804
:TRIGger[:SOURce]	804
:TRIGger[:SOURce]:EXtErnal:DELay	805
:TRIGger[:SOURce]:EXtErnal:DELay:FINE	806
:TRIGger[:SOURce]:EXtErnal:DELay:STATe	806
:TRIGger[:SOURce]:EXtErnal:SLOPe	806
:TRIGger[:SOURce]:EXtErnal[:SOURce]	807
[:STATe]	808
HSDPA over W-CDMA Subsystem–Option 418 ([:SOURce]:RADio:WCDMa:HSDPa[:BBG])	809
File Overview	809
Managing ESG Setting Conflicts and Error Messages	811
:DLINK:APPLy	811
:DLINK:AWGN:CN	812
:DLINK:AWGN[:STATe]	812
:DLINK:BBClock[:SOURce]	812
:DLINK:CPICH:CCODE	813
:DLINK:CPICH:POWer	813
:DLINK:CPICH[:STATe]	813
:DLINK:DPCH:CCODE	813
:DLINK:DPCH:DATA	814
:DLINK:DPCH:DATA:FIX4	814
:DLINK:DPCH:DCH[1] 2 3 4 5 6:BSIZe	815
:DLINK:DPCH:DCH[1] 2 3 4 5 6:CTYPe	815
:DLINK:DPCH:DCH[1] 2 3 4 5 6:CRc	816
:DLINK:DPCH:DCH[1] 2 3 4 5 6:DATA	816
:DLINK:DPCH:DCH[1] 2 3 4 5 6:DATA:FIX4	816
:DLINK:DPCH:DCH[1] 2 3 4 5 6:NBLOCKS	817
:DLINK:DPCH:DCH[1] 2 3 4 5 6:RMATtribute	817
:DLINK:DPCH:DCH[1] 2 3 4 5 6:TTI	818
:DLINK:DPCH:DCH2 3 4 5 6[:STATe]	818
:DLINK:DPCH:POWer	818
:DLINK:DPCH:SFORmat	819

:DLINK:DPCH:SSCOffset	819
:DLINK:DPCH:TFCI	820
:DLINK:DPCH:TOFFset	820
:DLINK:DPCH:TPC:NSTeps	821
:DLINK:DPCH:TPC:PATtern	821
:DLINK:DPCH:TRPosition	822
:DLINK:DPCH[:STATe]	822
:DLINK:FILTer	822
:DLINK:FILTer:ALPHa	823
:DLINK:FILTer:BBT	823
:DLINK:FILTer:CHANnel	824
:DLINK:HSBurst	824
:DLINK:HSDPa:AMC:CQIMapping:UECategory	825
:DLINK:HSDPa:AMC:CPATtern	825
:DLINK:HSDPa:FCONtrol	826
:DLINK:HSDPa:HARQ:APATtern	827
:DLINK:HSDPa:HARQ:MNHTrans	827
:DLINK:HSDPa:HARQ:RVSequence[1] 2 3 4 5 6 7 8	828
:DLINK:HSDPa[1] 2 3 4:BSINfo	829
:DLINK:HSDPa[1] 2 3 4:HSPDSch:COFFset	829
:DLINK:HSDPa[1] 2 3 4:HSPDSch:DATA	829
:DLINK:HSDPa[1] 2 3 4:HSPDSch:DATA:FIX4	830
:DLINK:HSDPa:HSPDSch:DSCH:DATA	830
:DLINK:HSDPa:HSPDSch:DSCH:DATA:FIX4	831
:DLINK:HSDPa:HSPDSch:DSCH:IRBSize	831
:DLINK:HSDPa:HSPDSch:NCODE	832
:DLINK:HSDPa[1] 2 3 4:HSPDSch:POWer	832
:DLINK:HSDPa[1] 2 3 4:HSPDSch:SFORmat	833
:DLINK:HSDPa[1] 2 3 4:HSPDSch[:STATe]	833
:DLINK:HSDPa[1] 2 3 4:HSSCch:CCODE	834
:DLINK:HSDPa[1] 2 3 4:HSSCch:DATA	834
:DLINK:HSDPa[1] 2 3 4:HSSCch:DATA:FIX4	835
:DLINK:HSDPa[1] 2 3 4:HSSCch:POWer	835
:DLINK:HSDPa[1] 2 3 4:ITTI	836
:DLINK:HSDPa[1] 2 3 4:ITTI:PATtern	836
:DLINK:HSDPa:NHPRocess	837
:DLINK:HSDPa[1] 2 3 4:RVParameter	837
:DLINK:HSDPa[1] 2 3 4:UEID	838

Contents

:DLINK:HSDPa[1] 2 3 4[:STATe]	838
:DLINK:OCNS[1] 2 3 4 5 6 7 8 9 10 11 12 13 14 15 16:CCODE	839
:DLINK:OCNS[1] 2 3 4 5 6 7 8 9 10 11 12 13 14 15 16:DATA	839
:DLINK:OCNS[1] 2 3 4 5 6 7 8 9 10 11 12 13 14 15 16:POWer	840
:DLINK:OCNS[1] 2 3 4 5 6 7 8 9 10 11 12 13 14 15 16:SSCOffset	840
:DLINK:OCNS[1] 2 3 4 5 6 7 8 9 10 11 12 13 14 15 16:TOFFset	841
:DLINK:OCNS[1] 2 3 4 5 6 7 8 9 10 11 12 13 14 15 16[:STATe].	841
:DLINK:PCCPch:BCH:DATA	841
:DLINK:PCCPch:BCH:DATA:FIX4	842
:DLINK:PCCPch:CCODE	842
:DLINK:PCCPch:POWer	843
:DLINK:PCCPch[:STATe].	843
:DLINK:PICH:CCODE	843
:DLINK:PICH:DATA	844
:DLINK:PICH:DATA:FIX4	844
:DLINK:PICH:POWer	845
:DLINK:PICH[:STATe].	845
:DLINK:POLarity	845
:DLINK:PSCH:POWer	846
:DLINK:PSCH[:STATe]	846
:DLINK:SCRamblecode	846
:DLINK:SSCH:POWer	847
:DLINK:SSCH[:STATe]	847
:DLINK:TXDiversity	847
:LINK	848
:ULINK:APPLy	848
:ULINK:AWGN:CN	848
:ULINK:AWGN[:STATe]	849
:ULINK:BBReference:EXternal:MRATe	849
:ULINK:BBReference[:SOURce].	849
:ULINK:DPCCh:CCODE	850
:ULINK:DPCCh:DATA	850
:ULINK:DPCCh:DATA:FIX4	851
:ULINK:DPCCh:FBI:PATtern	851
:ULINK:DPCCh:FBI:PATtern:FIX	852
:ULINK:DPCCh:POWer	852
:ULINK:DPCCh:SFOrmat	853
:ULINK:DPCCh[:STATe]	853

:ULINK:DPCCh:TFCI	853
:ULINK:DPCCh:TPC:NSTeps	854
:ULINK:DPCCh:TPC:PATtern	854
:ULINK:DPDCh:CCODE	855
:ULINK:DPDCh:DATA	855
:ULINK:DPDCh:DATA:FIX4	855
:ULINK:DPDCh:DCH[1] 2 3 4 5 6:BSIZE.	856
:ULINK:DPDCh:DCH[1] 2 3 4 5 6:CRC	856
:ULINK:DPDCh:DCH[1] 2 3 4 5 6:CTYPe	856
:ULINK:DPDCh:DCH[1] 2 3 4 5 6:DATA.	857
:ULINK:DPDCh:DCH[1] 2 3 4 5 6:DATA:FIX4.	857
:ULINK:DPDCh:DCH[1] 2 3 4 5 6:NBLocks	858
:ULINK:DPDCh:DCH[1] 2 3 4 5 6:RMATtribute	858
:ULINK:DPDCh:DCH[1] 2 3 4 5 6:TTI.	859
:ULINK:DPDCh:DCH2 3 4 5 6[:STATe].	859
:ULINK:DPDCh:POWER	860
:ULINK:DPDCh:SFORmat	860
:ULINK:DPDCh[:STATe]	860
:ULINK:FCLock:INTerval	861
:ULINK:FCLock:POLarity	861
:ULINK:FILTer	862
:ULINK:FILTer:ALPHa	862
:ULINK:FILTer:BBT	863
:ULINK:FILTer:CHANnel.	863
:ULINK:FOFFset.	864
:ULINK:HSDPcch:APATtern	864
:ULINK:HSDPcch:APOWER	865
:ULINK:HSDPcch:CCODE	865
:ULINK:HSDPcch:CPATtern.	865
:ULINK:HSDPcch:CPOWER	866
:ULINK:HSDPcch:NPOWER	866
:ULINK:HSDPcch:SFDelay	866
:ULINK:HSDPcch[:STATe].	867
:ULINK:POLarity	867
:ULINK:SCRamblecode	867
:ULINK:SDElay	868
:ULINK:SFNRst:POLarity	868
:ULINK:SYNC:MODE	869

Contents

:ULINK:SYNC[:SOURce]	869
:ULINK:TOFFset	869
[:STATe]	870
NADC Subsystem–Option 402 ([:SOURce]:RADio[:NADC])	871
:ALPha	871
:BBCLock	871
:BBT	872
:BRATe	872
:BURSt:PN9	873
:BURSt:SHAPE[:TYPE]	874
:BURSt:SHAPE:FALL:DELay	874
:BURSt:SHAPE:FALL:TIME	875
:BURSt:SHAPE:FDELay	875
:BURSt:SHAPE:FTIME	876
:BURSt:SHAPE:RDELay	877
:BURSt:SHAPE:RISE:DELay	877
:BURSt:SHAPE:RISE:TIME	878
:BURSt:SHAPE:RTIME	879
:BURSt[:STATe]	879
:BURSt:SHAPE[:TYPE]	880
:CHANnel	880
:DATA	881
:DATA:PRAM	881
:DATA:FIX4	882
:DEFault	882
:EDATa:DELay	882
:EDCLock	883
:EREFerence	883
:EREFerence:VALue	884
:FILTer	884
:FRATe	885
:IQ:SCALE	885
:MODulation:FSK[:DEViation]	886
:MODulation:MSK[:PHASe]	886
:MODulation:UFSK	886
:MODulation:UIQ	887
:MODulation[:TYPE]	887
:REPeat	888

:POLarity[:ALL]	888
:SECondary:RECall	888
:SECondary:SAVE	889
:SECondary:TRIGger[:SOURce]	889
:SECondary[:STAtE]	889
:SLOT[1] 2 3 4 5 6:DCUStom	890
:SLOT[1] 2 3 4 5 6:DCUStom:FIX4	890
:SLOT[1] 2 3 4 5 6:DTCHannel:CDLocator	891
:SLOT[1] 2 3 4 5 6:DTCHannel:CDVCcode	891
:SLOT[1] 2 3 4 5 6:DTCHannel:SACChannel	891
:SLOT[1] 2 3 4 5 6:DTCHannel:SWORd	892
:SLOT[1] 2 3 4 5 6:DTCHannel[:DATA]	892
:SLOT[1] 2 3 4 5 6:DTCHannel[:DATA]FIX4	893
:SLOT[1] 2 3 4 5 6:POWer	893
:SLOT[1] 2 3 4 5 6:STAtE	893
:SLOT[1] 2 3 4 5 6:UCUStom	894
:SLOT[1] 2 3 4 5 6:UCUStom:FIX4	894
:SLOT[1] 2 3 4 5 6:UTCHannel:CDVCcode	894
:SLOT[1] 2 3 4 5 6:UTCHannel:SACChannel	895
:SLOT[1] 2 3 4 5 6:UTCHannel:SWORd	895
:SLOT[1] 2 3 4 5 6:UTCHannel[:DATA]	895
:SLOT[1] 2 3 4 5 6:UTCHannel[:DATA]:FIX4	896
:SLOT[1] 2 3 4 5 6[:TYPE]	896
:SOUT	897
:SOUT:OFFSet	897
:SOUT:SLOT	898
:SRATe	898
:TRIGger:TYPE	899
:TRIGger:TYPE:CONTInuous[:TYPE]	900
:TRIGger:TYPE:GATE:ACTive	901
:TRIGger[:SOURce]	901
:TRIGger[:SOURce]:EXTernal:DELay	902
:TRIGger[:SOURce]:EXTernal:DELay:STAtE	903
:TRIGger[:SOURce]:EXTernal:SLOPe	903
:TRIGger[:SOURce]:EXTernal[:SOURce]	903
[:STAtE]	904
PDC Subsystem–Option 402 ([:SOURce]:RADio:PDC)	905
:ALPha	905

Contents

:BBCLock	905
:BBT	906
:BRATe	906
:BURSt:PN9	907
:BURSt:SHAPE:FALL:DELay	908
:BURSt:SHAPE:FALL:TIME	908
:BURSt:SHAPE:FDELay	909
:BURSt:SHAPE:FTIME	910
:BURSt:SHAPE:RDELay	910
:BURSt:SHAPE:RISE:DELay	911
:BURSt:SHAPE:RISE:TIME	912
:BURSt:SHAPE:RTIME	912
:BURSt:SHAPE[:TYPE]	913
:BURSt[:STATE]	913
:CHANnel	914
:DATA	914
:DATA:PRAM	915
:DATA:FIX4	915
:DEFault	915
:EDATa:DELay	916
:EDCLock	916
:EREFerence	916
:EREFerence:VALue	917
:FILTer	917
:FRATe	918
:IQ:SCALE	918
:MODulation:FSK[:DEViation]	919
:MODulation:MSK[:PHASe]	919
:MODulation:UFSK	920
:MODulation:UIQ	920
:MODulation[:TYPE]	920
:POLarity[:ALL]	921
:SECondary:RECall	921
:SECondary:SAVE	921
:SECondary:TRIGger[:SOURce]	922
:SECondary[:STATE]	922
:SLOT0[1]2 3 4 5:DCUStom	923
:SLOT0[1]2 3 4 5:DCUStom:FIX4	923

:SLOT0[1]2 3 4 5:DTCHannel:CCODE	923
:SLOT0[1]2 3 4 5:DTCHannel:SACChannel	924
:SLOT0[1]2 3 4 5:DTCHannel:SWORd	924
:SLOT0[1]2 3 4 5:DTCHannel[:TCHannel]	924
:SLOT0[1]2 3 4 5:DTCHannel[:TCHannel]:FIX4	925
:SLOT0[1]2 3 4:POWer	925
:SLOT0[1]2 3 4 5:STATe	926
:SLOT0[1]2 3 4 5:UCUStom	926
:SLOT0[1]2 3 4 5:UCUStom:FIX4	926
:SLOT0[1]2 3 4 5:UTCHannel:CCODE	927
:SLOT0[1]2 3 4 5:UTCHannel:SACChannel	927
:SLOT0[1]2 3 4 5:UTCHannel:SWORd	927
:SLOT0[1]2 3 4 5:UTCHannel[:TCHannel]	928
:SLOT0[1]2 3 4 5:UTCHannel[:TCHannel]:FIX4	928
:SLOT0[1]2 3 4 5:UVOX:CCODE	929
:SLOT0[1]2 3 4 5:UVOX:SACChannel	929
:SLOT0[1]2 3 4 5:UVOX:SWORd	929
:SLOT0[1]2 3 4 5[:TYPE]	930
:SOUT	930
:SOUT:OFFSet	930
:SOUT:SLOT	931
:SRATe	931
:TRIGger:TYPE	933
:TRIGger:TYPE:CONTInuous[:TYPE]	933
:TRIGger:TYPE:GATE:ACTive	934
:TRIGger[:SOURce]	934
:TRIGger[:SOURce]:EXTernal:DELay	935
:TRIGger[:SOURce]:EXTernal:DELay:STATe	936
:TRIGger[:SOURce]:EXTernal:SLOPe	936
:TRIGger[:SOURce]:EXTernal[:SOURce]	937
[:STATe]	937
PHS Subsystem–Option 402 ([:SOURce]:RADio:PHS)	938
:ALPha	938
:BBCLock	938
:BBT	939
:BRATe	939
:BURSt:PN9	940
:BURSt:SCRamble:SEED	941

Contents

:BURSt:SCRamble[:STATe].	941
:BURSt:SHAPE:FALL:DELay	942
:BURSt:SHAPE:FALL:TIME	942
:BURSt:SHAPE:FDELay	943
:BURSt:SHAPE:FTIME	944
:BURSt:SHAPE:RDELay	944
:BURSt:SHAPE:RISE:DELay	945
:BURSt:SHAPE:RISE:TIME	946
:BURSt:SHAPE:RTIME	946
:BURSt:SHAPE[:TYPE].	947
:BURSt[:STATe].	947
:CHANnel	948
:DATA	948
:DATA:PRAM.	949
:DATA:FIX4	949
:DEFault	949
:DLINK:SLOT[1] 2 3 4:CUSTom	950
:DLINK:SLOT[1] 2 3 4:CUSTom:FIX4	950
:DLINK:SLOT[1] 2 3 4:POWer	950
:DLINK:SLOT[1] 2 3 4:SCHannel:CSID	951
:DLINK:SLOT[1] 2 3 4:SCHannel:IDLE	951
:DLINK:SLOT[1] 2 3 4:SCHannel:PSID	951
:DLINK:SLOT[1] 2 3 4:SCHannel:UWORD.	952
:DLINK:SLOT[1] 2 3 4:STATe	952
:DLINK:SLOT[1] 2 3 4:TCHannel:SACChannel	952
:DLINK:SLOT[1] 2 3 4:TCHannel:UWORD.	953
:DLINK:SLOT[1] 2 3 4:TCHannel[:TCHannel].	953
:DLINK:SLOT[1] 2 3 4:TCHannel[:TCHannel]:FIX4	953
:DLINK:SLOT[1] 2 3 4[:TYPE]	954
:EDATa:DELay	954
:EDCLock	954
:EREference	955
:EREference:VALue.	955
:FILTer	956
:IQ:SCALE	957
:MODulation:FSK[:DEViation]	957
:MODulation:MSK[:PHASe]	958
:MODulation:UFSK	958

:MODulation:UIQ	958
:MODulation[:TYPE]	959
:POLarity[:ALL]	959
:SECondary:RECall	959
:SECondary:SAVE	960
:SECondary:TRIGger[:SOURce]	960
:SECondary[:STATe]	960
:SOUT	961
:SOUT:OFFSet	961
:SOUT:SLOT	962
:SRATe	962
:TRIGger:TYPE	963
:TRIGger:TYPE:CONTinuous[:TYPE]	964
:TRIGger:TYPE:GATE:ACTive	965
:TRIGger[:SOURce]:EXTernal:DELay	965
:TRIGger[:SOURce]:EXTernal:DELay:STATe	966
:TRIGger[:SOURce]:EXTernal:SLOPe	966
:TRIGger[:SOURce]:EXTernal[:SOURce]	966
:TRIGger[:SOURce]	967
:ULINK:SLOT[1]2 3 4:CUSTom	968
:ULINK:SLOT[1]2 3 4:CUSTom:FIX4	969
:ULINK:SLOT[1]2 3 4:POWer	969
:ULINK:SLOT[1]2 3 4:SCHannel:CSID	969
:ULINK:SLOT[1]2 3 4:SCHannel:IDLE	970
:ULINK:SLOT[1]2 3 4:SCHannel:PSID	970
:ULINK:SLOT[1]2 3 4:SCHannel:UWORD	970
:ULINK:SLOT[1]2 3 4:STATe	971
:ULINK:SLOT[1]2 3 4:TCHannel:SACChannel	971
:ULINK:SLOT[1]2 3 4:TCHannel:UWORD	971
:ULINK:SLOT[1]2 3 4:TCHannel[:TCHannel]	972
:ULINK:SLOT[1]2 3 4:TCHannel[:TCHannel:FIX4]	972
:ULINK:SLOT[1]2 3 4[:TYPE]	972
[:STATe]	973
TETRA Subsystem–Option 402 ([:SOURce]:RADio:TETRa)	974
:ALPha	974
:BBCLock	974
:BBT	975
:BRATe	975

Contents

:BURSt:PN9	976
:BURSt:SCRamble:SEED	977
:BURSt:SCRamble[:STATe]	977
:BURSt:SHAPE:FALL:DELAy	977
:BURSt:SHAPE:FALL:TIME	978
:BURSt:SHAPE:FDELAy	979
:BURSt:SHAPE:FTIME	979
:BURSt:SHAPE:RDELAy	980
:BURSt:SHAPE:RISE:DELAy	981
:BURSt:SHAPE:RISE:TIME	981
:BURSt:SHAPE:RTIME	982
:BURSt:SHAPE[:TYPE]	983
:BURSt[:STATe]	983
:CHANnel	984
:DATA	984
:DATA:PRAM.	985
:DATA:FIX4	985
:DEFault	986
:EDATa:DELAy	986
:EDCLock	986
:EREFerence	987
:EREFerence:VALue	987
:FILTer	988
:IQ:SCALE	989
:MODulation:FSK[:DEViation]	989
:MODulation:MSK[:PHASe]	990
:MODulation:UFSK	990
:MODulation:UIQ	990
:MODulation[:TYPE]	991
:POLarity[:ALL]	991
:SECOndary:RECall	992
:SECOndary:SAVE	992
:SECOndary:TRIGger[:SOURce]	992
:SECOndary[:STATe]	993
:SLOT[1] 2 3 4:DCCustom	993
:SLOT[1] 2 3 4:DCCustom:FIX4	993
:DCNormal:B1	994
:DCNormal:B2	994

:SLOT[1] 2 3 4:DCNormal:TSEquence	994
:SLOT[1] 2 3 4:DCNormal[:DATA]	995
:SLOT[1] 2 3 4:DCNormal[:DATA]:FIX4	995
:SLOT[1] 2 3 4:DCSync:B	996
:SLOT[1] 2 3 4:DCSync:FCOR	996
:SLOT[1] 2 3 4:DCSync:SSB	996
:SLOT[1] 2 3 4:DCSync:STS	997
:SLOT[1] 2 3 4:DCSync[:DATA]	997
:SLOT[1] 2 3 4:DCSync[:DATA]:FIX4	997
:SLOT[1] 2 3 4:DDCustom	998
:SLOT[1] 2 3 4:DDCustom:FIX4	998
:SLOT[1] 2 3 4:DDNormal:B1	999
:SLOT[1] 2 3 4:DDNormal:B2	999
:SLOT[1] 2 3 4:DDNormal:TSEquence	999
:SLOT[1] 2 3 4:DDNormal[:DATA]	1000
:SLOT[1] 2 3 4:DDNormal[:DATA]:FIX4	1000
:SLOT[1] 2 3 4:DDSync:B	1001
:SLOT[1] 2 3 4:DDSync:FCOR	1001
:SLOT[1] 2 3 4:DDSync:SSB	1001
:SLOT[1] 2 3 4:DDSync:STS	1002
:SLOT[1] 2 3 4:DDSync[:DATA]	1002
:SLOT[1] 2 3 4:DDSync[:DATA]:FIX4	1002
:SLOT[1] 2 3 4:POWer	1003
:SLOT[1] 2 3 4:STATe	1003
:SLOT[1] 2 3 4:UC1:TSEquence	1003
:SLOT[1] 2 3 4:UC1[:DATA]	1004
:SLOT[1] 2 3 4:UC1[:DATA]:FIX4	1004
:SLOT[1] 2 3 4:UC2:TSEquence	1004
:SLOT[1] 2 3 4:UC2[:DATA]	1005
:SLOT[1] 2 3 4:UC2[:DATA]:FIX4	1005
:SLOT[1] 2 3 4:UCUStom.	1005
:SLOT[1] 2 3 4:UCUStom:FIX4	1006
:SLOT[1] 2 3 4:UNORmal:TSEquence	1006
:SLOT[1] 2 3 4:UNORmal[:DATA]	1006
:SLOT[1] 2 3 4:UNORmal[:DATA]:FIX4	1007
:SLOT[1] 2 3 4[:TYPE]	1007
:SOUT	1008
:SOUT:OFFSet	1008

Contents

:SOUT:SLOT	1009
:SRAtE	1009
:TRIGger:TYPE	1011
:TRIGger:TYPE:CONTInuous[:TYPE]	1011
:TRIGger:TYPE:GATE:ACTive.	1012
:TRIGger[:SOURce]	1013
:TRIGger[:SOURce]:EXTernal:DELay	1014
:TRIGger[:SOURce]:EXTernal:DELay:STATe	1014
:TRIGger[:SOURce]:EXTernal:SLOPe	1015
:TRIGger[:SOURce]:EXTernal[:SOURce]	1015
[:STATe]	1016
Wideband CDMA Base Band Generator Subsystem–Option 400	
([:SOURce]:RADio:WCDMa:TGPP[:BBG])	1017
:BBCLock.	1017
:BBCLock:EXT:RATE	1017
:DLINK:APPLy	1018
:DLINK:AWGN:CN	1018
:DLINK:AWGN:CPOWer	1018
:DLINK:AWGN:ECNO.	1019
:DLINK:AWGN:ECRPower	1019
:DLINK:AWGN:ECRef.	1019
:DLINK:AWGN:FNBW	1020
:DLINK:AWGN:NPOWer	1020
:DLINK:AWGN:TICPower.	1020
:DLINK:AWGN[:STATe]	1021
:DLINK:BBCLock	1021
:DLINK:CARB:CMODE:CCODE	1021
:DLINK:CARB:CMODE:DATA	1022
:DLINK:CARB:CMODE:FOFFset	1022
:DLINK:CARB:CMODE:FSTRuct	1022
:DLINK:CARB:CMODE:POWer	1023
:DLINK:CARB:CMODE:PRATio	1023
:DLINK:CARB:CMODE:SCTYpe	1023
:DLINK:CARB:CMODE:SFORmat	1024
:DLINK:CARB:CMODE:SSCodeos	1024
:DLINK:CARB:CMODE:TFIRst	1025
:DLINK:CARB:CMODE:TGL	1025
:DLINK:CARB:CMODE[:STATe]	1025
:DLINK:CPICh:CCODE	1026

:DLINK:CPICH:POWer	1026
:DLINK:CPICH[:STATe]	1026
:DLINK:CRATe	1027
:DLINK:DPCH[1]:BALance	1027
:DLINK:DPCH[1]:BINitalize	1027
:DLINK:DPCH[1]2:ALL[:STATe]	1028
:DLINK:DPCH[1]2:CCODE	1028
:DLINK:DPCH[1]2:DATA	1028
:DLINK:DPCH[1]2:DATA:FIX4	1029
:DLINK:DPCH[1]2:POWer	1029
:DLINK:DPCH[1]2:RCSetup	1030
:DLINK:DPCH[1]2:SLOTformat	1031
:DLINK:DPCH[1]2:SRATe	1031
:DLINK:DPCH[1]2:SSCodeos	1031
:DLINK:DPCH[1]2:TFCI:PATtern	1032
:DLINK:DPCH[1]2:TOFFset	1032
:DLINK:DPCH[1]2:TPC:NUMSteps	1033
:DLINK:DPCH[1]2:TPC:PATtern	1033
:DLINK:DPCH[1]2[:STATe]	1034
:DLINK:FILTer	1034
:DLINK:FILTer:ALPHA	1035
:DLINK:FILTer:BBT	1035
:DLINK:FILTer:CHANnel	1036
:DLINK:MSYNc	1036
:DLINK:OCNS[1]2 3 4 5 6 7 8 9 10 11 12 13 14 15 16:ALL[:STATe]	1036
:DLINK:OCNS[1]2 3 4 5 6 7 8 9 10 11 12 13 14 15 16:CCODE	1037
:DLINK:OCNS[1]2 3 4 5 6 7 8 9 10 11 12 13 14 15 16:DATA	1037
:DLINK:OCNS[1]2 3 4 5 6 7 8 9 10 11 12 13 14 15 16:POWer	1037
:DLINK:OCNS[1]2 3 4 5 6 7 8 9 10 11 12 13 14 15 16:SRATe	1038
:DLINK:OCNS[1]2 3 4 5 6 7 8 9 10 11 12 13 14 15 16:SSCodeos	1038
:DLINK:OCNS[1]2 3 4 5 6 7 8 9 10 11 12 13 14 15 16:TOFFset	1039
:DLINK:OCNS[1]2 3 4 5 6 7 8 9 10 11 12 13 14 15 16[:STATe]	1039
:DLINK:OOSTest[:STATe]	1039
:DLINK:OOSTest:DTXGate:POLarity	1040
:DLINK:PADJust	1040
:DLINK:PCCPch:BCHData	1040
:DLINK:PCCPch:BCHData:FIX4	1041
:DLINK:PCCPch:CCODE	1041

Contents

:DLINK:PCCPch:POWer	1041
:DLINK:PCCPch[:STATe]	1042
:DLINK:PICH:CCODE	1042
:DLINK:PICH:DATA	1042
:DLINK:PICH:DATA:FIX4	1043
:DLINK:PICH:PIBits	1043
:DLINK:PICH:PINDicator	1043
:DLINK:PICH:POWer	1044
:DLINK:PICH[:STATe]	1044
:DLINK:POLarity	1044
:DLINK:PSCH:POWer	1045
:DLINK:PSCH[:STATe]	1045
:DLINK:RPANel:INPut:ALTPower	1045
:DLINK:RPANel:INPut:BBGRef	1046
:DLINK:RPANel:INPut:BGATe	1046
:DLINK:RPANel:INPut:PTRigger1	1046
:DLINK:RPANel:INPut:PTRigger2	1047
:DLINK:RPANel:OUTPut:DCLock	1047
:DLINK:RPANel:OUTPut:DOUT	1049
:DLINK:RPANel:OUTPut:EVENT1	1050
:DLINK:RPANel:OUTPut:EVENT2	1050
:DLINK:RPANel:OUTPut:EVENT3	1051
:DLINK:RPANel:OUTPut:EVENT4	1051
:DLINK:RPANel:OUTPut:SSYNc	1052
:DLINK:SCH[:STATe]	1052
:DLINK:SCRamblecode	1052
:DLINK:SDElay	1053
:DLINK:SSCH:POWer	1053
:DLINK:SSCH:SSGRoup	1053
:DLINK:SSCH[:STATe]	1054
:DLINK:TGAP:FSTRuct	1054
:DLINK:TGAP:POFFset	1054
:DLINK:TGAP:PSI[1]:CFN	1055
:DLINK:TGAP:PSI[1]:CMMethod	1055
:DLINK:TGAP:PSI[1]:D	1056
:DLINK:TGAP:PSI[1]:L1	1056
:DLINK:TGAP:PSI[1]:L2	1056
:DLINK:TGAP:PSI[1]:PL1	1057

:DLINK:TGAP:PSI[1]:PL2	1057
:DLINK:TGAP:PSI[1]:PRC	1057
:DLINK:TGAP:PSI[1]:PS	1058
:DLINK:TGAP:PSI[1]:SN	1058
:DLINK:TGAP:RPARameter	1058
:DLINK:TGAP:SCFN	1059
:DLINK:TGAP:STARt:TRIGger	1059
:DLINK:TGAP:STARt:TRIGger:POLarity	1059
:DLINK:TGAP:STOP:TRIGger	1060
:DLINK:TGAP:STOP:TRIGger:POLarity	1060
:DLINK:TGAP[::STATe]	1060
:DLINK:TSETup	1061
:DLINK:TXDV	1062
:DLINK[:TGRoup [A] B]:DCH[1] 2 3 4 5 6:BLKSize	1063
:DLINK[:TGRoup [A] B]:DCH[1] 2 3 4 5 6:BPFRame	1064
:DLINK[:TGRoup [A] B]:DCH[1] 2 3 4 5 6:BRATe	1064
:DLINK[:TGRoup [A] B]:DCH[1] 2 3 4 5 6:BSSize	1064
:DLINK[:TGRoup [A] B]:DCH[1] 2 3 4 5 6:CODE	1065
:DLINK[:TGRoup [A] B]:DCH[1] 2 3 4 5 6:CRC	1066
:DLINK[:TGRoup [A] B]:DCH[1] 2 3 4 5 6:DATA	1066
:DLINK[:TGRoup [A] B]:DCH[1] 2 3 4 5 6:DATA:EINSert	1067
:DLINK[:TGRoup [A] B]:DCH[1] 2 3 4 5 6:DATA:FIX4	1067
:DLINK[:TGRoup [A] B]:DCH[1] 2 3 4 5 6:NBLocks	1068
:DLINK[:TGRoup [A] B]:DCH[1] 2 3 4 5 6:POSITION	1069
:DLINK[:TGRoup [A] B]:DCH[1] 2 3 4 5 6:PPERcentage	1069
:DLINK[:TGRoup [A] B]:DCH[1] 2 3 4 5 6:RMATch	1070
:DLINK[:TGRoup [A] B]:DCH[1] 2 3 4 5 6:TTI	1070
:DLINK[:TGRoup [A] B]:DCH[1] 2 3 4 5 6[::STATe]	1071
:LINK	1071
:POLarity[::ALL]	1071
:ULINK:APPLY	1072
:ULINK:AWGN:CN	1072
:ULINK:AWGN:CPOWer	1073
:ULINK:AWGN:DRATe	1073
:ULINK:AWGN:EBNO	1073
:ULINK:AWGN:EBRef	1074
:ULINK:AWGN:FNBW	1074
:ULINK:AWGN:NPOWer	1075

Contents

:ULINK:AWGN:TICPower	1075
:ULINK:AWGN[:STATe]	1075
:ULINK:CRATe	1076
:ULINK:DPCCh:BETA	1076
:ULINK:DPCCh:CCODE	1077
:ULINK:DPCCh:DATA	1077
:ULINK:DPCCh:DATA:FIX4	1078
:ULINK:DPCCh:FBI:PATtern	1078
:ULINK:DPCCh:FBI:PATtern:FIX	1079
:ULINK:DPCCh:FBI[:STATe]	1079
:ULINK:DPCCh:POWER	1080
:ULINK:DPCCh:RATE	1080
:ULINK:DPCCh:SLOTformat	1080
:ULINK:DPCCh:TFCI:PATtern	1081
:ULINK:DPCCh:TFCI:PATtern:FIX	1081
:ULINK:DPCCh:TFCI[:STATe]	1082
:ULINK:DPCCh:TPC:NSTeps	1082
:ULINK:DPCCh:TPC:PATtern	1083
:ULINK:DPCCh:TPC:PATtern:FIX4	1084
:ULINK:DPCCh:TPC:PATtern:TRIGger:POLarity	1084
:ULINK:DPCCh:TPC:PATtern:TRIGger[:STATe]	1085
:ULINK:DPCCh:TPOWER	1085
:ULINK:DPCCh[:STATe]	1086
:ULINK:DPDCh:BETA	1086
:ULINK:DPDCh:CCODE	1087
:ULINK:DPDCh:DATA	1088
:ULINK:DPDCh:DATA:FIX4	1088
:ULINK:DPDCh:POWER	1089
:ULINK:DPDCh:RATE	1089
:ULINK:DPDCh:RBER	1090
:ULINK:DPDCh:SLOTformat	1091
:ULINK:DPDCh:TBER[:CLENgth]	1092
:ULINK:DPDCh:TBER:ELENgth	1092
:ULINK:DPDCh:TPOWER	1093
:ULINK:DPDCh[:STATe]	1093
:ULINK:FCLock:INTerval	1093
:ULINK:FCLock:POLarity	1094
:ULINK:FILTer	1094

:ULINK:FILTer:ALPHa	1095
:ULINK:FILTer:BBT	1096
:ULINK:FILTer:CHANnel	1096
:ULINK:FOFFset	1097
:ULINK:PADJust	1097
:ULINK:PHYSical[1]:TYPE	1097
:ULINK:PMODE:TPControl:HOLD	1098
:ULINK:PMODE:TPControl:POWer:INITial	1098
:ULINK:PMODE:TPControl:POWer:MAXimum	1099
:ULINK:PMODE:TPControl:POWer:MINimum	1099
:ULINK:PMODE:TPControl:POWer:RESet	1100
:ULINK:PMODE:TPControl:POWer:STEP	1100
:ULINK:PMODE:TPControl:TRIGger:POLarity	1101
:ULINK:PMODE[:SElect]	1101
:ULINK:PRACH:AICH:NUMBer	1101
:ULINK:PRACH:AICH:POLarity	1102
:ULINK:PRACH:AWGN:CN	1102
:ULINK:PRACH:AWGN:CPOWer	1103
:ULINK:PRACH:AWGN:DRATe	1103
:ULINK:PRACH:AWGN:EBNO	1103
:ULINK:PRACH:AWGN:ECNO	1104
:ULINK:PRACH:AWGN:EREF	1104
:ULINK:PRACH:AWGN:NPOWer	1105
:ULINK:PRACH:AWGN:TICPower	1105
:ULINK:PRACH:AWGN[:STATe]	1105
:ULINK:PRACH:MESSAge:CPART:BETA	1106
:ULINK:PRACH:MESSAge:CPART:DATA	1106
:ULINK:PRACH:MESSAge:CPART:DATA:FIX4	1107
:ULINK:PRACH:MESSAge:CPART:POWer	1107
:ULINK:PRACH:MESSAge:CPART:RATE	1108
:ULINK:PRACH:MESSAge:CPART:SLOTformat	1108
:ULINK:PRACH:MESSAge:CPART:TFCI:PATtern	1109
:ULINK:PRACH:MESSAge:CPART:TFCI:PATtern:FIX	1109
:ULINK:PRACH:MESSAge:CPART:TFCI[:STATe]	1110
:ULINK:PRACH:MESSAge:DPART:BETA	1110
:ULINK:PRACH:MESSAge:DPART:DATA	1111
:ULINK:PRACH:MESSAge:DPART:DATA:FIX4	1111
:ULINK:PRACH:MESSAge:DPART:POWer	1112

Contents

:ULINK:PRACH:MESSAge:DPARt:RATE	1112
:ULINK:PRACH:MESSAge:DPARt:SLOTformat	1113
:ULINK:PRACH:MODE[:SElect]	1114
:ULINK:PRACH:MULTi:MESSAge:TPOWer	1115
:ULINK:PRACH:MULTi:MESSAge[:STATe]	1115
:ULINK:PRACH:MULTi:NUMBer	1115
:ULINK:PRACH:MULTi:PREAmble:NUMBer	1116
:ULINK:PRACH:MULTi:PREAmble:POWer:INITial	1116
:ULINK:PRACH:MULTi:PREAmble:POWer:MAX	1117
:ULINK:PRACH:MULTi:PREAmble:POWer:RSUp	1117
:ULINK:PRACH:MULTi:PREAmble:PPM	1117
:ULINK:PRACH:MULTi:UE[1] 2 3 4 5 6 7 8:MESSAge:CPARt:CCODE	1118
:ULINK:PRACH:MULTi:UE[1] 2 3 4 5 6 7 8:MESSAge:DPARt:CCODE	1118
:ULINK:PRACH:MULTi:UE[1] 2 3 4 5 6 7 8:PREAmble:SIGNature	1118
:ULINK:PRACH:MULTi:UE[1] 2 3 4 5 6 7 8:SPOsition[1] 2 3 4 5 6 7 8[:ASLot]	1119
:ULINK:PRACH:MULTi:UE[1] 2 3 4 5 6 7 8[:STATe]	1120
:ULINK:PRACH:PREAmble:POWer:AVERAge	1120
:ULINK:PRACH:PREAmble:POWer:MODE	1121
:ULINK:PRACH:RPARameter	1121
:ULINK:PRACH:SCRamblecode	1122
:ULINK:PRACH:SDElay	1122
:ULINK:PRACH:SUBChannel	1123
:ULINK:PRACH:TOFFset	1123
:ULINK:PRACH:TPA	1124
:ULINK:PRACH:TPM	1124
:ULINK:PRACH:TPOWer	1125
:ULINK:PRACH:TPP	1125
:ULINK:PRACH:TRIGger	1126
:ULINK:PRACH:TRIGger:POLarity	1126
:ULINK:PRACH:TRIGger:SOURce	1126
:ULINK:PRACH:TTI	1127
:ULINK:PRACH[:SINGle]:MESSAge[:STATe]	1127
:ULINK:PRACH[:SINGle]:NUMBer	1128
:ULINK:PRACH[:SINGle]:MESSAge:CPARt:CCODE	1128
:ULINK:PRACH[:SINGle]:MESSAge:DPARt:CCODE	1129
:ULINK:PRACH[:SINGle]:MESSAge:TPOWer	1130
:ULINK:PRACH[:SINGle]:NUMBer	1130
:ULINK:PRACH[:SINGle]:PREAmble:NUMBer	1131

:ULINK:PRACH[:SINGLE]:PREamble:POWER:INITIAL	1131
:ULINK:PRACH[:SINGLE]:PREamble:POWER:MAX	1132
:ULINK:PRACH[:SINGLE]:PREamble:POWER:RSTep	1132
:ULINK:PRACH[:SINGLE]:PREamble:PPM	1133
:ULINK:PRACH[:SINGLE]:PREamble:SIGNature	1133
:ULINK:RMCHannel	1134
:ULINK:RPANel:DPCH:INPut:ALTPower	1134
:ULINK:RPANel:DPCH:INPut:BBGRef	1135
:ULINK:RPANel:DPCH:INPut:BGATe	1135
:ULINK:RPANel:DPCH:INPut:PTRigger1	1135
:ULINK:RPANel:DPCH:INPut:PTRigger2	1136
:ULINK:RPANel:DPCH:OUTPut:DCLock	1136
:ULINK:RPANel:DPCH:OUTPut:DOUT	1137
:ULINK:RPANel:DPCH:OUTPut:EVENT1	1138
:ULINK:RPANel:DPCH:OUTPut:EVENT2	1138
:ULINK:RPANel:DPCH:OUTPut:EVENT3	1139
:ULINK:RPANel:DPCH:OUTPut:EVENT4	1139
:ULINK:RPANel:DPCH:OUTPut:SSYNc	1140
:ULINK:RPANel:PRACH:INPut:ALTPower	1140
:ULINK:RPANel:PRACH:INPut:BBGRef	1141
:ULINK:RPANel:PRACH:INPut:BGATe	1141
:ULINK:RPANel:PRACH:INPut:PTRigger1	1141
:ULINK:RPANel:PRACH:INPut:PTRigger2	1142
:ULINK:RPANel:PRACH:OUTPut:DCLock	1142
:ULINK:RPANel:PRACH:OUTPut:DOUT	1144
:ULINK:RPANel:PRACH:OUTPut:EVENT1	1144
:ULINK:RPANel:PRACH:OUTPut:EVENT2	1145
:ULINK:RPANel:PRACH:OUTPut:EVENT3	1146
:ULINK:RPANel:PRACH:OUTPut:EVENT4	1146
:ULINK:RPANel:PRACH:OUTPut:SSYNc	1147
:ULINK:SCRamblecode	1148
:ULINK:SDElay	1148
:ULINK:SFNRst:POLarity	1148
:ULINK:SYNC:MODE	1149
:ULINK:SYNC[:SOURce]	1149
:ULINK:TGAP:POFFset	1150
:ULINK:TGAP:PSI[1] 2 3 4 5 6:CFN	1150
:ULINK:TGAP:PSI[1]:CMMethod	1151

Contents

:ULINK:TGAP:PSI[1] 2 3 4 5 6:D	1151
:ULINK:TGAP:PSI[1] 2 3 4 5 6:L1	1152
:ULINK:TGAP:PSI[1] 2 3 4 5 6:L2	1152
:ULINK:TGAP:PSI[1] 2 3 4 5 6:PL1	1152
:ULINK:TGAP:PSI[1] 2 3 4 5 6:PL2	1153
:ULINK:TGAP:PSI[1] 2 3 4 5 6:POWer	1153
:ULINK:TGAP:PSI[1] 2 3 4 5 6:PRC	1153
:ULINK:TGAP:PSI[1] 2 3 4 5 6:PS	1154
:ULINK:TGAP:PSI[1] 2 3 4 5 6:SN	1154
:ULINK:TGAP:RPARameter	1154
:ULINK:TGAP:SCFN	1155
:ULINK:TGAP[:STATe]	1155
:ULINK:TGAP:STARt:TRIGger	1156
:ULINK:TGAP:STARt:TRIGger:POLarity	1156
:ULINK:TGAP:STOP:TRIGger	1156
:ULINK:TGAP:STOP:TRIGger:POLarity	1156
:ULINK:TOFFset	1157
:ULINK:TSTatus:COMPRESSED	1157
:ULINK:TSTatus:RACH	1157
:ULINK:TSTatus:RECeive	1158
:ULINK:TSTatus:SYNC	1158
:ULINK:[TGRoup[1]]:DCH[1] 2 3 3 5 6:BLKSize	1158
:ULINK[:TGRoup[1]]:DCH[1] 2 3 4 5 6:BPFRame	1159
:ULINK[:TGRoup[1]]:DCH[1] 2 3 4 5 6:BRATe	1159
:ULINK:[TGRoup[1]]:DCH[1] 2 3 3 5 6:CODE	1159
:ULINK:[TGRoup[1]]:DCH[1] 2 3 3 5 6:CRC	1160
:ULINK:[TGRoup[1]]:DCH[1] 2 3 3 5 6:DATA	1160
:ULINK[:TGRoup[1]]:DCH[1] 2 3 4 5 6:DATA:BER:ACTual	1161
:ULINK[:TGRoup[1]]:DCH[1] 2 3 4 5 6:DATA:BER:ERRor:BIT	1161
:ULINK[:TGRoup[1]]:DCH[1] 2 3 4 5 6:DATA:BER:TOTal:BIT	1161
:ULINK[:TGRoup[1]]:DCH[1] 2 3 4 5 6:DATA:BER[:VALue]	1162
:ULINK[:TGRoup[1]]:DCH[1] 2 3 4 5 6:DATA:BLER:ACTual	1162
:ULINK[:TGRoup[1] 2]:DCH[1] 2 3 4 5 6:DATA:BLER:ERRor:BLOCK	1162
:ULINK[:TGRoup[1] 2]:DCH[1] 2 3 4 5 6:DATA:BLER:TOTal:BLOCK	1163
:ULINK[:TGRoup[1]]:DCH[1] 2 3 4 5 6:DATA:BLER[:VALue]	1163
:ULINK[:TGRoup[1]]:DCH[1] 2 3 4 5 6:DATA:EINsert	1164
:ULINK[:TGRoup[1]]:DCH[1] 2 3 4 5 6:DATA:FIX4	1164
:ULINK[:TGRoup[1]]:DCH[1] 2 3 4 5 6:NBLock	1165

:ULINK[:TGRoup [1]]:DCH[1]2 3 4 5 6:PPERcentage	1165
:ULINK[:TGRoup[1]]:DCH[1]2 3 4 5 6:RMATch	1165
:ULINK[:TGRoup[1]]:DCH[1]2 3 4 5 6:TTI	1166
:ULINK[:TGRoup[1]]:DCH[1]2 3 4 5 6[:STATe]	1166
:ULINK[:TGRoup[1]]:RACH[1]:BLKSize	1166
:ULINK[:TGRoup [1]]:RACH[1]:BPF rame	1167
:ULINK[:TGRoup [1]]:RACH[1]:BRATe	1167
:ULINK[:TGRoup[1]]:RACH[1]:CODE	1167
:ULINK[:TGRoup[1]]:RACH[1]:CRC	1167
:ULINK[:TGRoup[1]]:RACH[1]:DATA	1168
:ULINK[:TGRoup[1]]:RACH[1]:DATA:BER:ACTual	1168
:ULINK[:TGRoup[1]]:RACH[1]:DATA:BER:ERRor:BIT	1168
:ULINK[:TGRoup[1]]:RACH[1]:DATA:BER:TOTal:BIT	1169
:ULINK[:TGRoup[1]]:RACH[1]:DATA:BER[:VALue]	1169
:ULINK[:TGRoup[1]]:RACH[1]:DATA:BLER:ACTual	1169
:ULINK[:TGRoup[1]]:RACH[1]:DATA:BLER:ERRor:BLOCK	1170
:ULINK[:TGRoup[1]]:RACH[1]:DATA:BLER:TOTal:BLOCK	1170
:ULINK[:TGRoup[1]]:RACH[1]:DATA:BLER[:VALue]	1170
:ULINK[:TGRoup[1]]:RACH[1]:DATA:EINsert	1171
:ULINK[:TGRoup[1]]:RACH[1]:DATA:FIX4	1171
:ULINK[:TGRoup[1]]:RACH[1]:NBLOCK	1172
:ULINK[:TGRoup [1]]:RACH[1]:PPERcentage	1172
:ULINK[:TGRoup[1]]:RACH[1]:RMATch	1172
:ULINK[:TGRoup[1]]:RACH[1]:TTI	1173
:ULINK[:TGRoup[1]]:RACH[1][:STATe]	1173
[:STATe]	1173

Contents

Documentation Overview

Installation Guide

- Safety Information
- Getting Started
- Operation Verification
- Regulatory Information

User's Guide

- E4428C Analog Signal Generator Overview
- E4423C Analog Signal Generator Overview
- Basic Operation
- Basic Digital Operation
- AWGN Waveform Generator
- Analog Modulation
- Digital Signal Interface Module
- Bluetooth Signals
- BERT
- CDMA Digital Modulation
- GPS Modulation
- Multitone Waveform Generator
- Custom Digital Modulation
- Real Time TDMA Formats
- W-CDMA Digital Modulation for Component Test
- W-CDMA Uplink Digital Modulation for Receiver Test
- W-CDMA Downlink Digital Modulation for Receiver Test
- Troubleshooting

Programming Guide

- Getting Started with Remote Operation
- Using IO Interfaces
- Programming Examples
- Programming the Status Register System
- Creating and Downloading Waveform Files
- Creating and Downloading User-Data Files

SCPI Reference

Volume 1:

- SCPI Basics
- Basic Function Commands
- System Commands
- Analog Commands
- Component Test Digital Commands

Volume 2:

- Digital Signal Interface Module Commands
- Bit Error Rate Test (BERT) Commands
- Receiver Test Digital Commands

Volume 3:

- Receiver Test Digital Commands (continued)

Compatibility with E44xxB SCPI Commands

- Overview
- E4428C/38C SCPI Commands
- ESG E44xxB Commands
- 8648A/B/C/D Commands
- 8658B, 8657A/B/D/J Programming Codes

Service Guide

- Troubleshooting
- Replaceable Parts
- Assembly Replacement
- Post-Repair Procedures
- Safety and Regulatory

Key and Data Field Reference

Volume 1:

- Symbols, Numerics, A-H

Volume 2:

- Volume 2: I-Z

1 SCPI Basics

This chapter describes how SCPI information is organized and presented in this guide. An overview of the SCPI language is also provided. This Chapter contains the following major sections:

- [“Command Reference Information” on page 2](#)
- [“SCPI Basics” on page 3](#)

Command Reference Information

SCPI Command Listings

The Table of Contents lists the Standard Commands for Programmable Instruments (SCPI) without the parameters. The SCPI subsystem name will generally have the first part of the command in parenthesis that is repeated in all commands within the subsystem. The title(s) beneath the subsystem name is the remaining command syntax. The following example demonstrates this listing:

```
Communication Subsystem (:SYSTem:COMMunicate)
:PMETer:CHANnel
:SERial:ECHO
```

The following examples show the complete commands from the above Table of Contents listing:

```
:SYSTem:COMMunicate:PMETer:CHANnel
:SYSTem:COMMunicate:SERial:ECHO
```

Key and Data Field Cross Reference

The index is set up so applicable key and data field names can be cross-referenced to the appropriate SCPI command. There are two headings in the index where the key and data field names can be found:

- individual softkey, hardkey, or data field name
- subsystem name

Supported Field

Within each command section, the Supported heading describes which signal generator configurations are supported by the SCPI command. When “All Models” is shown next to this heading, all signal generator configurations are supported by the SCPI command. When “All with Option xxx” is shown next to this heading, only the stated option(s) is supported.

SCPI Basics

This section describes the general use of the SCPI language for the ESG. It is not intended to teach you everything about the SCPI language; the SCPI Consortium or IEEE can provide that level of detailed information. For a list of the specific commands available for the signal generator, refer to the table of contents.

For additional information, refer to the following publications:

- IEEE Standard 488.1-1987, IEEE Standard Digital Interface for Programmable Instrumentation. New York, NY, 1998.
- IEEE Standard 488.2-1992, IEEE Standard Codes, Formats, Protocols and Command Commands for Use with ANSI/IEEE Standard 488.1-1987. New York, NY, 1998.

Common Terms

The following terms are used throughout the remainder of this section:

Command	A command is an instruction in SCPI consisting of mnemonics (keywords), parameters (arguments), and punctuation. You combine commands to form messages that control instruments.
Controller	A controller is any device used to control the signal generator, for example a computer or another instrument.
Event Command	Some commands are events and cannot be queried. An event has no corresponding setting; it initiates an action at a particular time.
Program Message	A program message is a combination of one or more properly formatted commands. Program messages are sent by the controller to the signal generator.
Query	A query is a special type of command used to instruct the signal generator to make response data available to the controller. A query ends with a question mark. Generally you can query any command value that you set.
Response Message	A response message is a collection of data in specific SCPI formats sent from the signal generator to the controller. Response messages tell the controller about the internal state of the signal generator.

Command Syntax

A typical command is made up of keywords prefixed with colons (:). The keywords are followed by parameters. The following is an example syntax statement:

```
[ :SOURce ] :POWer [ :LEVel ] MAXimum | MINimum
```

In the example above, the [:LEVel] portion of the command immediately follows the :POWer portion with no separating space. The portion following the [:LEVel], MINimum | MAXimum, are the parameters (argument for the command statement). There is a separating space (white space) between the command and its parameter.

Additional conventions in syntax statements are shown in [Table 1-1](#) and [Table 1-2](#).

Table 1-1 Special Characters in Command Syntax

Characters	Meaning	Example
	A vertical stroke between keywords or parameters indicates alternative choices. For parameters, the effect of the command varies depending on the choice.	[:SOURce] :AM: MOD DEEP NORMAl DEEP or NORMAl are the choices.
[]	Square brackets indicate that the enclosed keywords or parameters are optional when composing the command. These implied keywords or parameters will be executed even if they are omitted.	[:SOURce] :FREQuency [:CW] ? SOURce and CW are optional items.
< >	Angle brackets around a word (or words) indicate they are not to be used literally in the command. They represent the needed item.	[:SOURce] :FREQuency : STARt <val><unit> In this command, the words <val> and <unit> should be replaced by the actual frequency and unit. :FREQuency :STARt 2.5GHZ
{ }	Braces indicate that parameters can optionally be used in the command once, several times, or not at all.	[:SOURce] :LIST : POWer <val> { , <val> } a single power listing: LIST :POWer 5 a series of power listings: LIST :POWer 5 , 10 , 15 , 20

Table 1-2 Command Syntax

Characters, Keywords, and Syntax	Example
Upper-case lettering indicates the minimum set of characters required to execute the command.	[:SOURce] :FREQuency [:CW] ? , FREQ is the minimum requirement.
Lower-case lettering indicates the portion of the command that is optional; it can either be included with the upper-case portion of the command or omitted. This is the flexible format principle called forgiving listening. Refer to “Command Parameters and Responses” on page 7 for more information.	:FREQuency Either :FREQ, :FREQuency, or :FREQUENCY is correct.
When a colon is placed between two command mnemonics, it moves the current path down one level in the command tree. Refer to “Command Tree” on page 6 more information on command paths.	:TRIGger :OUTPut :POLarity? TRIGger is the root level keyword for this command.
If a command requires more than one parameter, you must separate adjacent parameters using a comma. Parameters are not part of the command path, so commas do not affect the path level.	[:SOURce] :LIST: DWELl <val> { , <val> }
A semicolon separates two commands in the same program message without changing the current path.	:FREQ 2.5GHZ ; :POW 10DBM
White space characters, such as <tab> and <space>, are generally ignored as long as they do not occur within or between keywords. However, you must use white space to separate the command from the parameter, but this does not affect the current path.	:FREQ uency or :POWER :LEVel are not allowed. A <space> between :LEVel and 6.2 is mandatory . :POWER :LEVel 6.2

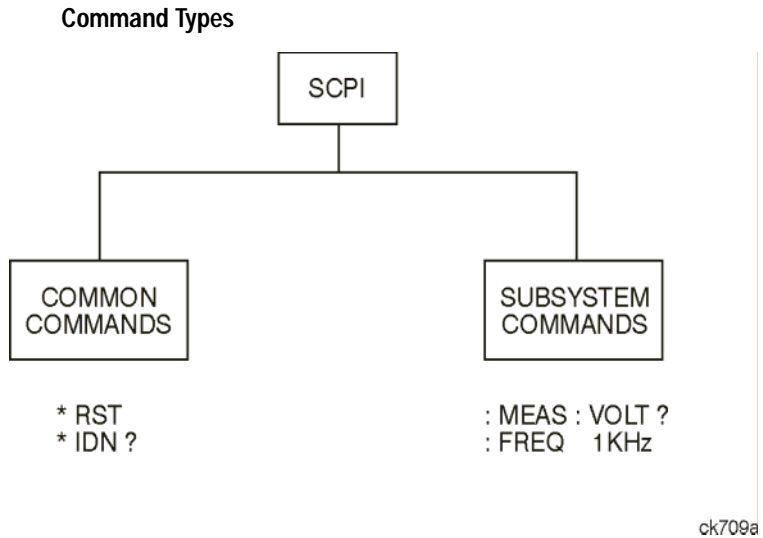
Command Types

Commands can be separated into two groups: common commands and subsystem commands. [Figure 1-1](#), shows the separation of the two command groups.

Common commands are used to manage macros, status registers, synchronization, and data storage and are defined by IEEE 488.2. They are easy to recognize because they all begin with an asterisk. For example *IDN?, *OPC, and *RST are common commands. Common commands are not part of any subsystem and the signal generator interprets them in the same way, regardless of the current path setting.

Subsystem commands are distinguished by the colon (:). The colon is used at the beginning of a command statement and between keywords, as in :FREQUency[:CW?]. Each command subsystem is a set of commands that roughly correspond to a functional block inside the signal generator. For example, the power subsystem (:POWeR) contains commands for power generation, while the status subsystem (:STATus) contains commands for controlling status registers.

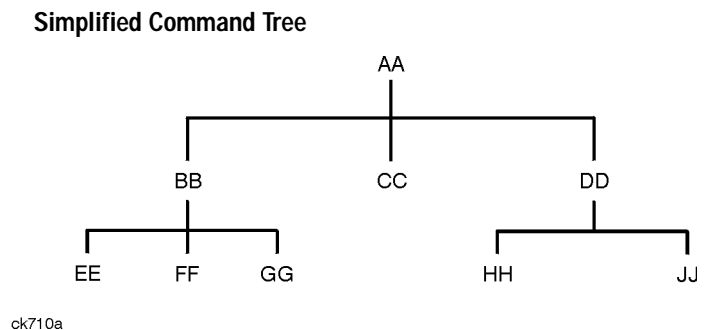
Figure 1-1



Command Tree

Most programming tasks involve subsystem commands. SCPI uses a structure for subsystem commands similar to the file systems on most computers. In SCPI, this command structure is called a command tree and is shown in [Figure 1-2](#).

Figure 1-2



The command closest to the top is the root command, or simply “the root.” Notice that you must follow a particular path to reach lower level commands. In the following example, :POWeR represents AA, :ALC

represents BB, :SOURCE represents GG. The complete command path is :POWER:ALC:SOURCE? (:AA:BB:GG).

Paths Through the Command Tree

To access commands from different paths in the command tree, you must understand how the signal generator interprets commands. The parser, a part of the signal generator firmware, decodes each message sent to the signal generator. The parser breaks up the message into component commands using a set of rules to determine the command tree path used. The parser keeps track of the current path (the level in the command tree) and where it expects to find the next command statement. This is important because the same keyword may appear in different paths. The particular path is determined by the keyword(s) in the command statement.

A message terminator, such as a <new line> character, sets the current path to the root. Many programming languages have output statements that automatically send message terminators.

NOTE The current path is set to the root after the line-power is cycled or when *RST is sent.

Command Parameters and Responses

SCPI defines different data formats for use in program and response messages. It does this to accommodate the principle of forgiving listening and precise talking. For more information on program data types refer to IEEE 488.2.

Forgiving listening means the command and parameter formats are flexible.

For example, with the :FREQUENCY:REFERENCE:STATE ON|OFF|1|0 command, the signal generator accepts :FREQUENCY:REFERENCE:STATE ON, :FREQUENCY:REFERENCE:STATE 1, :FREQ:REF:STAT ON, :FREQ:REF:STAT 1 to turn on the frequency reference mode.

Each parameter type has one or more corresponding response data types. A setting that you program using a numeric parameter returns either real or integer response data when queried. Response data (data returned to the controller) is more concise and restricted, and is called precise talking.

Precise talking means that the response format for a particular query is always the same.

For example, if you query the power state (:POWER:ALC:STATE?) when it is on, the response is always 1, regardless of whether you previously sent :POWER:ALC:STATE 1 or :POWER:ALC:STATE ON. [Table 1-3](#) shows the response for a given parameter type.

Table 1-3 Parameter and Response Types

Parameter Types	Response Data Types
Numeric	Real, Integer
Extended Numeric	Real, Integer
Discrete	Discrete
Boolean	Numeric Boolean
String	String

Numeric Parameters

Numeric parameters are used in both common and subsystem commands. They accept all commonly used decimal representations of numbers including optional signs, decimal points, and scientific notation.

If a signal generator setting is programmed with a numeric parameter which can only assume a finite value, it automatically rounds any entered parameter which is greater or less than the finite value. For example, if a signal generator has a programmable output impedance of 50 or 75 ohms, and you specified 76.1 for the output impedance, the value is rounded to 75. The following are examples of numeric parameters:

- 100 no decimal point required
- 100. fractional digits optional
- 1.23 leading signs allowed
- 4.56E<space>3 space allowed after the E in exponential
- 7.89E-001 use either E or e in exponential
- +256 leading + allowed
- .5 digits left of decimal point optional

Extended Numeric Parameters

Most subsystems use extended numeric parameters to specify physical quantities. Extended numeric parameters accept all numeric parameter values and other special values as well.

The following are examples of extended numeric parameters:

100	any simple numeric value
1.2GHZ	GHZ can be used for exponential (E009)
200MHZ	MHZ can be used for exponential (E006)
-100mV	negative 100 millivolts
10DEG	10 degrees

Extended numeric parameters also include the following special parameters:

DEFAult	resets the parameter to its default value
UP	increments the parameter
DOWN	decrements the parameter
MINimum	sets the parameter to the smallest possible value
MAXimum	sets the parameter to the largest possible value

Discrete Parameters

Discrete parameters use mnemonics to represent each valid setting. They have a long and a short form, just like command mnemonics. You can mix upper and lower case letters for discrete parameters.

The following examples of discrete parameters are used with the command
:TRIGger[:SEQUence]:SOURce BUS|IMMediate|EXTernal.

BUS	GPIB, LAN, or RS-232 triggering
IMMediate	immediate trigger (free run)
EXTernal	external triggering

Although discrete parameters look like command keywords, do not confuse the two. In particular, be sure to use colons and spaces properly. Use a colon to separate command mnemonics from each other and a space to separate parameters from command mnemonics.

The following are examples of discrete parameters in commands:

```
TRIGger:SOURce BUS
TRIGger:SOURce IMMediate
TRIGger:SOURce EXTernal
```

Boolean Parameters

Boolean parameters represent a single binary condition that is either true or false. The two-state boolean parameter has four arguments. The following list shows the arguments for the two-state boolean parameter:

ON	boolean true, upper/lower case allowed
OFF	boolean false, upper/lower case allowed
1	boolean true
0	boolean false

String Parameters

String parameters allow ASCII strings to be sent as parameters. Single or double quotes are used as delimiters.

The following are examples of string parameters:

```
'This is valid'  
"This is also valid"  
'SO IS THIS'
```

Real Response Data

Real response data represent decimal numbers in either fixed decimal or scientific notation. Most high-level programming languages that support signal generator input/output (I/O) handle either decimal or scientific notation transparently.

The following are examples of real response data:

```
+4.000000E+010, -9.990000E+002  
-9.990000E+002  
+4.000000000000000E+010  
+1  
0
```

Integer Response Data

Integer response data are decimal representations of integer values including optional signs. Most status register related queries return integer response data.

The following are examples of integer response data:

0	signs are optional
+100	leading + allowed
-100	leading – allowed
256	never any decimal point

Discrete Response Data

Discrete response data are similar to discrete parameters. The main difference is that discrete response data only returns the short form of a particular mnemonic, in all upper case letters.

The following are examples of discrete response data:

```

IMM
EXT
INT
NEG

```

Numeric Boolean Response Data

Boolean response data returns a binary numeric value of one or zero.

String Response Data

String response data are similar to string parameters. The main difference is that string response data returns double quotes, rather than single quotes. Embedded double quotes may be present in string response data. Embedded quotes appear as two adjacent double quotes with no characters between them.

The following are examples of string response data:

```

"This is a string"
"one double quote inside brackets: [""]"
>Hello!"

```

Program Messages

The following commands will be used to demonstrate the creation of program messages:

```
[ :SOURce ] :FREQuency :START      [ :SOURce ] :FREQuency :STOP  
[ :SOURce ] :FREQuency [ :CW ]     [ :SOURce ] :POWer [ :LEVel ] :OFFSet
```

Example 1

```
:FREQuency :START 500MHZ ; STOP 1000MHZ
```

This program message is correct and will not cause errors; `START` and `STOP` are at the same path level. It is equivalent to sending the following message:

```
FREQuency :START 500MHZ ; FREQuency :STOP 1000MHZ
```

Example 2

```
:POWer 10DBM ; :OFFSet 5DB
```

This program message will result in an error. The message makes use of the default `POWER [:LEVel]` node (root command). When using a default node, there is no change to the current path position. Since there is no command `OFFSet` at the root level, an error results.

The following example shows the correct syntax for this program message:

```
:POWer 10DBM ; :POWer :OFFSet 5DB
```

Example 3

```
:POWer :OFFSet 5DB ; POWer 10DBM
```

This program message results in a command error. The path is dropped one level at each colon. The first half of the message drops the command path to the lower level command `OFFSet`; `POWer` does not exist at this level.

The `POWER 10DBM` command is missing the leading colon and when sent, it causes confusion because the signal generator cannot find `POWER` at the `POWER :OFFSet` level. By adding the leading colon, the current path is reset to the root. The following shows the correct program message:

```
:POWer :OFFSet 5DB ; :POWer 10DBM
```

Example 4

```
FREQ 500MHZ ; POW 4DBM
```

In this example, the keyword short form is used. The program message is correct because it utilizes the default nodes of `:FREQ [:CW]` and `:POW [:LEVel]`. Since default nodes do not affect the current path, it is not necessary to use a leading colon before `FREQ` or `POW`.

File Name Variables

File name variables designate a data file and file path. File name variables are used in the SCPI command syntax whenever files are accessed. The name of the file is always required, but the file path can sometimes be optional or be designated using different formats. The following table shows these different file path formats:

Format	File Name Variable	Example
Format 1	"<file name>"	"Test_Data"
Format 2	"<file name@msus>"	"Test_Data@SEQ"
Format 3	"<msus:file name>"	"SEQ:Test_Data"
Format 4	"</user/directory/file name>"	"/USER/SEQ/Test_Data"

Formats 2–4 offer programming flexibility and are equivalent. Format 1 can only be used with SCPI commands that imply the path name as part of the command syntax. Typically, SCPI load commands that access user-data files do not need to have a file path designated.

See [Table 1-4 on page 14](#) for information on file types and directories.

NOTE The maximum length for a file name is 23 characters, excluding the file path.

Example Using Format 1

```
:CORR:FLAT:LOAD "FLAT_DATA"
```

The preceding example loads user-flatness data from a file called `FLAT_DATA` located in the `USERFLAT` directory. No file path is needed as the command syntax implies the directory where the file is located.

Example Using Format 2

```
:MEM:COPY "IQ_DATA@NVWFM", "Test_DATA@WFM1"
```

The preceding example copies a file named `IQ_DATA` located in the `WAVEFORM` directory to a file named `Test_DATA` in volatile waveform memory (`WFM1`).

Example Using Format 3

```
:MEM:COPY "NVWFM:IQ_DATA", "WFM1:Test_DATA"
```

The preceding example copies a file named `IQ_DATA` located in the `WAVEFORM` directory to a file named `Test_DATA` in volatile waveform memory (`WFM1`).

Example Using Format 4

```
:MEM:COPY "/USER/WAVEFORM/IQ_DATA", "/USER/BBG1/WAVEFORM/IQ_DATA"
```

The preceding example copies a file named IQ_DATA located in the WAVEFORM directory to a file named IQ_DATA in volatile waveform memory (WFM1).

The following examples show commands, with different formats, that can be used to download a waveform file named Test_Data into the signal generator’s volatile waveform memory (WFM1):

Command Syntax Format 3

```
:MEMory:DATA "WFM1:Test_Data", #ABC
```

Command Syntax Format 4

```
:MEMory:DATA "/USER/BBG1/WAVEFORM/Test_Data", #ABC
```

These commands are equivalent. The data block, #ABC, is described as follows:

- # This character indicates the beginning of the data block
- A Number of digits in the byte count B
- B Byte count in C
- C Waveform data

Refer to “:DATA” on page 105 and the *E4428C/38C ESG Signal Generators Programming Guide* for more information on data blocks and downloading waveform data.

File Types and Directory Structure

The signal generator uses a computer directory model structure for file storage. The top level directory is called the USER directory. All other directories are subdirectories located under the USER directory. Each subdirectory is dedicated to the type of data stored. For example, the FIR directory is used to store finite impulse filter (FIR) coefficient data whereas the MARKERS directory is used to store marker data.

The following table lists signal generator the subdirectories and file paths where file types are stored.

Table 1-4 File Types and Directory Structures

File System	File Type	File Path	MSUS Path
BINARY ^a	BIN	/USER/BIN	BINARY. ^b
BIT ^a	BIT	/USER/BIT	BIT:

Table 1-4 File Types and Directory Structures

File System	File Type	File Path	MSUS Path
CDMA ^{ab}	CDMA	/USER/CDMA	CDMA:
DMOD - ARB digital modulation file ^a	DMOD	/USER/DMOD	DMOD:
DWCDMA - ARB downlink W-CDMA file ^a	DWCD	/USER/DWCDMA	DWCDMA:
FCDMA - ARB forward link cdma2000 file ^a	FCDM	/USER/FCDMA	FCDMA:
FIR - finite impulse response filter file	FIR	/USER/FIR	FIR:
FSK - frequency shift keying modulation file ^a	FSK	/USER/FSK	FSK:
HDR1 - volatile arbitrary waveform header file ^a	HDR1	/USER/BBG1/HEADER	HDR1:
I/Q - modulation file ^a	IQ	/USER/IQ	IQ:
LIST - sweep list file	LIST	/USER/LIST	LIST:
MCDMA - ARB multicarrier CDMA file ^a	MCMD	/USER/MCDMA	MCDMA:
MDMOD - ARB multicarrier digital modulation file ^a	MDM	/USER/MDMOD	MDMOD:
MDWCDMA - ARB multicarrier downlink W-CDMA file ^a	MDWC	/USER/MDWCDMA	MDWCDMA:
MFCDMA - ARB multicarrier forward link cdma2000 file ^a	MFCD	/USER/MFCDMA	MFCDMA:
MKR1 - volatile arbitrary waveform marker file ^a	MKR1	/USER/BBG1/MARKERS	MKR1:
MTONE - ARB multitone file ^a	MTON	/USER/MTONE	MTONE:
NVHDR - non-volatile arbitrary waveform header file ^a	NVHDR	/USER/HEADER	NVHDR:
NVMKR - non-volatile arbitrary waveform marker file ^a	NVMKR	/USER/MARKERS	NVMKR:

Table 1-4 File Types and Directory Structures

File System	File Type	File Path	MSUS Path
NVWFM - non-volatile arbitrary waveform file ^a	NVWFM	/USER/WAVEFORM	NVWFM:
RCDMA - ARB reverse link cdma2000 file ^a	RCDM	/USER/RCDM	RCDM:
SEQ - ARB sequence file ^a	SEQ	/USER/SEQ	SEQ:
SHAPE - burst shape file ^a	SHAP	/USER/SHAPE	SHAPE:
STATE	STAT	/USER/STATE	STATE:
USERFLAT - user-flatness file	UFLT	/USER/USERFLAT	USERFLAT:
UWCDMA - ARB uplink W-CDMA file ^a	UWCD	/USER/UWCDMA	UWCDMA:
WFM1 - waveform file ^a	WFM1	/USER/BBG1/WAVEFORM	WFM1:

- a. This feature does not apply to the E4428C.
- b. This msus designator is optional.

MSUS (Mass Storage Unit Specifier) Variable

The variable "`<msus>`" enables a command to be file type specific when working with user files. Some commands use it as the only command parameter, while others can use it in conjunction with a file name when a command is not file type specific. When used with a file name, it is similar to Format 2 in the [“File Name Variables”](#) section on [page 13](#). The difference is the file type specifier (`msus`) occupies its own variable and is not part of the file name syntax.

The following examples illustrate the usage of the variable "`<msus>`" when it is the only command parameter:

Command Syntax with the msus variable

```
:MMEMory:CATalog? "<msus>"
```

Command Syntax with the file system

```
:MMEMory:CATalog? "LIST:"
```

The variable "`<msus>`" is replaced with "`LIST:`". When the command is executed, the output displays only the files from the List file system.

The following examples illustrate the usage of the variable "<file name>" with the variable "<msus>":

Command Syntax with the file name and msus variables

```
:MMEMory:DELEte[:NAME] "<file name>" , [ "<msus>" ]
```

Command Syntax with the file name and file system

```
:MMEMory:DELEte:NAME "LIST_1" , "LIST:"
```

The command from the above example cannot discern which file system LIST_1 belongs to without a file system specifier and will not work without it. When the command is properly executed, LIST_1 is deleted from the List file system.

The following example shows the same command, but using Format 2 from the [“File Name Variables”](#) section on [page 13](#):

```
:MMEMory:DELEte:NAME "LIST_1@LIST"
```

When a file name is a parameter for a command that is not file system specific, either format ("<file name>","<msus>" or "<file name@msus>") will work.

Refer to [Table 1-4 on page 14](#) for a listing of the file systems and types.

Quote Usage with SCPI Commands

As a general rule, programming languages require that SCPI commands be enclosed in double quotes as shown in the following example:

```
" :FM:EXTernal:IMPedance 600 "
```

However when a string is the parameter for a SCPI command, additional quotes or other delimiters may be required to identify the string. Your programming language may use two sets of double quotes, one set of single quotes, or back slashes with quotes to signify the string parameter. The following examples illustrate these different formats:

```
"MEMory:LOAD:LIST "myfile" " " used in BASIC programming languages
```

```
"MEMory:LOAD:LIST \"myfile\" \" \" used in C, C++, Java, and PERL
```

```
"MEMory:LOAD:LIST 'myfile' " accepted by most programming languages
```

Consult your programming language reference manual to determine the correct format.

Binary, Decimal, Hexadecimal, and Octal Formats

Command values may be entered using a binary, decimal, hexadecimal, or octal format. When the binary, hexadecimal, or octal format is used, their values must be preceded with the proper identifier. The decimal format (default format) requires no identifier and the signal generator assumes this format when a numeric value is entered without one. The following list shows the identifiers for the formats that require them:

- #B identifies the number as a binary numeric value (base-2).
- #H identifies the number as a hexadecimal alphanumeric value (base-16).
- #Q identifies the number as a octal alphanumeric value (base-8).

The following are examples of SCPI command values and identifiers for the decimal value 45:

#B101101	binary equivalent
#H2D	hexadecimal equivalent
#Q55	octal equivalent

The following example sets the RF output power to 10 dBm (or the equivalent value for the currently selected power unit, such as DEUV or DEUVEMF) using the hexadecimal value 000A:

```
:POW #H000A
```

A unit of measure, such as DBM or mV, will not work with the values when using a format other than decimal.

The following example sets the bluetooth board address to FFBF7 (hexadecimal):

```
:RADio:BLUEtooth:ARB:BDADdr #HFFBF7
```

2 Basic Function Commands

This chapter provides SCPI descriptions for subsystems dedicated to signal generator operations common to most ESG Signal Generators. This chapter contains the following major sections:

- “Correction Subsystem ([:SOURce]:CORRection)” on page 20
- “Digital Modulation Subsystem—E4438C ([:SOURce])” on page 22
- “Frequency Subsystem ([:SOURce])” on page 38
- “List/Sweep Subsystem ([:SOURce])” on page 49
- “Power Subsystem ([:SOURce]:POWer)” on page 58

Correction Subsystem ([:SOURce]:CORRection)

:FLATness:LOAD

Supported All Models

```
[ :SOURce ] :CORRection :FLATness :LOAD "<file name>"
```

This command loads a user-flatness correction file. The "<file name>" variable is the name of the file located in the Catalog of USERFLAT Files. The directory path is implied in the command and need not be specified in the variable name. For more information on file name syntax, refer to [“File Name Variables” on page 13](#).

Key Entry Load From Selected File

:FLATness:PAIR

Supported All Models

```
[ :SOURce ] :CORRection :FLATness :PAIR <freq>[<unit>], <corr>[<unit>]
```

This command sets a frequency and amplitude correction pair.

<corr . > This variable is the power correction.

Range	Frequency	Standard	Option UNB
	Option 501: 100kHz–1GHZ	–136 to 20DB	–136 to 25DB
	Option 502: 100kHz–2GHZ	–136 to 20DB	–136 to 25DB
	Option 503: 100kHz–3GHZ	–136 to 20DB	–136 to 25DB
	Option 504: 100kHz–4GHZ	–136 to 20DB	–136 to 25DB
	Option 506: 100kHz–6GHZ	–136 to 25DB	N/A

Key Entry Configure Cal Array

Remarks The maximum number of points that can be entered is 1601. Options 501, 502, and 504 are specific to the E4438C.

:FLATness:POINts

Supported All Models

```
[ :SOURce ] :CORRection :FLATness :POINts?
```

This query returns the number of points in the user-flatness correction file.

:FLATness:PRESet

Supported All Models

CAUTION The current correction data will be overwritten once this command is executed. Save the current data if needed. Refer to [“:FLATness:STORE” on page 21](#) for storing user-flatness files.

[:SOURCE] :CORRection :FLATness :PRESet

This command presets the user-flatness correction to a factory-defined setting that consists of one point.

Key Entry Preset List

:FLATness:STORE

Supported All Models

[:SOURCE] :CORRection :FLATness :STORE "<file name>"

This command stores the current user-flatness correction data to a file named by the :CORRection:FLATness:STORE. The directory path is implied in the command and need not be specified in the "<file name>" variable.

Key Entry Store To File

Remarks For information on file name syntax, refer to [“File Name Variables” on page 13](#).

[:STATE]

Supported All Models

[:SOURCE] :CORRection [:STATE] ON | OFF | 1 | 0

[:SOURCE] :CORRection [:STATE] ?

This command enables or disables the user-flatness corrections.

***RST** 0

Key Entry Flatness Off On

Digital Modulation Subsystem—E4438C ([:SOURce])

:BURSt:SOURce

Supported E4438C

[:SOURce] :BURSt :SOURce EXT[1] | INT[1]

[:SOURce] :BURSt :SOURce?

This command selects either an internally generated or an externally supplied burst source.

***RST** EXT

Key Entry Burst Envelope Int Ext Off

Remarks The external burst source is applied to the EXT 1 INPUT connector.
The INT[1] choice will not work unless an internal burst source is active.

:BURSt:STATe

Supported E4438C

[:SOURce] :BURSt :STATe ON | OFF | 1 | 0

[:SOURce] :BURSt :STATe?

This command enables or disables the burst envelope function.

***RST** 0

Key Entry Burst Envelope Int Ext Off

:DM:EXTernal:ALC:BANDwidth | BWIDth

Supported All Models

NOTE Refer to the *Programming Compatibility Guide* for information on this command. This command was replaced by the “:ALC:BANDwidth|BWIDth” command shown on [page 58](#) and the “:ALC:BANDwidth” command on [page 59](#).

:DM:EXTernal:HCRest[:STATe]

Supported E4438C

```
[ :SOURce ] :DM:EXTernal:HCRest [ :STATe ] ON | OFF | 1 | 0
[ :SOURce ] :DM:EXTernal:HCRest [ :STATe ] ?
```

This command changes the operating condition to accommodate I/Q inputs with a high crest factor.

ON(1) This choice turns high crest mode on for externally applied signals with high crest factors. High crest mode allows the signal generator to process these signals with less distortion. For crest factors higher than 4 dB, I/Q drive levels should be reduced by 1 dB for each dB above that level. In high crest mode, the maximum output level is reduced and power level accuracy is degraded.

OFF(0) This choice disables the high crest mode.

***RST** 0

Key Entry **High Crest Mode Off On**

:DM:EXTernal:FILTer

Supported E4438C

```
[ :SOURce ] :DM:EXTernal:FILTer 40e6 | THROugh
[ :SOURce ] :DM:EXTernal:FILTer ?
```

This command selects the filter or through path for I/Q signals routed to the rear panel I and Q outputs. Selecting a filter using this command will automatically set “:DM:EXTernal:FILTer:AUTO” on [page 23](#) to OFF(0) mode.

40e6 This choice applies a 40 MHz baseband filter.

THROugh This choice bypasses filtering.

***RST** THR

Key Entry **40.000 MHz Through**

:DM:EXTernal:FILTer:AUTO

Supported E4438C

```
[ :SOURce ] :DM:EXTernal:FILTer:AUTO ON | OFF | 1 | 0
[ :SOURce ] :DM:EXTernal:FILTer:AUTO ?
```

This command enables or disables the automatic selection of the filters for I/Q signals routed to the rear panel outputs.

Digital Modulation Subsystem—E4438C ([:SOURce])

ON(1)	This choice will automatically select a digital modulation filter optimized for the current signal generator settings.
OFF(0)	This choice disables the auto feature which lets you select a digital modulation filter or through path. Refer to “:DM:EXTernal:FILTer” on page 23 for selecting a filter or through path.
*RST	1
Key Entry	I/Q Output Filter Manual Auto

:DM:EXTernal:POLarity

Supported	E4438C
[:SOURce]:DM:EXTernal:POLarity NORMal INVert	
[:SOURce]:DM:EXTernal:POLarity?	
This command sets the phase polarity for the I/Q signal.	
*RST	NORM
Key Entry	Int Phase Polarity Normal Invert
Remarks	This command is for backward compatibility with the appropriate ESG E44xxB.

:DM:EXTernal:SOURce

Supported	E4438C
[:SOURce]:DM:EXTernal:SOURce EXTernal INTernal BBG1 EXT600 OFF SUM	
[:SOURce]:DM:EXTernal:SOURce?	
This command selects the I/Q signal source that is routed to the rear panel I and Q output connectors.	
EXTernal	This choice routes a portion of the externally applied signals at the 50 ohm I and Q input connectors to the rear panel I and Q output connectors.
INTernal	This choice is for backward compatibility with the appropriate ESG E44xxB and performs the same function as the BBG1 selection.
BBG1	This choice routes a portion of the baseband generator I/Q signals to the rear panel I and Q connectors and requires Option 001/601 or 002/602.
EXT600	This choice routes a portion of the externally applied signals at the 600 ohm I and Q input connectors to the rear panel I and Q output connectors.
OFF	This choice disables the output to the rear panel I and Q output connectors.

SUM	This choice routes a portion of the summed I/Q signals from source one and two, to the rear panel I and Q output connectors. See “ :DM:SRATio ” on page 36 for setting the summing ratio of the I/Q signals between source one and two.
*RST	EXT
Key Entry	Ext 50 Ohm BBG1 Ext 600 Ohm Off Sum
Remarks	The output is the analog component of the I and Q signals. For selecting the I/Q source, refer to “ :DM:SOURce ” on page 35.

:DM:IQADjustment:BBG:QSKew

Supported E4438C with Option 001/601 or 002/602

```
[ :SOURce ] :DM:IQADjustment:BBG:QSKew <val><unit>
[ :SOURce ] :DM:IQADjustment:BBG:QSKew?
```

This command affects both the rear-panel I and Q signals, and the RF output path by adjusting the phase angle (quadrature skew) of the Q vector.

Positive skew increases the angle from 90 degrees while negative skew decreases the angle from 90 degrees. When the quadrature skew is zero, the phase angle between the I and Q vectors is 90 degrees.

The <val> variable has a minimum resolution of 0.1. The command works with or without the unit variable.

Example

```
:DM:IQAD:BBG:QSK 4.5DEG
```

The preceding example increases the phase angle by 4.5 degrees.

***RST** +0.00000000E+000

Range -30 to 30DEG

Key Entry **Quadrature Angle Adjustment**

Remarks This command is effective only if the state of the I/Q adjustment function is set to ON. Refer to “[:DM:IQADjustment\[:STATe\]](#)” on page 32.

To change the quadrature skew on only the RF output path, see “[:DM:IQADjustment:QSKew](#)” on page 30.

:DM:IQADjustment:EXTernal:COFFset**Supported** E4438C

[:SOURce]:DM:IQADjustment:EXTernal:COFFset <val>

[:SOURce]:DM:IQADjustment:EXTernal:COFFset?

This command sets the common mode offset voltage for both the in-phase (I) and quadrature-phase (Q) signals going to the rear panel I and Q output connectors.

The variable <val> is expressed in units of volts (mV–V).

***RST** +0.00000000E+000**Range** –3 to 3**Key Entry** Common Mode I/Q Offset

Remarks This command is effective only if the state of the I/Q adjustment function is set to ON. Refer to “:DM:IQADjustment[:STATe]” on page 32.

:DM:IQADjustment:EXTernal:DIOFFset**Supported** E4438C

[:SOURce]:DM:IQADjustment:EXTernal:DIOFFset <val>

[:SOURce]:DM:IQADjustment:EXTernal:DIOFFset?

This command sets the differential offset voltage for an in-phase (I) signal routed to the I output connectors.

The variable <val> is expressed in units of volts (mV–V).

***RST** +0.00000000E+000**Range** –3 to 3**Key Entry** Diff. Mode I Offset

Remarks This command is effective only if the state of the I/Q adjustment function is set to ON. Refer to “:DM:IQADjustment[:STATe]” on page 32.

:DM:IQADjustment:EXtErnal:DQOFFset

Supported E4438C

[:SOURce] :DM:IQADjustment:EXtErnal:DQOFFset <val>

[:SOURce] :DM:IQADjustment:EXtErnal:DQOFFset?

This command sets the differential offset voltage for a quadrature-phase (Q) signal routed to the Q output connectors.

***RST** +0.00000000E+000

Range -4 to 4

Key Entry Diff. Mode Q Offset

Remarks This command is effective only if the state of the I/Q adjustment function is set to ON. Refer to “:DM:IQADjustment[:STATe]” on page 32.

:DM:IQADjustment:EXtErnal:GAIN

Supported E4438C

[:SOURce] :DM:IQADjustment:EXtErnal:GAIN <val>

[:SOURce] :DM:IQADjustment:EXtErnal:GAIN?

This command sets the I/Q gain ratio for signals routed to the rear panel I and Q output connectors.

The variable <val> is expressed in units of decibels (dB).

***RST** +0.00000000E+000

Range -4 to 4

Key Entry I/Q Out Gain Balance

Remarks This command is effective only if the state of the I/Q adjustment function is set to ON. Refer to “:DM:IQADjustment[:STATe]” on page 32.

:DM:IQADjustment:EXtErnal:IOFFset

Supported E4438C

[:SOURce] :DM:IQADjustment:EXtErnal:IOFFset <val>

[:SOURce] :DM:IQADjustment:EXtErnal:IOFFset?

This command sets the offset voltage for a signal applied to the 600 ohm I input connector.

The variable <val> is expressed in units of volts (mV–V).

***RST** +0.00000000E+000

Key Entry Ext In 600 Ohm I Offset

Range –5 to 5

Remarks This command is effective only if the state of the I/Q adjustment function is set to ON. Refer to “:DM:IQADjustment[:STATe]” on page 32.

:DM:IQADjustment:EXtErnal:IQATten

Supported E4438C

[:SOURce] :DM: IQADjustment : EXtErnal : IQATten <val>

[:SOURce] :DM: IQADjustment : EXtErnal : IQATten?

This command sets the I/Q output attenuation level.

The variable <val> is expressed in units of decibels (dB).

***RST** +6.00000000E+000

Range 0–40

Key Entry I/Q Output Atten

Remarks The value set by this command is active even if the I/Q adjustment function is off.

:DM:IQADjustment:EXtErnal:QOFFset

Supported E4438C

[:SOURce] :DM: IQADjustment : EXtErnal : QOFFset <val>

[:SOURce] :DM: IQADjustment : EXtErnal : QOFFset?

This command sets the offset voltage for a signal applied to the 600 ohm Q input connector.

The variable <val> is expressed in units of volts (mV–V).

***RST** +0.00000000E+000

Range –5 to 5

Key Entry Ext In 600 Ohm Q Offset

Remarks This command is effective only if the state of the I/Q adjustment function is set to ON. Refer to “:DM:IQADjustment[:STATe]” on page 32.

:DM:IQADjustment:GAIN

Supported E4438C

[:SOURce] :DM:IQADjustment:GAIN <val>

[:SOURce] :DM:IQADjustment:GAIN?

This command sets the gain for the I signal relative to the Q signal.

The variable <val> is expressed in units of decibels (dB).

***RST** +0.00000000E+000

Range -4 to 4

Key Entry I/Q Gain Balance Source 1

Remarks This command is effective only if the state of the I/Q adjustment function is set to ON. Refer to “:DM:IQADjustment[:STATe]” on page 32.

:DM:IQADjustment:IOFFset

Supported E4438C

[:SOURce] :DM:IQADjustment:IOFFset <val>

[:SOURce] :DM:IQADjustment:IOFFset?

This command adjusts the I channel offset value.

The variable <val> is expressed in units of percent with a minimum resolution of 0.025.

***RST** +0.00000000E+000

Range -50.000 to 50.000

Key Entry I Offset

Remarks When using this command to minimize the LO feedthrough signal, optimum performance is achieved when the command is sent after all other I/Q path commands are executed, such as those that change the internal phase polarity or adjust the modulator attenuator. If other adjustments are made after minimizing is performed, the LO feedthrough signal may increase.

This command is effective only if the state of the I/Q adjustment function is set to ON. Refer to “:DM:IQADjustment[:STATe]” on page 32.

:DM:IQADjustment:QOFFset**Supported** E4438C[:SOURce]:DM:IQADjustment:QOFFset
[:SOURce]:DM:IQADjustment:QOFFset?

This command adjusts the Q channel offset value.

The variable <val> is expressed in units of percent with a minimum resolution of 0.025.

***RST** +0.00000000E+000**Range** -50.000 to 50.000**Key Entry** Q Offset

Remarks When using this command to minimize the LO feedthrough signal, optimum performance is achieved when the command is sent after all other I/Q path commands are executed, such as those that change the internal phase polarity or adjust the modulator attenuator. If other adjustments are made after minimizing is performed, the LO feedthrough signal may increase.

This command is effective only if the state of the I/Q adjustment function is set to ON. Refer to “:DM:IQADjustment[:STATe]” on page 32.

:DM:IQADjustment:QSKew**Supported** E4438C[:SOURce]:DM:IQADjustment:QSKew <val>
[:SOURce]:DM:IQADjustment:QSKew?

This command adjusts the phase angle (quadrature skew) between the I and Q vectors by increasing or decreasing the Q phase angle. It affects only the RF output path.

If the signal generator is operating at frequencies greater than 3.3 GHz, quadrature skew settings greater than ± 5 degrees will not be within specifications.

Positive skew increases the angle from 90 degrees while negative skew decreases the angle from 90 degrees. When the quadrature skew is zero, the phase angle between the I and Q vectors is 90 degrees.

The <val> variable is expressed in degrees with a minimum resolution of 0.1.

Example

:DM:IQAD:QSK 4.5

The preceding example increases the phase angle by 4.5 degrees.

*RST	+0.00000000E+000
Range	-1E1 to +1E1
Key Entry	Quadrature Angle Adjustment
Remarks	This command is effective only if the state of the I/Q adjustment function is set to ON. Refer to “:DM:IQADjustment[:STATe]” on page 32. To change the quadrature skew for both the rear-panel I and Q signals, and RF output path, see “:DM:IQADjustment:BBG:QSKew” on page 25 (requires Option 001/601 or 002/602).

:DM:IQADjustment:SKEW

Supported E4438C

```
[ :SOURce ] :DM:IQADjustment:SKEW[ :DELay ] <val>
[ :SOURce ] :DM:IQADjustment:SKEW?
```

This command changes the input skew which is a time delay difference between the I and Q signals. Equal and opposite skew is applied to both I and Q and affects the RF Output and I/Q output paths simultaneously. A positive value delays the I signal relative to the Q signal, and a negative value delays the Q signal relative to the I signal.

If the internal I/Q correction path is set to RF or BB the I/Q signals are already optimized and adjusting I/Q skew would add an impairment to the signals. If the internal I/Q correction path is set to Off, then adjusting the I/Q skew could improve the I/Q signals. The I/Q skew adjustment cannot be performed on the MSK, FSK, and C4FM constant envelope modulations.

I/Q skew adjustments are preserved when the instrument state is saved. I/Q skew adjustments are also preserved when instrument settings are changed. If the signal generator is calibrated, the skew adjustments are added to the calibration value used for the given signal generator state. If the signal generator is uncalibrated, the skew adjustments are re-applied directly.

Using I/Q skew while playing a user FIR file greater than 32 symbols will generate an error.

The variable <val> is expressed in seconds. Range limits are determined by the modulation configuration but is limited to a maximum of ± 2 seconds.

Example

```
:DM:IQAD:SKEW .5
```

The preceding example sets the time delay difference between the I and Q signals to 500 milliseconds.

***RST** +0.00000000E+000

Key Entry I/Q Timing Skew

:DM:IQADjustment:SKEW:Path**Supported** E4438C

[:SOURce]:DM:IQADjustment:SKEW:PATH RF BB

[:SOURce]:DM:IQADjustment:SKEW?

This command selects either the RF or BB (baseband) path as the path to which skew timing corrections will be applied. If there are no factory I/Q timing skew corrections data, then adjusting the I/Q timing skew for the selected path may improve the error vector magnitude (EVM) of the signal. Refer to the “[:DM:IQADjustment:SKEW](#)” on page 31 for more information.

If internal I/Q corrections are available for the RF or external I/Q output (BB) path then the I/Q signals are already optimized and adjusting I/Q skew for either path would add an impairment to the signal.

Example

:DM:IQAD:SKEW:PATH RF

The preceding example selects the RF path as the path to which skew timing adjustments will be made.

RST** +0.00000000E+000**Key Entry** I/Q Timing Skew Path**:DM:IQADjustment[:STATe]*Supported** E4438C

[:SOURce]:DM:IQADjustment[:STATe] ON|OFF|1|0

[:SOURce]:DM:IQADjustment[:STATe]?

This command enables or disables the I/Q adjustments.

Example

:DM:IQAD 1

The preceding example enables I/Q adjustments.

RST** 0**Key Entry** I/Q Adjustments Off On**:DM:MODulation:FILTer*Supported** E4438C

[:SOURce]:DM:MODulation:FILTer 2.1e6|40e6|THROUGH

[:SOURce]:DM:MODulation:FILTer?

This command enables you to select a filter or through path for I/Q signals modulated onto the RF carrier. Selecting a filter with this command automatically sets “:DM:MODulation:FILTer:AUTO” to OFF(0).

2.1E6 This choice applies a 2.1 MHz baseband filter to the I/Q signals.

40E6 This choice applies a 40 MHz baseband filter to the I/Q signals.

THRough This choice bypasses filtering.

***RST** THR

Key Entry 2.100 MHz 40.000 MHz Through

:DM:MODulation:FILTer:AUTO

Supported E4438C

```
[ :SOURce ] :DM:MODulation:FILTer:AUTO ON|OFF|1|0
[ :SOURce ] :DM:MODulation:FILTer:AUTO?
```

This command enables or disables the automatic selection of the filters for I/Q signals modulated onto the RF carrier.

ON(1) This choice will automatically select a digital modulation filter.

OFF(0) This choice disables the auto feature which lets you select a digital modulation filter or through path. Refer to “:DM:MODulation:FILTer” on page 32 for selecting a filter or through path.

***RST** 1

Key Entry I/Q Mod Filter Manual Auto

:DM:MODulation:ATTen

Supported E4438C

```
[ :SOURce ] :DM:MODulation:ATTen <val>
[ :SOURce ] :DM:MODulation:ATTen?
```

This command attenuates the I/Q signals being modulated through the signal generator RF path.

The variable <val> is expressed in units of decibels (dB).

***RST** +2.00000000E+000

Range 0–40

Key Entry Modulator Atten Manual Auto

:DM:MODulation:ATTen:AUTO**Supported** E4438C

[:SOURce]:DM:MODulation:ATTen:AUTO ON|OFF|1|0

[:SOURce]:DM:MODulation:ATTen:AUTO?

This command enables or disables the I/Q attenuation auto mode.

ON (1) This choice enables the attenuation auto mode which optimizes the modulator attenuation for the current conditions.

OFF (0) This choice holds the attenuator at its current setting or at a selected value. Refer to “:DM:MODulation:ATTen” on page 33 for setting the attenuation value.

RST** 1**Key Entry** Modulator Atten Manual Auto**:DM:POLarity[:ALL]*Supported** E4438C

[:SOURce]:DM:POLarity[:ALL] NORMal|INVert

[:SOURce]:DM:POLarity?

This command sets the digital modulation phase polarity.

NORMal This choice selects normal phase polarity for the I and Q signals.

INVert This choice flips the I and Q signals by routing the I signal to the Q input of the I/Q modulator and the Q signal to the I input.

***RST** NORM**Key Entry** Int Phase Polarity Normal Invert

:DM:SKEW:PATH

Supported E4438C

[:SOURce] :DM:SKEW:PATH RF | BB

[:SOURce] :DM:SKEW:PATH?

This command selects the skew path.

RF When RF is selected, the skew is optimized for the I/Q signal applied to the RF Output. The BB output will be functional, but the I/Q timing skew applied will be optimized for the RF path. When using this choice, seven symbols of latency are added to the Arb based waveform. While in real-time mode, the maximum number of user symbols for the FIR is limited to 32.

BB When BB is selected, the skew is optimized for the I/Q signal outputs on the rear panel. The RF Output will be functional, but the I/Q timing skew applied will be optimized for the BB path. When using this choice, seven symbols of latency are added to the Arb based waveform. While in real-time mode, the maximum number of user symbols for the FIR is limited to 32.

***RST** INT

Key Entry Int I/Q Skew Corrections RF BB Off

:DM:SKEW[:STATe]

Supported E4438C

[:SOURce] :DM:SKEW[:STATe] ON | OFF | 1 | 0

[:SOURce] :DM:SKEW[:STATe]?

This command enables or disables the I/Q timing skew correction function.

***RST** 1

Key Entry Int I/Q Skew Corrections RF BB Off

:DM:SOURce

Supported E4438C

[:SOURce] :DM:SOURce[1] | 2 EXTernal | INTernal | BBG1 | EXT600 | OFF

[:SOURce] :DM:SOURce?

This command selects the I/Q modulator source.

EXTernal This choice selects a 50 ohm impedance for the I and Q input connectors and routes the applied signals to the I/Q modulator.

Basic Function Commands

Digital Modulation Subsystem—E4438C (:SOURce)

INTernal	This choice is for backward compatibility with the appropriate ESG E44xxB and performs the same function as the BBG1 selection.			
BBG1	This choice selects the baseband generator as the source for the I/Q modulator and requires Option 001/601 or 002/602.			
EXT600	This choice selects a 600 ohm impedance for the I and Q input connectors and routes the applied signals to the I/Q modulator.			
OFF	This choice disables the digital modulation source.			
*RST	EXT			
Key Entry	Ext 50 Ohm	BBG1	Ext 600 Ohm	Off

:DM:SRATio

Supported E4438C

[:SOURce]:DM:SRATio <val><unit>

[:SOURce]:DM:SRATio?

This command sets the power level difference (ratio) between the source one and source two signals when the two signals are summed together. A positive ratio value reduces the amplitude for source two, while a negative ratio value reduces the amplitude for source one.

The range for the summing ratio is dependent on the modulator attenuator (mod atten) setting for the signal generator that is summing the signals together. The minimum range is achieved when the modulator attenuator setting is zero and the maximum range is reached when the maximum attenuator value is used. The range can be calculated using the following formula:

$$\pm \text{Range} = 50 \text{ dB} + \text{Mod Atten}$$

***RST** +0.00000000E+000

Range *Min:* ± 50 dB *Max:* ± 90 dB

Key Entry **Summing Ratio (SRC1/SRC2) x.xx dB**

Remarks For real-time modulation format modulator attenuator settings, see [“:DM:MODulation:ATTen” on page 33](#) and [“:DM:MODulation:ATTen:AUTO” on page 34](#). For an Arb modulation format modulator attenuator setting, refer to the SCPI command subsystem for the Arb format being used and find the commands that contain the command mnemonics IQ:MODulation:ATTen.

:DM:STATe

Supported E4438C

[:SOURce] :DM:STATe ON | OFF | 1 | 0

[:SOURce] :DM:STATe?

This command enables or disables the I/Q modulator.

ON (1) This choice enables the internal I/Q modulator.

OFF (0) This choice disables the internal I/Q modulator. You can turn off the I/Q modulation with this choice even though a digital modulation format is enabled. With this configuration, the RF output signal will not be modulated, but the I/Q signals may be present at the rear panel I and Q outputs depending on the rear panel output selection.

***RST** 0

Key Entry I/Q Off On

Remarks The I/Q modulator is enabled whenever a digital format is turned on.
The I/Q annunciator will be shown on the signal generator display whenever the I/Q modulator is on.

Frequency Subsystem ([:SOURce])

:FREQuency:CHANnels:BAND

Supported All Models

```
[ :SOURce ] :FREQuency:CHANnels:BAND NBASe | NMOBile | BPGSm | MPGSm | BEGSm | MEGSm |  
BRGSm | MRGSm | BDCS | MDCS | BPCS | MPCS | B450 | GM450 | B480 | M480 | B850 | M850 | B8 | M8 | B15  
| M15 | B390 | B420 | B460 | B915 | M380 | M410 | M450 | M870 | PHS | DECT  
[ :SOURce ] :FREQuency:CHANnels:BAND?
```

This command sets the frequency of the signal generator by specifying a frequency channel band.

NBASe	This choice selects Standard Base as the frequency band for NADC.
NMOBile	This choice selects Standard Mobile as the frequency band for NADC.
BPGSm	This choice selects P-Gsm 900 Base as the frequency band for GSM.
MPGSm	This choice selects P-Gsm 900 Mobile as the frequency band for GSM.
BEGSm	This choice selects E-Gsm 900 Base as the frequency band for GSM.
MEGSm	This choice selects E-Gsm 900 Mobile as the frequency band for GSM.
BRGSm	This choice selects R-Gsm 900 Base as the frequency band for GSM.
MRGSm	This choice selects R-Gsm 900 Mobile as the frequency band for GSM.
BDCS	This choice selects DCS 1800 Base as the frequency band for GSM.
MDCS	This choice selects DCS 1800 Mobile as the frequency band for GSM.
BPCS	This choice selects PCS 1900 Base as the frequency band for GSM.
MPCS	This choice selects PCS 1900 Mobile as the frequency band for GSM.
B450	This choice selects Gsm 450 Base as the frequency band for GSM.
GM450	This choice selects Gsm 450 Mobile as the frequency band for GSM.
B480	This choice selects Gsm 480 Base as the frequency band for GSM.
M480	This choice selects Gsm 480 Mobile as the frequency band for GSM.
B850	This choice selects Gsm 850 Base as the frequency band for GSM.
M850	This choice selects Gsm 850 Mobile as the frequency band for GSM.
B8	This choice selects 800MHz Base as the frequency band for PDC.

M8	This choice selects 800MHz Mobile as the frequency band for PDC.
B15	This choice selects 1500MHz Base as the frequency band for PDC.
M15	This choice selects 1500MHz Mobile as the frequency band for PDC.
B390	This choice selects Base 390-400 as the frequency band for TETRA.
B420	This choice selects Base 420-430 as the frequency band for TETRA.
B460	This choice selects Base 460-470 as the frequency band for TETRA.
B915	This choice selects Base 915-921 as the frequency band for TETRA.
M380	This choice selects Mobile 380-390 as the frequency band for TETRA.
M410	This choice selects Mobile 410-420 as the frequency band for TETRA.
M450	This choice selects Mobile 450-460 as the frequency band for TETRA.
M870	This choice selects Mobile 870-876 as the frequency band for TETRA.
PHS	This choice selects Standard PHS as the frequency band.
DECT	This choice selects Standard DECT as the frequency band.

***RST**

BPGS

Key Entry

P-GSM Base	E-GSM Base	R-GSM Base	DCS Base
PCS Base	GSM 450 Base	GSM 480 Base	GSM 850 Base
NADC Base	800MHZ Base	1500MHZ Base	
Tetra Base 390/400	Tetra Base 420/430	Tetra Base 460/470	
Tetra Base 915/921	PHS Standard	DECT Standard	
P-GSM Mobile	E-GSM Mobile	R-GSM Mobile	DCS Mobile
PCS Mobile	GSM 450 Mobile	GSM 480 Mobile	GSM 850 Mobile
NADC Mobile	800MHZ Mobile	1500MHZ Mobile	
Tetra Mobile 380/390	Tetra Mobile 410/420	Tetra Mobile 450/460	
Tetra Mobile 870/876			

Remarks

The frequency channel state must be enabled for this command to work. Refer to “:FREQUENCY:CHANNELS[:STATE]” on page 41.

:FREQuency:CHANnels:NUMBer

Supported All Models

[:SOURce] :FREQuency:CHANnels:NUMBer <number>

[:SOURce] :FREQuency:CHANnels:NUMBer?

This command sets the frequency of the signal generator by specifying a channel number of a given frequency band.

***RST** +1

Range	P-GSM Base/Mobile:	1–24
	E-GSM and R-GSM Base/Mobile:	1–1023
	DCS Base/Mobile:	512–885
	PCS Base/Mobile:	512–900
	GSM-450 Base/Mobile:	259–293
	GSM-480 Base/Mobile:	306–340
	GSM-850 Base/Mobile:	128–251
	NADC Base/Mobile:	1–1023
	800MHZ Base/Mobile:	0–640
	1500MHZ Base/Mobile:	0–960
	TETRA 380/390 Mobile:	3600–4000
	TETRA 390/4000 Base:	3600–4000
	TETRA 410/420 Mobile:	800–1200
	TETRA 420/430 Base:	800–1200
	TETRA 460/470: 2400 through 2800	2400–2800
	TETRA 870/876 Mobile:	600–640
	TETRA 915/921 Base:	600–940
	PHS Standard:	1–255
	DECT Standard:	0–9

Key Entry Channel Number

Remarks The frequency channel state must be enabled for this command to work. Refer to “:FREQuency:CHANnels[:STATe]” on page 41.

:FREQuency:CHANnels[:STATe]

Supported All Models

```
[ :SOURce ] :FREQuency:CHANnels [ :STATe ] ON | OFF | 1 | 0
[ :SOURce ] :FREQuency:CHANnels [ :STATe ] ?
```

This command enables or disables the frequency channel and band selection to set the output frequency.

***RST** 0

Key Entry Freq Channels Off On

Remarks To set frequency channels band refer to “[:FREQuency:CHANnels:BAND](#)” on [page 38](#).

:FREQuency:FIXed

Supported All Models

```
[ :SOURce ] :FREQuency:FIXed <val><unit> | UP | DOWN
[ :SOURce ] :FREQuency:FIXed ?
```

This command sets the signal generator output frequency, or increments or decrements the current RF frequency setting.

<val> A frequency value.

UP Increases the current frequency setting by the value set with the “[:FREQuency\[:CW\]:STEP\[:INCRement\]](#)” command found on [page 47](#). The front-panel up-arrow key performs the same function.

DOWN Decreases the current frequency setting by the value set with the “[:FREQuency\[:CW\]:STEP\[:INCRement\]](#)” command found on [page 47](#). The front-panel down-arrow key performs the same function.

***RST** Option 501: +10000000000000E+09
 Option 502: +20000000000000E+09
 Option 503: +30000000000000E+09
 Option 504: +40000000000000E+09
 Option 506: +60000000000000E+09

Range E4438C Option 501: 100kHz–1GHZ
 E4438C Option 502: 100kHz–2GHZ
 Option 503: 100kHz–3GHZ
 E4438C Option 504: 100kHz–4GHZ

Remarks Option 506: 100kHz–6GHz
 To set the frequency mode to FIXed, refer to “:FREQuency:MODE” on page 42.
 A frequency change may affect the current output power. Refer to “[:LEVel][:IMMediate][:AMPLitude]” on page 69 for the correct specified frequency and amplitude settings.

:FREQuency:MODE

Supported All Models

```
[ :SOURce ] :FREQuency:MODE CW | FIXed | LIST
[ :SOURce ] :FREQuency:MODE?
```

This command sets the frequency mode of the signal generator to CW or swept.

CW and FIXed These choices are synonymous with one another and stops a frequency sweep, allowing the ESG to operate at a set frequency. Refer to “:FREQuency[:CW]” on page 46 for setting the frequency in the CW mode and to “:FREQuency:FIXed” on page 41 for setting the frequency in the FIXed mode.

LIST This choice selects the swept frequency mode. If sweep triggering is set to immediate along with continuous sweep mode, executing the command starts the LIST or STEP frequency sweep.

NOTE To perform a frequency and amplitude sweep, you must also select LIST as the power mode. See “:MODE” on page 66 for selecting the list mode for an amplitude sweep.

***RST** CW

Key Entry Frequency Freq Off

:FREQuency:MULTiplier

Supported All Models

```
[ :SOURce ] :FREQuency:MULTiplier <val>
[ :SOURce ] :FREQuency:MULTiplier?
```

This command sets the multiplier for the signal generator carrier frequency.

***RST** +1.00000000E+000

Range Negative Values: –100 to –.001 Positive Values: .001–1000

Key Entry Freq Multiplier

Remarks For any multiplier other than one, the MULT indicator is shown in the frequency area of the display.

:FREQuency:OFFSet

Supported All Models

```
[ :SOURce ]:FREQuency:OFFSet <val><unit>
[ :SOURce ]:FREQuency:OFFSet?
```

This command sets the frequency offset.

The query of this command returns a value equal to the original output frequency times the multiplier value, plus the frequency offset value.

***RST** +0.00000000000000E+00

Range -200GHZ to 200GHZ

Key Entry Freq Offset

Remarks When an offset has been entered, the OFFS indicator is turned on in the frequency area of the display.

The frequency offset state is turned on when any non-zero value is entered; entering zero will turn it off. Refer to “:FREQuency:OFFSet:STATe” for setting the offset state independent of entering offset values.

:FREQuency:OFFSet:STATe

Supported All Models

```
[ :SOURce ]:FREQuency:OFFSet:STATe ON|OFF|1|0
[ :SOURce ]:FREQuency:OFFSet:STATe?
```

This command enables or disables the offset frequency.

***RST** 0

Key Entry Freq Offset

Remarks Entering OFF (0) will set the frequency offset to 0 Hz.

:FREQuency:REFerence

Supported All Models

```
[ :SOURce ]:FREQuency:REFerence <val><unit>
[ :SOURce ]:FREQuency:REFerence?
```

This command sets the output reference frequency.

Basic Function Commands

Frequency Subsystem ([:SOURce])

*RST	+0.0000000000000E+00
Range	Option 501: 0HZ–1GHZ Option 502: 0HZ–2GHZ Option 503: 0HZ–3GHZ Option 504: 0HZ–4GHZ Option 506: 0HZ–6GHZ
Key Entry	Freq Ref Set
Remarks	Options 501, 502, and 504 are specific to the E4438C.

:FREQuency:REFErence:STATe

Supported All Models

```
[ :SOURce ] :FREQuency:REFErence:STATe ON|OFF|1|0  
[ :SOURce ] :FREQuency:REFErence:STATe?
```

This command enables or disables the frequency reference mode.

***RST** 0

Key Entry Freq Ref Off On

Remarks When the frequency reference mode is on, subsequent frequency parameters are set relative to the reference value.

:FREQuency:START

Supported All Models

```
[ :SOURce ] :FREQuency:START <val><unit>  
[ :SOURce ] :FREQuency:START?
```

This command sets the first frequency point in a step sweep.

***RST** Option 501: +1000000000000E+09
Option 502: +2000000000000E+09
Option 503: +3000000000000E+09
Option 504: +4000000000000E+09
Option 506: +6000000000000E+09

Range Option 501: 100kHz–1GHZ
Option 502: 100kHz–2GHZ
Option 503: 100kHz–3GHZ

	Option 504: 100kHz–4GHz
	Option 506: 100kHz–6GHz
Key Entry	Freq Start
Remarks	Options 501, 502, and 504 are specific to the E4438C.

:FREQuency:STOP

Supported	All Models
	[:SOURce] :FREQuency:STOP <val><unit>
	[:SOURce] :FREQuency:STOP?
	This command sets the last frequency point in a step sweep.
*RST	Option 501: +10000000000000E+09
	Option 502: +20000000000000E+09
	Option 503: +30000000000000E+09
	Option 504: +40000000000000E+09
	Option 506: +60000000000000E+09
Range	Option 501: 100kHz–1GHz
	Option 502: 100kHz–2GHz
	Option 503: 100kHz–3GHz
	Option 504: 100kHz–4GHz
	Option 506: 100kHz–6GHz
Key Entry	Freq Stop
Remarks	Options 501, 502, and 504 are specific to the E4438C.

:FREQuency:SYNThesis

Supported	E4438C except with Option UNJ
	[:SOURce] :FREQuency:SYNThesis 1 2
	[:SOURce] :FREQuency:SYNThesis?
	This command sets the phase-lock loop (PLL) bandwidth to optimize phase noise for offsets above and below 10 kHz.
1	This choice will select mode 1 which optimize phase noise at offsets below 10 kHz.
2	This choice will select mode 2 which optimizes phase noise at offsets above

Basic Function Commands

Frequency Subsystem ([:SOURce])

10 kHz.

***RST** +1

Key Entry **Mode 1 Optimize <10kHz Offset** **Mode 2 Optimize >10kHz Offset**

:FREQuency[:CW]

Supported All Models

[:SOURce] :FREQuency [:CW] <val><unit> | UP | DOWN

[:SOURce] :FREQuency [:CW] ?

This command sets the signal generator output frequency for the CW frequency mode, or increments or decrements the current RF frequency setting.

<val> A frequency value.

UP Increases the current frequency setting by the value set with the “:FREQuency[:CW]:STEP[:INCRement]” command found on [page 47](#). The front-panel up-arrow key performs the same function.

DOWN Decreases the current frequency setting by the value set with the “:FREQuency[:CW]:STEP[:INCRement]” command found on [page 47](#). The front-panel down-arrow key performs the same function.

***RST** Option 501: +10000000000000E+09
Option 502: +20000000000000E+09
Option 503: +30000000000000E+09
Option 504: +40000000000000E+09
Option 506: +60000000000000E+09

Range E4438C Option 501: 100kHz–1GHZ
E4438C Option 502: 100kHz–2GHZ
Option 503: 100kHz–3GHZ
E4438C Option 504: 100kHz–4GHZ
Option 506: 100kHz–6GHZ

Key Entry **Frequency**

Remarks To set the frequency mode to CW, refer to “:FREQuency:MODE” on [page 42](#).

A frequency change may affect the current output power. Refer to “[:LEVel][:IMMediate][:AMPLitude]” on [page 69](#) for the correct specified frequency and amplitude settings.

:FREQuency[:CW]:STEP[:INCRement]

Supported All Models

```
[ :SOURce ] :FREQuency [ :CW ] :STEP [ :INCRement ] <val><unit>
[ :SOURce ] :FREQuency [ :CW ] :STEP [ :INCRement ] ?
```

This command sets the incremental step value for the frequency parameter.

Range .01 Hz–99 GHz

Key Entry Incr Set

Remarks The value set with this command is not affected by *RST or a power cycle.

:PHASe:REFerence

Supported All Models

```
[ :SOURce ] :PHASe :REFerence
```

This command sets the current output phase as a zero reference.

Key Entry Phase Ref Set

Remarks Subsequent phase adjustments are set relative to the new reference.

:PHASe[:ADJust]

Supported All Models

```
[ :SOURce ] :PHASe [ :ADJust ] <val><unit>
[ :SOURce ] :PHASe [ :ADJust ] ?
```

This command adjusts the phase of the modulating signal.

The query will only return values in radians.

***RST** +0.00000000E+000

Range Radians: –3.14 to 3.14RAD Degrees: –180 to 179DEG

Key Entry Adjust Phase

:ROSCillator:SOURce

Supported All Models

```
[ :SOURce ] :ROSCillator :SOURce ?
```

This command queries the source of the reference oscillator. It returns either INT (internal) or EXT (external).

:ROSCillator:SOURce:AUTO

Supported All Models except signal generators with Option UNJ

```
[ :SOURce ]:ROSCillator:SOURce:AUTO ON|OFF|1|0  
[ :SOURce ]:ROSCillator:SOURce:AUTO?
```

This command enables or disables the ability of the signal generator to automatically select between the internal and an external reference oscillator.

ON (1) This choice enables the signal generator to detect when a valid reference signal is present at the 10 MHz IN connector and automatically switches from internal to external frequency reference.

OFF (0) This choice selects the internal reference oscillator and disables the switching capability between the internal and an external frequency reference.

***RST** 1

Key Entry Ref Oscillator Source Auto Off On

List/Sweep Subsystem ([:SOURce])

A complete sweep setup requires commands from other subsystems. [Table 2-1](#) shows the function and location of these other commands.

Table 2-1 Location of Commands from the other Subsystems

Sweep Type	Function	Command Location	Key Entry under Sweep/List key
List and Step	Start/stop frequency sweep	“:FREQuency:MODE” on page 42	Freq Off
	Start/stop amplitude sweep	“:MODE” on page 66	Ampl Off
	Start/stop frequency and amplitude sweep ¹	“:MODE” on page 66 “:FREQuency:MODE” on page 42	Freq & Ampl Off
	Set up and control sweep triggering ²	“Trigger Subsystem” on page 166	See the “Trigger Subsystem”
List	Load a list sweep file	“:LOAD:LIST” on page 123 and page 127	Load From Selected File
	Store list sweep data to a file	“:STORE:LIST” on page 123 and page 127	Store To File
Step	Start frequency sweep	“:FREQuency:START” on page 44	Freq Start
	Store list sweep data to a file	“:STORE:LIST” on page 123 and page 127	Store To File
	Start amplitude sweep	“:START” on page 67	Ampl Start
	Stop amplitude sweep	“:STOP” on page 68	Ampl Stop

1. Execute both commands to start or stop a frequency and amplitude sweep.
2. For point to point triggering, see [“:LIST:TRIGger:SOURce” on page 54](#).

:LIST:DIRection**Supported** All Models

[:SOURce]:LIST:DIRection UP|DOWN

[:SOURce]:LIST:DIRection?

This command sets the direction of a list or step sweep.

UP This choice enables a sweep in an ascending order:

- first to last point for a list sweep
- start to stop for a step sweep

DOWN This choice reverses the direction of the sweep.

RST** UP**Key Entry** Sweep Direction Down Up**:LIST:DWELL*Supported** All Models

[:SOURce]:LIST:DWELL <val>{,<val>}

[:SOURce]:LIST:DWELL?

This command sets the dwell time for the current list sweep points.

The variable <val> is expressed in units of seconds with a 0.001 resolution.

NOTE The dwell time (<val>) does not begin until the signal generator has settled for the current frequency and/or amplitude change.

Range 0.001–60**Remarks** Dwell time is used when IMMEDIATE is the trigger source. Refer to [“:LIST:TRIGger:SOURce” on page 54](#) for the trigger setting.

The dwell time is the amount of time the sweep is guaranteed to pause after setting the frequency and/or power for the current point.

The setting enabled by this command is not affected by signal generator power-on, preset, or *RST.

:LIST:DWELl:POINTs

Supported All Models

```
[ :SOURce ] :LIST:DWELl :POINTs?
```

This command queries the signal generator for the number of dwell points in the current list sweep file.

:LIST:DWELl:TYPE

Supported All Models

```
[ :SOURce ] :LIST:DWELl :TYPE LIST | STEP
```

```
[ :SOURce ] :LIST:DWELl :TYPE?
```

This command toggles the dwell time for the list sweep points between the values defined in the list sweep and the value for the step sweep.

LIST This choice selects the dwell times from the list sweep. Refer to [“:LIST:DWELl” on page 50](#) for setting the list dwell points.

STEP This choice selects the dwell time from the step sweep. Refer to [“:SWEep:DWELl” on page 56](#) for setting the step dwell.

***RST** LIST

Key Entry Dwell Type List Step

:LIST:FREQuency

Supported All Models

```
[ :SOURce ] :LIST:FREQuency <val>{ , <val> }
```

```
[ :SOURce ] :LIST:FREQuency?
```

This command sets the frequency values for the current list sweep points.

The variable <val> is expressed in units of Hertz.

Range Option 501: 100E3–1E9

Option 502: 100E3–2E9

Option 503: 100E3–3E9

Option 504: 100E3–4E9

Option 506: 100E3–6E9

Remarks The setting enabled by this command is not affected by signal generator power-on, preset, or *RST. Options 501, 502, and 504 are specific to the E4438C. The maximum number of list sweep points is 1,601.

:LIST:FREQuency:POINts

Supported All Models

[:SOURce] :LIST:FREQuency:POINts?

This command queries the current list sweep file for the number of frequency points.

:LIST:MANual

Supported All Models

[:SOURce] :LIST:MANual <val>

[:SOURce] :LIST:MANual?

This command sets a list or step sweep point as the current sweep point controlling the frequency and power output.

Range List Sweep: 1–1601 Step Sweep: 2-65535

Key Entry Manual Point

Remarks If list or step mode is controlling frequency or power, or both, then the indexed point in the respective list(s) will be used.

Entering a value with this command will have no effect, unless MANual is the selected mode. Refer to “:LIST:MODE” on page 53 for setting the proper mode.

If the point selected is beyond the length of the longest enabled list, then the point will be set to the maximum possible point, and an error will be generated.

:LIST:MODE

Supported All Models

```
[ :SOURce ] :LIST:MODE AUTO | MANuaL
```

```
[ :SOURce ] :LIST:MODE?
```

This command sets the operating mode for the current list or step sweep.

AUTO This choice enables the selected sweep type to perform a sweep of all points.

MANuaL This choice enables you to select a single sweep point. The selected point controls the frequency and/or amplitude according to the sweep type. Refer to [“:LIST:MANuaL” on page 52](#) for selecting a sweep point.

***RST** AUTO

Key Entry Manual Mode Off On

:LIST:POWer

Supported All Models

```
[ :SOURce ] :LIST:POWer <val> { , <val> }
```

```
[ :SOURce ] :LIST:POWer?
```

This command sets the amplitude for the current list sweep points.

Range Refer to [“\[:LEVel\]\[:IMMediate\]\[:AMPLitude\]” on page 69](#) for output power ranges.

Remarks The setting enabled by this command is not affected by signal generator power-on, preset, or *RST.

During an amplitude sweep operation, signal generators with Option UNB or Option 506 protect the step attenuator by automatically switching to attenuator hold (OFF) mode. The attenuator is locked at its current setting and the amplitude sweep range is limited to 40 dB.

The maximum number of list sweep points is 1,601.

:LIST:POWer:POINts

Supported All Models

```
[ :SOURce ] :LIST:POWer:POINts?
```

This command queries the number of power points in the current list sweep file.

:LIST:RETRace**Supported** All Models

[:SOURce]:LIST:RETRace ON|OFF|1|0

[:SOURce]:LIST:RETRace?

This command resets the single sweep to the first sweep point, or leaves it at the last sweep point upon completion of the sweep operation.

On (1) The sweep resets to the first sweep point.

Off (0) The sweep stays at the last sweep point.

RST** 1**Key Entry** Sweep Retrace Off On**:LIST:TRIGger:SOURce*Supported** All Models

[:SOURce]:LIST:TRIGger:SOURce BUS|IMMEDIATE|EXTERNAL|KEY

[:SOURce]:LIST:TRIGger:SOURce?

This command sets the trigger source for a list or step sweep event.

To set the sweep trigger, see [“:TRIGger\[:SEQUENCE\]:SOURce” on page 168](#).

BUS This choice enables GPIB triggering using the *TRG or GET command, or LAN and RS-232 triggering using the *TRG command.

IMMEDIATE This choice enables immediate triggering of the sweep event.

EXTERNAL This choice enables the triggering of a sweep event by an externally applied signal at the TRIGGER IN connector.

KEY This choice enables triggering by pressing the front-panel **Trigger** hardkey.

Example

:LIST:TRIG:SOUR BUS

The preceding example sets the trigger source to the instrument BUS.

***RST** IMM**Key Entry** Bus Free Run Ext Trigger Key

:LIST:TYPE

Supported All Models

[:SOURce] :LIST:TYPE LIST | STEP

[:SOURce] :LIST:TYPE?

This command toggles between the two types of sweep.

LIST This type of sweep has arbitrary frequencies and amplitudes.

STEP This type of sweep has equally spaced frequencies and amplitudes.

***RST** STEP

Key Entry Sweep Type List Step

:LIST:TYPE:LIST:INITialize:FSTep

Supported All Models

CAUTION The current list sweep data will be overwritten once this command is executed. If needed, save the current data. Refer to “:STORE:LIST” on page 123 for storing list sweep files.

[:SOURce] :LIST:TYPE:LIST:INITialize:FSTep

This command replaces the loaded list sweep data with the settings from the current step sweep data points.

Key Entry Load List From Step Sweep

Remarks You can have only one sweep list at a time.

The maximum number of list sweep points is 1,601. When copying the step sweep settings over to a list sweep, ensure that the number of points in the step sweep do not exceed the maximum list sweep points.

:LIST:TYPE:LIST:INITialize:PRESet**Supported** All Models

CAUTION The current list sweep data will be overwritten once this command is executed. If needed, save the current data. Refer to “:STORE:LIST” on page 123 for storing list sweep files.

[:SOURce]:LIST:TYPE:LIST:INITialize:PRESet

This command replaces the current list sweep data with a factory-defined file consisting of one point at a frequency, amplitude, and dwell time.

Key Entry Preset List**:SWEep:DWELl****Supported** All Models

[:SOURce]:SWEep:DWELl <val>

[:SOURce]:SWEep:DWELl?

This command enables you to set the dwell time for a step sweep.

The variable <val> is expressed in units of seconds with a 0.001 resolution.

NOTE The dwell time (<val>) does not begin until the signal generator has settled for the current frequency and/or amplitude change.

***RST** +2.00000000E-003**Range** 0.001-60**Key Entry** Step Dwell**Remarks** Dwell time is used when the trigger source is set to IMMEDIATE. Refer to “:LIST:TRIGger:SOURce” on page 54 for the trigger setting.

The dwell time is the amount of time the sweep is guaranteed to pause after setting the frequency and/or power for the current point.

:SWEep:POINTs

Supported All Models

[:SOURce] :SWEep:POINTs <val>

[:SOURce] :SWEep:POINTs?

This command defines the number of step sweep points.

***RST** 2

Range 2–65535

Key Entry # Points

Power Subsystem ([:SOURce]:POWer)

:ALC:BANDwidth | BWIDth

Supported All Models

```
[ :SOURce ] :POWer :ALC :BANDwidth | BWIDth 100HZ | 1KHZ | 10KHZ
[ :SOURce ] :POWer :ALC :BANDwidth | BWIDth ?
```

This command sets the bandwidth of the automatic leveling control (ALC) loop. This is one of two commands that replace the `:DM:EXTernal:ALC:BANDwidth | BWIDth NORMal | NARRow` command. The `NARRow` parameter in the old command corresponds to the `100HZ` selection. The `NORMal` parameter in the old command corresponds to the `ON` parameter in the command [“:ALC:BANDwidth” on page 59](#).

100HZ	This choice selects a 100 Hz ALC bandwidth. This bandwidth has the longest settling time, but the least signal degradation and lowest error vector magnitude for digital signals. This is the auto selection for digital modulation.
1KHZ	This choice selects a 1 kHz ALC bandwidth. This bandwidth is the auto selection for pulse modulation and AM modulation to a carrier frequency of 500 kHz.
10KHZ	This choice selects a 10 kHz ALC bandwidth. This bandwidth has the fastest settling time, but the most signal degradation and highest error vector magnitude for digital signals. This is the auto selection for AM modulation above a 500 kHz carrier frequency and with FM/ΦM modulation.

Example

```
:POW:ALC:BWID 1KHZ
```

The preceding example sets the ALC bandwidth to 1 kHz.

```
*RST 10000
```

Key Entry 100 Hz 1kHz 10 kHz

Remarks Use this command when the ALC is set to on. Refer to [“:ALC\[:STATe\]” on page 62](#) for selecting the ALC on or off state. Refer to the *E4428C/38C ESG Signal Generators User’s Guide* for information on ALC bandwidth.

:ALC:BANDwidth

Supported All Models

```
[ :SOURce ] :POWER:ALC:BANDwidth | BWIDth: AUTO ON | OFF | 1 | 0
[ :SOURce ] :POWER:ALC:BANDwidth | BWIDth: AUTO?
```

This command turns the bandwidth (BW) auto state on or off.

The bandwidth auto function allows the signal generator to automatically select a bandwidth for the automatic leveling control (ALC) circuit. This is one of two commands that replace the :DM:EXTernal:ALC:BANDwidth | BWIDth NORMal | NARROW command. The ON (1) selection in this command corresponds to the NORMal parameter in the old command. The NARROW parameter in the old command corresponds to the 100HZ parameter used with the command “:ALC:BANDwidth|BWIDth” on page 58.

ON (1) This choice allows the signal generator to automatically select an ALC BW. The selection of the ALC BW depends on the signal generator modulation type as shown in the following table.

Modulation Type	Auto ALC Bandwidth Selection
Digital Modulation	100 Hz
Pulse Modulation	1 kHz
AM Modulation	10 kHz ¹ or 1 kHz
FM/ΦM Modulation	10 kHz

1. 10 kHz ALC bandwidth for carrier frequencies above 500 kHz

OFF (0) This choice disables automatic selection of the ALC BW, allowing you to select one of three ALC BWs: 100 Hz, 1 kHz, or 10 kHz. To select the desired ALC bandwidth, use the “:ALC:BANDwidth|BWIDth” command shown on page 58.

***RST** 1

Key Entry Auto

Remarks For more information on ALC bandwidth, refer to the *E4428C/38C ESG Signal Generators User’s Guide*.

:ALC:LEVel**Supported** All Models

```
[ :SOURce ] :POWer:ALC:LEVel <value>dB
[ :SOURce ] :POWer:ALC:LEVel?
```

This command sets the automatic leveling control (ALC) level. Use this command after setting the attenuation auto mode to On. Refer to “:ATTenuation:AUTO” on page 65 for setting the attenuation auto mode.

The ALC is used to maintain the signal generator’s output power level by compensating for power fluctuations due to drift, band changes, or load variations. After you set the ALC level, the signal generator’s output power is monitored and corrected so that the power level setting is maintained.

Example

```
:POW:ALC:LEV 10DB
```

The preceding example sets the ALC to 10 dB.

```
*RST +1.00000000E+000
```

Range -20 to 20

Key Entry Set ALC Level

:ALC:SEARCh**Supported** All Models

```
[ :SOURce ] :POWer:ALC:SEARCh ON|OFF|1|0|ONCE
[ :SOURce ] :POWer:ALC:SEARCh?
```

This command sets the internal power search mode. A power search is recommended for pulse-modulated signals with pulse widths less than one microsecond.

ON (1) This choice executes the power search automatically with each change in RF frequency or power.

OFF (0) This choice disables the automatic power search routine.

ONCE This choice executes a single power search of the current RF output signal.

```
*RST 0
```

Key Entry Power Search Manual Auto Do Power Search

Remarks Use this command when the ALC state is set to OFF (0). Refer to “:ALC[:STATe]” on page 62 for setting the ALC state.

If ON was previously selected, executing ONCE will cause OFF to be the current

selection after the power search is completed.

:ALC:SEARCh:REFerence

Supported All Models

```
[ :SOURce ] :POWer :ALC :SEARCh :REFerence FIXed |MODulated  
[ :SOURce ] :POWer :ALC :SEARCh :REFerence?
```

This command sets either fixed or modulated modes of power search.

FIXed This choice uses a 0.5 volt reference.

MODulated This choice uses the RMS value of the current I/Q modulation.

***RST** MOD

Key Entry Power Search Reference Fixed Mod

:ALC:SEARCh:SPAN:START

Supported All Models

```
[ :SOURce ] :POWer :ALC :SEARCh :SPAN :START  
[ :SOURce ] :POWer :ALC :SEARCh :SPAN :START?
```

This command sets the start frequency for a span power search over a user specified range.

Key Entry Start Frequency

Remarks The start frequency has no default value. The start frequency value will be the last value set before powering off the instrument.

:ALC:SEARCh:SPAN:STOP:SPAN:STOP

Supported All Models

```
[ :SOURce ] :POWer :ALC :SEARCh :SPAN :STOP  
[ :SOURce ] :POWer :ALC :SEARCh :SPAN :STOP?
```

This command sets the stop frequency for a span power search over a user specified range.

Key Entry Stop Frequency

Remarks The stop frequency has no default value. The stop frequency value will be the last value set before powering off the instrument.

:ALC:SEARCh:SPAN:TYPE

Supported All Models

```
[ :SOURce ] :POWer :ALC :SEARCh :SPAN :TYPE FULL | USER  
[ :SOURce ] :POWer :ALC :SEARCh :SPAN :TYPE ?
```

This command enables you to select the frequency range for a span power search. You can specify the range (USER) or you can select the full range (FULL) of the signal generator.

Key Entry Span Type User Full

:ALC:SEARCh:SPAN[:STATe]

Supported All Models

```
[ :SOURce ] :POWer :ALC :SEARCh :SPAN [ :STATe ] ON | OFF | 1 | 0  
[ :SOURce ] :POWer :ALC :SEARCh :SPAN [ :STATe ] ?
```

This command enables (1) or disables (0) the span mode, allowing you to perform power searches over a selected range of frequencies. The power search corrections are then stored and used whenever the signal generator is tuned within the selected range.

:ALC[:STATe]

Supported All Models

```
[ :SOURce ] :POWer :ALC [ :STATe ] ON | OFF | 1 | 0  
[ :SOURce ] :POWer :ALC [ :STATe ] ?
```

This command enables or disables the automatic leveling control (ALC) circuit.

***RST** 1

Key Entry ALC Off On

Remarks The purpose of the ALC circuit is to hold output power at a desired level by adjusting the signal generator's power circuits to compensate for power drift. Power drift occurs over time and changes in temperature. Refer to the *E4428C/38C ESG Signal Generators User's Guide* for more information on the ALC.

:ALternate:AMPLitude

Supported All Models except signal generators with Option UNB or 506.

```
[ :SOURce ] :POWER:ALternate:AMPLitude <val>
```

```
[ :SOURce ] :POWER:ALternate:AMPLitude?
```

This command sets the delta value for the alternate amplitude.

The variable <val> is expressed in units of decibels (dB).

***RST** +0.00000000E+000

Range -156 to 156

Key Entry Alt Amp Delta

Remarks The actual RF output amplitude is equal to the Alternate Amplitude Delta value plus the RF output amplitude; this sum cannot exceed the minimum and maximum amplitude limits of the signal generator. For example, if the Alternate Amplitude Delta is set to -156 dB and the RF output amplitude is set to 20 dB, the sum is equal to -136 dB.

:ALternate:MANual

Supported All Models

```
[ :SOURce ] :POWER:ALternate:MANual MAIN|DELTA
```

```
[ :SOURce ] :POWER:ALternate:MANual?
```

This command toggles the alternate amplitude manual trigger source between main and alternate (delta).

MAIN The main power is present at the RF output.

DELTA The alternate power is present at the RF output.

***RST** MAIN

Key Entry Manual Trigger Main Delta

Remarks This command is effective only if MANual is the selection for the trigger source. Refer to “:ALternate:TRIGger[:SOURce]” on page 64 for more information.

:ALternate:STATe

Supported All Models

```
[ :SOURce ] :POWer :ALternate :STATe ON | OFF | 1 | 0
[ :SOURce ] :POWer :ALternate :STATe ?
```

This command enables or disables the alternate amplitude.

***RST** 0

Key Entry Alt Ampl Off On

:ALternate:TRIGger[:SOURce]

Supported All Models except with Option UNB or 506

```
[ :SOURce ] :POWer :ALternate :TRIGger [ :SOURce ] INTernal | EXTernal | MANual
[ :SOURce ] :POWer :ALternate :TRIGger [ :SOURce ] ?
```

This command sets the trigger source for the alternate amplitude signal.

INTernal This choice is available only for an E4438C with Option 001/601 or 002/602. The baseband generator triggers each timeslot to output a power level set with either the user-selected main or alternate amplitude parameter.

Each timeslot is allowed to output power with a user-selected main or alternate amplitude. This choice requires the Option 001/601 or 002/602 baseband generator option.

This choice requires a baseband generator option. Each timeslot is allowed to output power with a user-selected main or alternate amplitude.

EXTernal This choice requires an external trigger to the TRIG IN rear panel connector to toggle the RF output power between main and alternate amplitudes.

MANual This choice enables the RF output power to be toggled between main and alternate amplitudes using the front-panel **Trigger** hardkey.

***RST** MAN

Key Entry Int Ext Manual

:ATTenuation

Supported All Models

```
[ :SOURce ]:POWER:ATTenuation <val><unit>
[ :SOURce ]:POWER:ATTenuation?
```

This command sets the signal generator’s attenuator level. Before setting the attenuator level, set the “:ATTenuation:AUTO” function to Off which will disable ALC control.

In normal operation the attenuator level is selected by the signal generator’s automatic loop control (ALC) which maintains the output power by adjusting internal circuits to compensate for any power fluctuations due to drift, band changes, or load variations. In some applications, such as fast pulse modulation, the ALC may not respond quickly enough to compensate for the pulse rise times. In this case you can set the attenuator and override any ALC adjustments.

The output power is the ALC level minus the attenuator setting. The attenuator is set in increments of 5 dB.

Example

```
:POW:ATT 10DB
```

The preceding example sets the attenuator to 10 dB.

***RST** +115

Range 0 to 115 dB

Key Entry Set Atten

:ATTenuation:AUTO

Supported All Models

```
[ :SOURce ]:POWER:ATTenuation:AUTO ON|OFF|1|0
[ :SOURce ]:POWER:ATTenuation:AUTO?
```

This command sets the state of the attenuator auto mode function.

ON (1) This selection allows the signal generator’s automatic loop control (ALC) to adjust the attenuator so that a specified RF power level, at the ESG’s RF output connector, is maintained.

OFF (0) This choice allows for a user-selected attenuator setting that is not affected by the signal generator’s ALC circuitry.

The OFF (0) selection can be used to eliminate power discontinuity normally associated with attenuator switching during power adjustments.

***RST** 1

Power Subsystem ([:SOURce]:POWer)

Key Entry	Atten Hold Off On
Remarks	During an amplitude sweep operation, signal generators with Option UNB or 506 protect the step attenuator from fast amplitude changes by automatically switching to attenuator auto Off mode. The attenuator is locked at its current setting and the amplitude sweep range is limited to 40 dB. Refer to the “:ALC:LEVel” on page 60 for more information.

:MODE

Supported All Models

```
[ :SOURce ] :POWer :MODE FIXed | LIST
[ :SOURce ] :POWer :MODE?
```

This command sets the signal generator power mode to fixed or swept.

FIXed	This choice stops a power sweep, allowing the signal generator to operate at a fixed power level. Refer to “[:LEVel][:IMMediate][:AMPLitude]” on page 69 for setting the output power level.
LIST	This choice selects the swept power mode. If sweep triggering is set to immediate along with continuous sweep mode, executing the command starts the LIST or STEP power sweep.

NOTE To perform a frequency and amplitude sweep, you must also select LIST as the frequency mode. See “:FREQuency:MODE” on page 42 for selecting the list mode for a frequency sweep.

***RST** FIX

Key Entry Amplitude Ampl Off

:REFERENCE

Supported All Models

```
[ :SOURce ] :POWer :REFErence <val><unit>
[ :SOURce ] :POWer :REFErence?
```

This command sets the power level for the signal generator RF output reference.

***RST** +0.00000000E+000

Range -400 to 300DBM

Key Entry Ampl Ref Set

Remarks The RF output power is referenced to the value entered in this command.

:REFEreNce:STATe

Supported All Models

```
[ :SOURce ] :POWer :REFEreNce :STATe ON | OFF | 1 | 0  
[ :SOURce ] :POWer :REFEreNce :STATe ?
```

This command enables or disables the RF output reference.

ON(1) This choice will set the power reference state to ON. The unit displayed for commands, “:ANNOtation:AMPLitude:UNIT” on page 85 and “:POWer” on page 170 will be expressed in DB.

OFF(0) This choice will set the power reference state to OFF.

***RST** 0

Key Entry **Ampl Ref Off On**

Remarks Once the reference state is ON, all subsequent output power settings are set relative to the reference value.

Amplitude offsets can be used with the amplitude reference mode.

:START

Supported All Models

```
[ :SOURce ] :POWer :START <val><unit>  
[ :SOURce ] :POWer :START ?
```

This command sets the first amplitude point in a step sweep.

***RST** -1.35000000E+002

Range Refer to “[:LEVel][:IMMediate][:AMPLitude]” on page 69 for the output power ranges.

Key Entry **Ampl Start**

Remarks During an amplitude sweep operation, signal generators with Option UNB or 506 protect the step attenuator by automatically switching to attenuator hold (ON) mode. The attenuator is locked at its current setting and the amplitude sweep range is limited to 40 dB.

:STOP**Supported** All Models

[:SOURce]:POWer:STOP <val><unit>

[:SOURce]:POWer:STOP?

This command sets the last amplitude point in a step sweep.

RST** -1.35000000E+002**Range** Refer to “[:LEVel][:IMMediate][:AMPLitude]” on page 69 for the output power ranges.**Key Entry** **Ampl Stop*Remarks** During an amplitude sweep operation, signal generators with Option UNB or 506 protect the step attenuator by automatically switching to attenuator hold (ON) mode. The attenuator is locked at its current setting and the amplitude sweep range is limited to 40 dB.**[:LEVel][:IMMediate]:OFFSet****Supported** All Models

[:SOURce]:POWer[:LEVel][:IMMediate]:OFFSet <val><unit>

[:SOURce]:POWer[:LEVel][:IMMediate]:OFFSet?

This command sets the power offset value.

RST** +0.00000000E+000**Range** -200DB to 200DB**Key Entry** **Ampl Offset*Remarks** This simulates a power level at a test point beyond the RF OUTPUT connector without changing the actual RF output power. The offset value only affects the displayed amplitude setting.

You can enter an amplitude offset any time in either normal operation or amplitude reference mode.

[:LEVel][:IMMediate][:AMPLitude]

Supported All Models

```
[:SOURCE]:POWER[:LEVel][:IMMediate][:AMPLitude] <val><unit>
[:SOURCE]:POWER[:LEVel][:IMMediate][:AMPLitude]?
```

This command sets the RF output power.

***RST** -1.35000000E+002

Range	<i>Frequency</i>	<i>Standard</i>	<i>Option UNB</i>	<i>Option 506</i>
	250KHZ–250MHZ	-136 to 11DBM	-136 to 15DBM	-136 to 12DBM
	>250MHZ–1GHZ	-136 to 13DBM	-136 to 17DBM	-136 to 14DBM
	> 1–3GHZ	-136 to 10DBM	-136 to 16DBM	-136 to 13DBM
	> 3–4GHZ	-136 to 7DBM	-136 to 13DBM	-136 to 10DBM
	> 4–6GHZ	N/A	N/A	-136 to 10DBM

Key Entry Amplitude

Remarks The ranges for this command are specified values from the data sheet.

[:LEVel][:IMMediate][:AMPLitude]:STEP

Supported All Models

```
[:SOURCE]:POWER[:LEVel][:IMMediate][:AMPLitude]:STEP[:INCRement]
<val><unit>|UP|DOWN
[:SOURCE]:POWER[:LEVel][:IMMediate][:AMPLitude]:STEP[:INCRement]?
```

This command sets the incremental step value for the amplitude parameter, or increments or decrements the current RF output power level by the specified <val> value.

<val> The increment power value.

UP Increases the current output power by the amount set with <val>. The front-panel up arrow key performs the same function.

DOWN Decreases the current output power by the amount set with <val>. The front-panel down arrow key performs the same function.

Range .02–100dB

Key Entry Incr Set

Remarks The value set with this command is not affected by *RST or a power cycle.

Basic Function Commands

Power Subsystem ([:SOURce]:POWer)

3 System Commands

This chapter provides SCPI descriptions for subsystems dedicated to peripheral signal generator operations common to all ESG models. This chapter contains the following major sections:

- “Calibration Subsystem (:CALibration)” on page 72
- “Communication Subsystem (:SYSTem:COMMunicate)” on page 75
- “Diagnostic Subsystem (:DIAGnostic[:CPU]:INFORMation)” on page 81
- “Display Subsystem (:DISPlay)” on page 85
- “IEEE 488.2 Common Commands” on page 88
- “Memory Subsystem (:MEMory)” on page 94
- “Mass Memory Subsystem (:MMEMory)” on page 124
- “Output Subsystem (:OUTPut)” on page 128
- “Route Subsystem (:ROUte:HARDware:DGENerator)” on page 130
- “Status Subsystem (:STATus)” on page 136
- “System Subsystem (:SYSTem)” on page 154
- “Trigger Subsystem” on page 166
- “Unit Subsystem (:UNIT)” on page 170

Calibration Subsystem (:CALibration)

:DCFM

Supported All

:CALibration:DCFM

This command initiates a DCFM or DC Φ M calibration depending on the currently active modulation. This calibration eliminates any dc or modulation offset of the carrier signal.

NOTE If the calibration is performed with a dc signal applied, any deviation provided by the dc signal will be removed and the new zero reference point will be at the applied dc level. The calibration will have to be performed again when the dc signal is disconnected to reset the carrier signal to the correct zero reference.

Key Entry DCFM/DCFM Cal

Remarks Use this calibration for externally applied signals. While the calibration can also be performed for internally generated signals, dc offset is not a normal characteristic for them.

:IQ

Supported E4438C

:CALibration:IQ

This command initiates an I/Q calibration.

Key Entry Execute Cal

:IQ:DC

Supported E4438C

:CALibration:IQ:DC

This command performs a one to two second adjustment that is not traceable to a standard. However, it will minimize errors associated with offset voltages. This adjustment minimizes errors for the current signal generator setting and at a single frequency. The DC adjustment is volatile and must be repeated with each signal generator setting change. This command can be sent while the RF On/Off is set to Off and the adjustment will still be valid when the RF is enabled.

The I/Q DC adjustment is dependent upon a number of instrument settings. If any of the instrument settings change, the adjustment will become invalid. The dependent instrument settings are:

- RF frequency
- I/Q attenuation level
- Baseband generator settings
- I/Q polarity settings
- Baseband filter settings
- Path settings (Internal I/Q Mux Path 1 or Path 2)
- I/Q calibration (the I/Q DC calibration will be invalidated if any other I/Q calibration is executed or if the **Revert to Factory Default** key is pressed)
- Temperature (± 5 degrees)

The following instrument states will not invalidate the I/Q DC calibration:

- Power level changes
- I/Q Impairments

Key Entry **Execute Cal** (with **Calibration Type User Full** set to DC)

:IQ:DEfault

Supported E4438C

:CALibration:IQ:DEfault

This command will restore the original factory calibration data for the internal I/Q modulator.

Key Entry **Revert to Default Cal Settings**

:IQ:FULL

Supported E4438C

:CALibration:IQ:FULL

This command performs an adjustment to the I/Q offset, gain and quadrature for the full-frequency range (regardless of the start and stop frequency settings) and stores the results in the signal generator's firmware.

Key Entry **Execute Cal** (with **Calibration Type User Full** set to Full)

Remarks Start and stop frequencies will default to the full frequency range of the signal generator.

:IQ:START

Supported E4438C

:CALibration:IQ:START <val><unit>

:CALibration:IQ:START?

This command sets the start frequency and automatically sets the calibration type to User for an I/Q calibration.

Range Option 501: 100kHz–1GHz
Option 502: 100kHz–2GHz
Option 503: 100kHz–3GHz
Option 504: 100kHz–4GHz
Option 506: 100kHz–6GHz

Key Entry Start Frequency

Remarks The setting enabled by this command is not affected by signal generator power-on, preset, or *RST.

:IQ:STOP

Supported E4438C

:CALibration:IQ:STOP <val><unit>

:CALibration:IQ:STOP?

This command sets the stop frequency and automatically sets the calibration type to User for an I/Q calibration.

Range Option 501: 100kHz–1GHz
Option 502: 100kHz–2GHz
Option 503: 100kHz–3GHz
Option 504: 100kHz–4GHz
Option 506: 100kHz–6GHz

Key Entry Stop Frequency

Remarks The setting enabled by this command is not affected by signal generator power-on, preset, or *RST.

Communication Subsystem (:SYSTem:COMMunicate)

:GPIB:ADDRes

Supported All

```
:SYSTem:COMMunicate:GPIB:ADDRes <number>
```

```
:SYSTem:COMMunicate:GPIB:ADDRes?
```

This command sets the signal generator's GPIB address.

Range 0–30

Key Entry GPIB Address

Remarks The setting enabled by this command is not affected by signal generator power-on, preset, or *RST.

:GTLocal

Supported All

```
:SYSTem:COMMunicate:GTLocal
```

This command sets the signal generator to local mode which enables front panel operation.

Key Entry Local

:LAN:CONFig

Supported All Models

```
:SYSTem:COMMunicate:LAN:CONFig DHCP|MANual
```

```
:SYSTem:COMMunicate:LAN:CONFig?
```

This command sets the signal generator's internet protocol (IP) address.

MANual The user assigns an IP address to the signal generator.

DHCP The network assigns an IP address to the signal generator.

Example

```
:SYST:COMM:LAN:CONF DHCP
```

The preceding example sets up the signal generator LAN configuration to use a DHCP IP address.

Key Entry LAN Config

:LAN:GATEway

Supported All

```
:SYSTEM:COMMunicate:LAN:GATEway "<ipstring>"
```

```
:SYSTEM:COMMunicate:LAN:GATEway?
```

This command sets the gateway for local area network (LAN) access to the signal generator from outside the current sub-network.

Key Entry Default Gateway

Remarks Using an empty string restricts access to the signal generator to local hosts on the LAN.

:LAN:HOSTname

Supported All

```
:SYSTEM:COMMunicate:LAN:HOSTname "<string>"
```

```
:SYSTEM:COMMunicate:LAN:HOSTname?
```

This command sets the signal generator's local area network (LAN) connection hostname.

Key Entry Hostname

Remarks The setting enabled by this command is not affected by signal generator power-on, preset, or *RST.

:LAN:IP

Supported All

```
:SYSTEM:COMMunicate:LAN:IP "<ipstring>"
```

```
:SYSTEM:COMMunicate:LAN:IP?
```

This command sets the signal generator's local area network (LAN) internet protocol (IP) address for your IP network connection.

Key Entry IP Address

Remarks The setting enabled by this command is not affected by signal generator power-on, preset, or *RST.

:LAN:SUBNet

Supported All

```
:SYSTem:COMMunicate:LAN:SUBNet "<ipstring>"
```

```
:SYSTem:COMMunicate:LAN:SUBNet?
```

This command sets the signal generator's local area network (LAN) subnet mask address for your internet protocol (IP) network connection.

Key Entry Subnet Mask

Remarks The setting enabled by this command is not affected by signal generator power-on, preset, or *RST.

:PMETer:ADDRess

Supported All

```
:SYSTem:COMMunicate:PMETer:ADDRess <val>
```

```
:SYSTem:COMMunicate:PMETer:ADDRess?
```

This command sets the address for a power meter that is controlled by the signal generator.

Range 0–30

Key Entry Meter Address

Remarks The setting enabled by this command is not affected by signal generator power-on, preset, or *RST.

The power meter is controlled only through a GPIB cable.

Ensure that the power meter address is different from the signal generator address.

:PMETer:CHANnel

Supported All

```
:SYSTem:COMMunicate:PMETer:CHANnel A|B
```

```
:SYSTem:COMMunicate:PMETer:CHANnel?
```

This command sets the measurement channel on the power meter that is controlled by the signal generator.

Key Entry Meter Channel A B

Remarks A single-channel power meter uses channel A and selecting channel B will have no effect.

Communication Subsystem (:SYSTEM:COMMunicate)

The setting enabled by this command is not affected by signal generator power-on, preset, or *RST.

The power meter is controlled only through a GPIB cable.

:PMETer:IDN

Supported All

:SYSTEM:COMMunicate:PMETer:IDN E4418B|E4419B|E4416A|E4417A

:SYSTEM:COMMunicate:PMETer:IDN?

This command sets the model number of the power meter that is controlled by the signal generator.

Key Entry Power Meter

Remarks The setting enabled by this command is not affected by signal generator power-on, preset, or *RST.

The power meter is controlled only through a GPIB cable.

:PMETer:TIMEout

Supported All

:SYSTEM:COMMunicate:PMETer:TIMEout <num>[<time suffix>]

:SYSTEM:COMMunicate:PMETer:TIMEout?

This command sets the period of time which the signal generator will wait for a valid reading from the power meter.

The variable <num> has a resolution of 0.001.

Range 1mS–100S

Key Entry Meter Timeout

Remarks The setting enabled by this command is not affected by signal generator power-on, preset, or *RST.

The power meter is controlled only through a GPIB cable.

If a time-out occurs, the signal generator reports an error message.

:SERial:BAUD

Supported All

```
:SYSTem:COMMunicate:SERial:BAUD <number>
```

```
:SYSTem:COMMunicate:SERial:BAUD?
```

This command sets the baud rate for the rear panel RS-232 interface labeled RS-232.

Key Entry RS-232 Baud Rate

Remarks The setting enabled by this command is not affected by signal generator power-on, preset, or *RST.

:SERial:ECHO

Supported All

```
:SYSTem:COMMunicate:SERial:ECHO ON|OFF
```

```
:SYSTem:COMMunicate:SERial:ECHO?
```

This command enables or disables the RS-232 echo.

Key Entry RS-232 ECHO Off On

Remarks The setting enabled by this command is not affected by signal generator power-on, preset, or *RST.

:SERial:RESet

Supported All

```
:SYSTem:COMMunicate:SERial:RESet
```

This event command resets the RS-232 buffer and will discard any unprocessed SCPI input received by the RS-232 port.

Key Entry Reset RS-232

:SERial:TOUT

Supported All

:SYSTem:COMMunicate:SERial:TOUT <val>

:SYSTem:COMMunicate:SERial:TOUT?

This command sets the RS-232 serial port time-out value.

If further input is not received within the time-out period specified, while a SCPI command is being processed, the command is aborted and the input buffer is cleared.

The variable <val> is entered in units of seconds.

Range 1–25

Key Entry RS-232 Timeout

Remarks The setting enabled by this command is not affected by signal generator power-on, preset, or *RST.

Diagnostic Subsystem (:DIAGnostic[:CPU]:INFORMATION)

:BOARDs

Supported All

:DIAGnostic[:CPU]:INFORMATION:BOARDs?

This query returns a list of the installed boards in the signal generator. The information will be returned in the following format:

"<board name,part number,serial number,version number,status>"

This information format will repeat with as many iterations as the number of detected boards in the signal generator.

Key Entry **Installed Board Info**

:CCOUNT:ATTenuator

Supported All

:DIAGnostic[:CPU]:INFORMATION:CCOUNT:ATTenuator?

This query returns the cumulative number of times that the attenuator has been switched.

Key Entry **Diagnostic Info**

:CCOUNT:PON

Supported All

:DIAGnostic[:CPU]:INFORMATION:CCOUNT:PON?

This query returns the cumulative number of times the signal generator has been powered-on.

Key Entry **Diagnostic Info**

:CCOUNT:PROTECTION

Supported All

:DIAGnostic[:CPU]:INFORMATION:CCOUNT:PROTECTION?

This query returns the cumulative number of times the reverse power protection has been cycled.

Key Entry **Diagnostic Info**

:DISPlay:OTIME

Supported All Models

:DIAGnostic[:CPU]:INFORMATION:DISPlay:OTIME?

This query returns the cumulative number of hours the display has been on.

Key Entry Diagnostic Info

:LICense:AUXiliary

Supported E4438C with Option 001/600 or 002.602

:DIAGnostic[:CPU]:INFORMATION:LICense:AUXiliary?

This query returns a list of licenses for software applications associated with the signal generator that have the software license file installed on the PC, as opposed to a license key installed on the signal generator. However this query does not return demo licenses for Arb-based applications.

Key Entry Auxiliary Software Options

Remarks If you use the signal generator with a PC that has a copy of a software application for which a license shows with this query, the software automatically accesses and installs the license on the PC.

To access Arb-based demo software licenses, see “:LICense:WAVEform” . To view option numbers for software applications that use license keys, see “:OPTions” on page 83.

:LICense:WAVEform

Supported E4438C with Option 001/600 or 002/602

:DIAGnostic[:CPU]:INFORMATION:LICense:WAVEform?

This query returns a list of Arb-based licenses (including demo) for software applications associated with the signal generator that have the software license file installed on the PC, as opposed to a license key installed on the signal generator. These waveform licenses are created by the software application in a license file on the PC. Refer to “:WLICence[:VALue]” on page 84 for more information.

The response format is a series of comma-separated entries enclosed in quotation marks. The first field is the waveform type number and the second is a text description of the license.

Key Entry Waveform Licenses

Remarks If a license appears in this list, this means that you can transfer waveform files, created with the associated Arb-based software application to another signal generator if the other signal generator has the same license. For more information,

refer to the command, “:LICense:AUXiliary” on page 82.

For a list of option numbers for software applications that use license keys, see “:OPTions”.

:OPTions

Supported All Models

:DIAGnostic[:CPU]:INFORMATION:OPTions?

This query returns a list of internally installed signal generator options.

Key Entry Options Info

:OPTions:DETail

Supported All Models

:DIAGnostic[:CPU]:INFORMATION:OPTions:DETail?

This query returns the options that are installed along with the option revision and DSP version if applicable.

Key Entry Options Info

:OTIME

Supported All Models

:DIAGnostic[:CPU]:INFORMATION:OTIME?

This query returns the cumulative number of hours that the signal generator has been on.

Key Entry Diagnostic Info

:REvision

Supported All Models

:DIAGnostic[:CPU]:INFORMATION:REvision?

This query returns the CPU bootstrap read only memory (boot ROM) revision date. In addition, the query returns the revision, creation date, and creation time of the main firmware.

Key Entry Diagnostic Info

:SDATe

Supported All Models

:DIAGnostic[:CPU]:INFORMATION:SDATe?

This query returns the date and time of the main firmware.

Key Entry **Diagnostic Info**

:WLICence[:VALue]

Supported E4438C with Option 001/601 or 002/602

:DIAGnostic[:CPU]:INFORMATION:WLICence[:VALue]? <type_num>

This query returns the number of seconds remaining on the waveform license for the type of waveform designated by the <type_num> variable number. The type variable number is obtained using the “:LICence:WAVEform” command shown on [page 82](#). Zero is returned for non-existent and expired licenses. The value 2³² -1 (4,294,967,295) is returned for licenses that do not expire. Refer to the *E4428C/38C ESG Signal Generators Key and Data Field Reference* for information on the waveform licence.

Display Subsystem (:DISPlay)

:ANNotation:AMPLitude:UNIT

Supported All Models

```
:DISPlay:ANNotation:AMPLitude:UNIT DBM|DBUV|DBUVEFMF|V|VEMF|DB  
:DISPlay:ANNotation:AMPLitude:UNIT?
```

This command sets the displayed front panel amplitude units.

If the amplitude reference state is set to on, the query returns units expressed in DB. Setting any other unit will cause a setting conflict error stating that the amplitude reference state must be set to off. Refer to, “[:REFerence:STATE](#)” on page 67 for more information.

***RST** DBM

:ANNotation:CLOCK:DATE:FORMat

Supported All Models

```
:DISPlay:ANNotation:CLOCK:DATE:FORMat MDY|DMY  
:DISPlay:ANNotation:CLOCK:DATE:FORMat?
```

This command enables the selection of the date format. The choices are month-day-year (MDY) or day-month-year (DMY) format.

Remarks The setting enabled by this command is not affected by signal generator power-on, preset, or *RST.

:ANNotation:CLOCK[:STATe]

Supported All Models

```
:DISPlay:ANNotation:CLOCK[:STATe] ON|OFF|1|0  
:DISPlay:ANNotation:CLOCK[:STATe]?
```

This command enables or disables the digital clock view in the lower right side of the front panel display.

Remarks The setting enabled by this command is not affected by signal generator power-on, preset, or *RST.

:BRIGhtness

Supported All Models

```
:DISPlay:BRIGhtness <val>  
:DISPlay:BRIGhtness?
```

This command sets the display brightness (intensity). The brightness can be set to the minimum level (0.02), maximum level (1), or in between by using fractional numeric values (0.03–0.99).

Range 0.02–1

Key Entry **Brightness**

Remarks The setting enabled by this command is not affected by signal generator power-on, preset, or *RST.

:CAPTure

Supported All Models

```
:DISPlay:CAPTure
```

This event command enables the user to capture the current display and store it in the signal generator's memory.

Remarks The display capture is stored as DISPLAY.BMP in the Binary file system. This file is overwritten with each subsequent display capture. The file can be down-loaded in the following manner:

1. Log on to the signal generator using ftp.
2. Change (cd) to the BIN directory.
3. Retrieve the file by using the get command.

:CONTRast

Supported All Models

```
:DISPlay:CONTRast <val>  
:DISPlay:CONTRast?
```

This command sets the contrast of the LCD display. The contrast can be set to the maximum level (1), minimum level (0), or in between by using fractional numeric values (0.001–0.999).

Range 0–1

Key Entry Display contrast hardkeys are located below the display.

Remarks The setting enabled by this command is not affected by signal generator power-on, preset, or *RST.

:INVerse

Supported All Models

:DISPlay:INVerse ON|OFF|1|0

:DISPlay:INVerse?

This command sets the display of the source to inverse video mode.

Key Entry Inverse Video Off On

Remarks The setting enabled by this command is not affected by signal generator power-on, preset, or *RST.

:REMote

Supported All Models

:DISPlay:REMote ON|OFF|1|0

:DISPlay:REMote?

This command enables or disables the display updating when the signal generator is remotely controlled.

ON (1) This choice updates the signal generator display so you can see the settings as the commands are executed, however, this will degrade the signal generator speed.

OFF (0) This choice turns off the display updating while further optimizing the signal generator for speed.

Key Entry Update in Remote Off On

Remarks The setting enabled by this command is not affected by signal generator preset or *RST. However, cycling the signal generator power will reset it to zero.

[:WINDow][:STATe]

Supported All Models

:DISPlay[:WINDow][:STATe] ON|OFF|1|0

:DISPlay[:WINDow][:STATe]?

This command is used to either blank out (OFF or 0) the display screen or turn it on (ON or 1).

Remarks The setting enabled by this command is not affected by *RST. However, presetting the signal generator or cycling the power will turn the display on.

IEEE 488.2 Common Commands

*CLS

Supported All Models

*CLS

The Clear Status (CLS) command clears the Status Byte Register, the Data Questionable Event Register, the Standard Event Status Register, the Standard Operation Status Register and any other registers that are summarized in the status byte.

*ESE

Supported All Models

*ESE <data>

The Standard Event Status Enable (ESE) command sets the Standard Event Status Enable Register.

The variable <data> represents the sum of the bits that will be enabled.

Range 0–255

Remarks The setting enabled by this command is not affected by signal generator preset or *RST. However, cycling the signal generator power will reset this register to zero.

Refer to Chapter 3 of the *E4428C/38C ESG Signal Generators Programming Guide* for more information.

*ESE?

Supported All Models

*ESE?

The Standard Event Status Enable (ESE) query returns the value of the Standard Event Status Enable Register.

Remarks Refer to Chapter 3 of the *E4428C/38C ESG Signal Generators Programming Guide* for more information.

*ESR?

Supported All Models

CAUTION This is a destructive read. The data in the register is latched until it is queried. Once queried, the data is cleared.

*ESR?

The Standard Event Status Register (ESR) query returns the value of the Standard Event Status Register.

Remarks Refer to Chapter 3 of the *E4428C/38C ESG Signal Generators Programming Guide* for more information.

*IDN?

Supported All Models

*IDN?

The Identification (IDN) query outputs an identifying string. The response will show the following information:

<company name>, <model number>, <serial number>, <firmware revision>

Key Entry **Diagnostic Info**

Remarks The identification information can be modified. Refer to [“:IDN” on page 156](#) for more information.

*OPC

Supported All Models

*OPC

The Operation Complete (OPC) command sets bit 0 in the Standard Event Status Register when all pending operations have finished.

***OPC?**

Supported All Models

*OPC?

The Operation Complete (OPC) query returns the ASCII character 1 in the Standard Event Status Register when all pending operations have finished.

***OPT?**

Supported All Models

*OPT?

The options (OPT) query returns a comma-separated list of all of the instrument options currently installed on the signal generator.

Key Entry **Instrument Options**

***PSC**

Supported

*PSC ON|OFF|1|0

The Power-On Status Clear (PSC) command controls the automatic power-on clearing of the Service Request Enable Register, the Standard Event Status Enable Register, and device-specific event enable registers.

ON (1) This choice enables the power-on clearing of the listed registers.

OFF (0) This choice disables the clearing of the listed registers and they retain their status when a power-on condition occurs.

Remarks The setting enabled by this command is not affected by signal generator power-on, preset, or *RST.

***PSC?**

Supported All Models

*PSC?

The Power-On Status Clear (PSC) query returns the flag setting as enabled by the *PSC command.

***RCL**

Supported All Models

*RCL <reg> , <seq>

The Recall (RCL) command recalls the state from the specified memory register <reg> of the specified sequence <seq>.

Range Registers: 0–99 Sequences: 0–9

Key Entry RECALL Reg Select Seq:

*RST

Supported All Models

*RST

The Reset (RST) command resets most signal generator functions to factory-defined conditions.

Remarks Each command shows the *RST value if the setting is affected.

*SAV

Supported All Models

*SAV <reg> , <seq>

The Save (SAV) command saves signal generator settings to the specified memory register <reg> of the specified sequence <seq>.

Range Registers: 0–99 Sequences: 0–9

Key Entry Save Reg Save Seq[n] Reg[nn]

Remarks The save function does not save all signal generator settings. Refer to the *E4428C/38C ESG Signal Generators User's Guide* for more information on the save function. Refer to [“*RCL” on page 90](#) for information on recalling saved signal generator settings.

*SRE

Supported All Models

*SRE <data>

The Service Request Enable (SRE) command sets the value of the Service Request Enable Register.

The variable <data> is the decimal sum of the bits that will be enabled. Bit 6 (value 64) is ignored and cannot be set by this command.

Range 0–255

Remarks Refer to Chapter 3 of the *E4428C/38C ESG Signal Generators Programming*

Guide for more information.

Entering values from 64 to 127 is equivalent to entering values from 0 to 63.

The setting enabled by this command is not affected by signal generator preset or *RST. However, cycling the signal generator power will reset it to zero.

***SRE?**

Supported All Models

*SRE?

The Service Request Enable (SRE) query returns the value of the Service Request Enable Register.

Range 0–63 or 128–191

Remarks Refer to Chapter 3 of the *E4428C/38C ESG Signal Generators Programming Guide* for more information.

***STB?**

Supported All Models

*STB?

The Read Status Bye (STB) query returns the value of the status byte including the master summary status (MSS) bit.

Range 0–255

Remarks Refer to Chapter 3 of the *E4428C/38C ESG Signal Generators Programming Guide* for more information.

***TRG**

Supported All Models

*TRG

The Trigger (TRG) command triggers the device if BUS is the selected trigger source, otherwise, *TRG is ignored.

***TST?**

Supported All Models

*TST?

The Self-Test (TST) query initiates the internal self-test and returns one of the following results:

- 0 This shows that all tests passed.
- 1 This shows that one or more tests failed.

Key Entry **Run Complete Self Test**

***WAI**

Supported All Models

*WAI

The Wait-to-Continue (WAI) command causes the signal generator to wait until all pending commands are completed, before executing any other commands.

Memory Subsystem (:MEMory)

:CATalog:BINary

Supported E4438C with Option 001/601 or 002/602

:MEMory:CATalog:BINary?

This command outputs a list of the binary files. The return data will be in the following form:

```
<mem used>,<mem free>{,"<file listing>"}
```

The signal generator will return the two memory usage parameters and as many file listings as there are files in the directory list. Each file listing parameter will be in the following form:

```
"<file name,file type,file size>"
```

Key Entry Binary

Remarks Refer to [“File Name Variables” on page 13](#) for information on the file name syntax.

:CATalog:BIT

Supported E4438C with Option 001/601 or 002/602

:MEMory:CATalog:BIT?

This command outputs a list of the bit files. The return data will be in the following form:

```
<mem used>,<mem free>{,"<file listing>"}
```

The signal generator will return the two memory usage parameters and as many file listings as there are files in the directory list. Each file listing parameter will be in the following form:

```
"<file name,file type,file size>"
```

Key Entry Bit

Remarks Refer to [“File Name Variables” on page 13](#) for information on the file name syntax.

:CATalog:CDMa

NOTE Refer to the *E4428C/38C ESG Signal Generators Programming Compatibility Guide* for information on this command. This command is still valid for backward compatibility and was replaced by “:CATalog:CDMA”.

:CATalog:CDMA

Supported E4438C with Option 401

:MEMory:CATalog:CDMA?

This command outputs a list of the arbitrary waveform CDMA files. The return data will be in the following form:

```
<mem used>,<mem free>{,"<file listing>"}
```

The signal generator will return the two memory usage parameters and as many file listings as there are files in the directory list. Each file listing parameter will be in the following form:

```
"<file name,file type,file size>"
```

Key Entry CDMA

Remarks Refer to [“File Name Variables” on page 13](#) for information on the file name syntax.

:CATalog:DMOD

Supported E4438C with Option 001/601 or 002/602

:MEMory:CATalog:DMOD?

This command outputs a list of the arbitrary waveform digital modulation files. The return data will be in the following form:

```
<mem used>,<mem free>{,"<file listing>"}
```

The signal generator will return the two memory usage parameters and as many file listings as there are files in the directory list. Each file listing parameter will be in the following form:

```
"<file name,file type,file size>"
```

Key Entry DMOD

Remarks Refer to [“File Name Variables” on page 13](#) for information on the file name syntax.

:CATalog:DWCDma

Supported E4438C with Option 400

:MEMory:CATalog:DWCDma?

This command outputs a list of the arbitrary waveform downlink W-CDMA files. The return data will be in the following form:

```
<mem used>,<mem free>{,"<file listing>"}
```

The signal generator will return the two memory usage parameters and as many file listings as there are files in the directory list. Each file listing parameter will be in the following form:

```
"<file name,file type,file size>"
```

Key Entry DWCDMA

Remarks Refer to [“File Name Variables” on page 13](#) for information on the file name syntax.

:CATalog:FCDMa

Supported E4438C with Option 401

:MEMory:CATalog:FCDMa?

This command outputs a list of the arbitrary waveform forward link cdma2000 files. The return data will be in the following form:

```
<mem used>,<mem free>{,"<file listing>"}
```

The signal generator will return the two memory usage parameters and as many file listings as there are files in the directory list. Each file listing parameter will be in the following form:

```
"<file name,file type,file size>"
```

Key Entry FCDMA

Remarks Refer to [“File Name Variables” on page 13](#) for information on the file name syntax.

:CATalog:FIR

Supported E4438C with Option 001/601 or 002/602

:MEMory:CATalog:FIR?

This command outputs a list of the finite impulse response filter files. The return data will be in the following form:

```
<mem used>,<mem free>{,"<file listing>"}
```

The signal generator will return the two memory usage parameters and as many file listings as there are files in the directory list. Each file listing parameter will be in the following form:

```
"<file name,file type,file size>"
```

Key Entry FIR

Remarks Refer to [“File Name Variables” on page 13](#) for information on the file name syntax.

:CATalog:FSK

Supported E4438C with Option 001/601 or 002/602

:MEMory:CATalog:FSK?

This command outputs a list of the FSK files. The return data will be in the following form:

```
<mem used>,<mem free>{,"<file listing>"}
```

The signal generator will return the two memory usage parameters and as many file listings as there are files in the directory list. Each file listing parameter will be in the following form:

```
"<file name,file type,file size>"
```

Key Entry FIR

Remarks Refer to [“File Name Variables” on page 13](#) for information on the file name syntax.

:CATalog:IQ

Supported E4438C with Option 001/601 or 002/602

:MEMory:CATalog:IQ?

This command outputs a list of the IQ files. The return data will be in the following form:

<mem used>,<mem free>{,"<file listing>"}

The signal generator will return the two memory usage parameters and as many file listings as there are files in the directory list. Each file listing parameter will be in the following form:

"<file name,file type,file size>"

Key Entry I/Q

Remarks Refer to [“File Name Variables” on page 13](#) for information on the file name syntax.

:CATalog:LIST

Supported All Models

:MEMory:CATalog:LIST?

This command outputs a list of the list sweep files. The return data will be in the following form:

<mem used>,<mem free>{,"<file listing>"}

The signal generator will return the two memory usage parameters and as many file listings as there are files in the directory list. Each file listing parameter will be in the following form:

"<file name,file type,file size>"

Key Entry List

Remarks Refer to [“File Name Variables” on page 13](#) for information on the file name syntax.

:CATalog:MCDMa

Supported E4438C with Option 401

:MEMory:CATalog:MCDMa?

This command outputs a list of the arbitrary waveform multicarrier IS-95 CDMA files. The return data will be in the following form:

```
<mem used>,<mem free>{,"<file listing>"}
```

The signal generator will return the two memory usage parameters and as many file listings as there are files in the directory list. Each file listing parameter will be in the following form:

```
"<file name,file type,file size>"
```

Key Entry MCDMA

Remarks Refer to [“File Name Variables” on page 13](#) for information on the file name syntax.

:CATalog:MDMod

Supported E4438C with Option 001/601 or 002/602

:MEMory:CATalog:MDMod?

This command outputs a list of the arbitrary waveform multicarrier digital modulation files. The return data will be in the following form:

```
<mem used>,<mem free>{,"<file listing>"}
```

The signal generator will return the two memory usage parameters and as many file listings as there are files in the directory list. Each file listing parameter will be in the following form:

```
"<file name,file type,file size>"
```

Key Entry MDMOD

Remarks Refer to [“File Name Variables” on page 13](#) for information on the file name syntax.

:CATalog:MDWCdma

Supported E4438C with Option 400

:MEMory:CATalog:MDWCdma?

This command outputs a list of the arbitrary waveform multicarrier downlink W-CDMA files. The return data will be in the following form:

```
<mem used>,<mem free>{,"<file listing>"}
```

The signal generator will return the two memory usage parameters and as many file listings as there are files in the directory list. Each file listing parameter will be in the following form:

```
"<file name,file type,file size>"
```

Key Entry MDWCDMA

Remarks Refer to [“File Name Variables” on page 13](#) for information on the file name syntax.

:CATalog:MFCdma

Supported E4438C with Option 401

:MEMory:CATalog:MFCdma?

This command outputs a list of the arbitrary waveform multicarrier forward link cdma2000 files. The return data will be in the following form:

```
<mem used>,<mem free>{,"<file listing>"}
```

The signal generator will return the two memory usage parameters and as many file listings as there are files in the directory list. Each file listing parameter will be in the following form:

```
"<file name,file type,file size>"
```

Key Entry MFCDMA

Remarks Refer to [“File Name Variables” on page 13](#) for information on the file name syntax.

:CATalog:MTONE

Supported E4438C with Option 001/601 or 002/602

:MEMory:CATalog:MTONE?

This command outputs a list of the arbitrary waveform multitone files. The return data will be in the following form:

```
<mem used>,<mem free>{,"<file listing>"}
```

The signal generator will return the two memory usage parameters and as many file listings as there are files in the directory list. Each file listing parameter will be in the following form:

```
"<file name,file type,file size>"
```

Key Entry MTONE

Remarks Refer to [“File Name Variables” on page 13](#) for information on the file name syntax.

:CATalog:RCDMa

Supported E4438C with Option 401

:MEMory:CATalog:RCDMa?

This command outputs a list of the arbitrary waveform files for reverse link cdma2000. The return data will be in the following form:

```
<mem used>,<mem free>{,"<file listing>"}
```

The signal generator will return the two memory usage parameters and as many file listings as there are files in the directory list. Each file listing parameter will be in the following form:

```
"<file name,file type,file size>"
```

Key Entry RCDMA

Remarks Refer to [“File Name Variables” on page 13](#) for information on the file name syntax.

:CATalog:SEQ

Supported E4438C with Option 001/601 or 002/602

:MEMory:CATalog:SEQ?

This command outputs a list of the arbitrary waveform sequence files. The return data will be in the following form:

```
<mem used>,<mem free>{,"<file listing>"}
```

The signal generator will return the two memory usage parameters and as many file listings as there are files in the directory list. Each file listing parameter will be in the following form:

```
"<file name,file type,file size>"
```

Key Entry SEQ

Remarks Refer to [“File Name Variables” on page 13](#) for information on the file name syntax.

:CATalog:SHAPE

Supported E4438C with Option 001/601 or 002/602

:MEMory:CATalog:SHAPE?

This command outputs a list of the burst shape files. The return data will be in the following form:

```
<mem used>,<mem free>{,"<file listing>"}
```

The signal generator will return the two memory usage parameters and as many file listings as there are files in the directory list. Each file listing parameter will be in the following form:

```
"<file name,file type,file size>"
```

Key Entry SHAPE

Remarks Refer to [“File Name Variables” on page 13](#) for information on the file name syntax.

:CATalog:STATe

Supported All Models

:MEMory:CATalog:STATe?

This command outputs a list of the state files. The return data will be in the following form:

```
<mem used>,<mem free>{,"<file listing>"}
```

The signal generator will return the two memory usage parameters and as many file listings as there are files in the directory list. Each file listing parameter will be in the following form:

```
"<file name,file type,file size>"
```

Key Entry State

Remarks Refer to [“File Name Variables” on page 13](#) for information on the file name syntax.

:CATalog:UFLT

Supported All Models

:MEMory:CATalog:UFLT?

This command outputs a list of the user-flatness correction files. The return data will be in the following form:

```
<mem used>,<mem free>{,"<file listing>"}
```

The signal generator will return the two memory usage parameters and as many file listings as there are files in the directory list. Each file listing parameter will be in the following form:

```
"<file name,file type,file size>"
```

Key Entry User Flatness

Remarks Refer to [“File Name Variables” on page 13](#) for information on the file name syntax.

:CATalog:UWCDma

Supported E4438C with Option 400

:MEMory:CATalog:UWCDma?

This command outputs a list of the arbitrary waveform uplink W-CDMA files. The return data will be in the following form:

```
<mem used>,<mem free>{,"<file listing>"}
```

The signal generator will return the two memory usage parameters and as many file listings as there are files in the directory list. Each file listing parameter will be in the following form:

```
"<file name,file type,file size>"
```

Key Entry UWCDMA

Remarks Refer to [“File Name Variables” on page 13](#) for information on the file name syntax.

:CATalog[:ALL]

Supported All Models

:MEMory:CATalog[:ALL]?

This command outputs a list of all the files in the memory subsystem. However it does not include files stored on the Option 001/601 or 002/602 baseband generator. The return data will be in the following form:

```
<mem used>,<mem free>{,"<file listing>"}
```

The signal generator will return the two memory usage parameters and as many file listings as there are files in the memory subsystem. Each file listing parameter will be in the following form:

```
"<file name,file type,file size>"
```

Key Entry All

Remarks Refer to the [Table on page 14](#) for a listing of the file types and [“File Name Variables” on page 13](#) for information on the "<file name>" syntax.

:COPY[:NAME]

Supported All Models

```
:MEMory:COPY[:NAME] "<file name>","<file name>"
```

This command makes a duplicate of the requested file.

Key Entry Copy File

Remarks Refer to [“File Name Variables” on page 13](#) for information on the file name syntax.

When copying a waveform file from volatile to non-volatile memory, the marker file and file header, associated with the waveform file, will automatically be copied at the same time.

:DATA

Supported E4438C with Option 001/601 or 002/602

```
:MEMory:DATA "<file_name>",<data_block>
```

```
:MEMory:DATA? "<file_name>"
```

This command loads waveform data into signal generator memory using the `<data_block>` parameter and saves the data to a file designated by the `"<file_name>"` variable. The query returns the file contents of the file as a datablock.

The waveform file must be located in volatile waveform memory (WFM1) before it can be played by the signal generator’s dual ARB player.

For downloads directly into volatile waveform memory use the path `"WFM1:<file_name>"`. For downloads to non-volatile waveform memory, use the path `"NVWFM:<file_name>"`.

`"<file_name>"` This variable names the destination file, including the directory path.

`<data_block>` This parameter represents the data and file length parameters. The data in the file is represented by the `<data_block>` variable.

Refer to the *E4428C/38C ESG Signal Generators Programming Guide* for more information on programming the status registers.

NOTE ARB waveform files created using the `:DATA` command cannot be retrieved or uploaded. Attempting to do so will cause the signal generator to display the message: `ERROR:221, Access denied`. To download ARB data to files for later retrieval, use the `“:DATA:UNPRotected”` command on [page 116](#).

Example

```
:MEM:DATA "NVWFM:IQ_Data" ,#210Qaz37pY9oL
```

The preceding example downloads 10 bytes of data to a file, IQ_Data., in the signal generator's non-volatile memory. The table shown below describes the command parameters.

- | | |
|-------------------|--|
| • "NVWFM:IQ_Data" | IQ_Data is the file name. The directory path is not needed. The path "/USER/WAVEFORM/" is implied. |
| • #210Qaz37pY9oL | Data block |
| # | This character indicates the beginning of the data block |
| 2 | Number of digits in the byte count |
| 10 | Byte count |
| Qaz37pY9oL | 10 bytes of data |

NOTE The data, Qaz37pY9oL, in the above command are not valid and are shown for example purposes only. Typically, ascii characters representing data are unprintable.

Remarks See [“File Name Variables” on page 13](#) for information on the file name syntax.

:DATA:APPend

Supported E4438C with Option 001/601 or 002/602

```
:MEMory:DATA:APPend "<file_name>" ,<data_block>
```

This commands appends data to an existing file stored in signal generator memory.

"<file_name>" This variable names the destination file and directory path.

<data_block> This parameter represents the data and file length parameters. The data in the file is represented by the <data_block> variable. The file length parameters are used by the signal generator for allocating memory.

Refer to the *E4428C/38C ESG Signal Generators Programming Guide* for more information on downloading and using files.

Example

```
:MEM:DATA:APPend "NVWFM:IQ_Data",#14Y9oL
```

The preceding example downloads and appends the data, Y9oL, to an existing file named IQ_Data stored in the signal generator's non-volatile memory (NVWFM).

- "NVWFM:IQ_Data" IQ_Data the file name. The directory path is not needed. The path "/USER/WAVEFORM/" is implied.
- #14Y9oL Data block
 - # This character indicates the beginning of the data block
 - 1 Number of digits in the byte count
 - 4 Byte count
 - Y9oL 4 bytes of data

Remarks Refer to [“File Name Variables” on page 13](#) for information on the file name syntax.

:DATA:BIT

Supported E4438C with Option 001/601 or 002/602

```
:MEMory:DATA:BIT "<file_name>",<bit_count>,<data_block>
:MEMory:DATA:BIT? "<file_name>"
```

This command loads bit data into signal generator memory using the <bit_count> and <data_block> parameters and saves the data to a file designated by the "<file_name>" variable. The query returns the bit count, file length information, and the data.

"<file_name>" This variable names the destination file and the directory path.

<bit_count> This number represents the number of bits in the data block.

<data_block> This parameter represents the data and file length parameters. The data in the file is represented by the <data_block> variable. The file length parameters are used by the signal generator for allocating memory.

Refer to the *E4428C/38C ESG Signal Generators Programming Guide* for more information on downloading and using files.

Example

```
:MEM:DATA:BIT "Test_Data",16,#12Qz
```

The preceding example downloads bit data to the file, Test_Data. The table below describes the command parameters.

- "Test_Data" Test_Data is the file name. The directory path is not needed. The path "/USER/BIT/" is implied.
- 16 Number of bits in the data block
- #12Qz Data block
 - # This character indicates the beginning of the data block
 - 1 Number of digits in the byte count
 - 2 Byte count
 - Qz 16 bits of data (ascii representation of bit data)

Remarks Refer to [“File Name Variables” on page 13](#) for information on the file name syntax.

:DATA:FIR

Supported E4438C with Option 001/601 or 002/602

```
:MEMory:DATA:FIR "<file_name>",osr,coefficient{,coefficient}
```

```
:MEMory:DATA:FIR? "<file_name>"
```

This command loads oversample ratio (OSR) and user-defined finite impulse response (FIR) coefficient data into a file in the signal generator's non-volatile memory (NVWFM). The query returns the oversample ratio and coefficient data.

"<file_name>" This variable is the file name of the destination file. The directory path, /USER/FIR is not required as it is implied by the command.

osr The OSR is the number of filter taps per symbol.

coefficient This variable is the FIR coefficient. The maximum number of coefficients is 1024.

{,coefficient} This optional variable is used when you enter additional coefficients.

Refer to the *E4428C/38C ESG Signal Generators Programming Guide* for more information on downloading and using files.

Example

```
:MEM:DATA:FIR "FIR_1",4,0,0,0,0,0,0.000001,0.000012,0.000132,
0.001101,0.006743,0.030588,0.103676,0.265790,0.523849,0.809508,1,1,
0.809508,0.523849,0.265790,0.103676,0.030588,0.006743,0.001101,0.000132,
0.000012,0.000001,0,0,0,0,0
```

The preceding example downloads FIR coefficient and oversampling ratio data to the signal generator's non-volatile memory in a file named FIR_1. Notice that the signal generator directory

path, /USER/FIR, is not needed as it is implied by the command. Refer to “File Name Variables” on page 13 for information on the file name syntax.

Range *osr*: 1–32
 coefficient: –1000 to 1000

Key Entry **Oversample Ratio**

:DATA:FSK

Supported E4438C with Option 001/601 or 002/602

```
:MEMory:DATA:FSK "<file_name>",<num_states>,<f0>,<f1>,...<f(n)>
[,<diff_state>,<num_diff_states>,<diff1>,...<diff(n)>]
:MEMory:DATA:FSK? "<file_name>"
```

This command loads custom frequency shift keying (FSK) data into a file in the signal generator’s non-volatile memory (NVWFM).

The query returns data in the following form:

```
<num_states>,<f0>,<f1>,...<f(n)>,<diff_state>,<num_diff_states>,<diff1>,
...<diff(n)>
```

"<file_name>" This variable string identifies the name of the FSK file. The filename must be enclosed with quotation marks.

<num_states> This variable identifies the number of frequency states.

<f0> This variable identifies the value of the first frequency state.

<f1>,...<f(n)> This variable identifies the value of the second and subsequent frequency states with a frequency resolution of 0.1Hz.

<diff_state> This variable enables or disables differential encoding.

<num_diff_states> This variable identifies the number of differential states.

<diff0> This variable identifies the value of the first differential state.

<diff1>,...<diff(n)> This variable identifies the value of the second and subsequent differential states.

Refer to the *E4428C/38C ESG Signal Generators Programming Guide* for more information on downloading and using files.

The query returns data in the following form:

<offsetQ>, <num_states>, <i0>, <q0>, <i1>, <q1>, ... <i(n)>, <q(n)>, <diff_state>
, <num_diff_states>, <diff0>, <diff1>, ... <diff(n)>

"<file_name>" This variable string identifies the name of the I/Q file. The filename must be enclosed with quotation marks.

<offsetQ> This variable enables (1) or disables (0) the Q output delay by 1/2 symbol from the I output.

<num_states> This is the number of symbols.

<i0>...<i(n)> This is the I value of the first and subsequent I symbols.

<q0>...<q(n)> This is the Q value of the first and subsequent Q symbols.

<diff_state> This variable enables and disables differential encoding.

<num_diff_states> This variable identifies the number of differential states.

<diff0> This variable identifies the value of the first differential state.

<diff1, ... diff(n)> This variable identifies the value of the second and subsequent differential states.

Refer to the *E4428C/38C ESG Signal Generators Programming Guide* for more information on downloading and using files.

Example

```
:MEM:DATA:IQ "Test_BPSK",1,2,1,0,0,0
```

The preceding example loads and stores a two-symbol I/Q file named `Test_BPSK` that has a Q offset. The table shown below describes the command parameters.

- "Test_BPSK" `Test_BPSK` is the file name. The directory path is not needed. The path `"/USER/IQ"` is implied.
- 1 Q Offset. The Q output delay is enabled.
- 2 Number of symbols
- 1 Value of the first I symbol
- 0 Value of the first Q symbol.
- 0 Value of the second I symbol
- 0 Value of the second Q symbol

Range	<i>num_states</i> : 2–256 <i>i0–i(n)</i> : –1 to 1 <i>q0–q(n)</i> : –1 to 1 <i>num_diff_states</i> : 0–256 <i>diff0–diff(n)</i> : –128 to 127
Remarks	Refer to “ File Name Variables ” on page 13 for information on the file name syntax.

:DATA:PRAM:FILE:BLOCK

Supported E4438C with Option 001/601 or 002/602

```
:MEMory:DATA:PRAM:FILE:BLOCK "<file_name>", <data_block>
```

This command loads block-formatted data directly into pattern RAM volatile memory (WFM1). Pattern RAM memory describes how memory (WFM1) is used and is not a distinct piece of memory. A PRAM file is specified as an array of bytes.

"<file_name>" This variable names the destination file. No directory path name is needed.

<data_block> This parameter represents the data and file length parameters. The data in the file is represented by the <data_block> variable. The file length parameters are used by the signal generator for allocating memory.

Pattern Ram files are binary files downloaded directly into waveform memory as an array of bytes. Each byte specifies a data bit (LSB 0), a burst bit (BIT 2), and an Event 1 output bit (BIT 6). Refer to the *E4428C/38C ESG Signal Generators Programming Guide* for more information on pattern RAM downloading.

Example

```
:MEM:DATA:PRAM:FILE:BLOC "PRAM_Data", #14Yq8L
```

The preceding example downloads PRAM data to a file named PRAM_Data into the signal generator’s volatile memory (WFM1).

- "PRAM_Data" PRAM_Data is the file name. PRAM files are saved to the signal generator’s volatile memory (WFM1).
- #14Yq8L Data block
 - # This character indicates the beginning of the data block
 - 1 Number of digits in the byte count
 - 4 Byte count
 - Yq8L 4 bytes of data

NOTE The data, Yq8L, in the above command is not valid and is used for example purposes only. Typically, ASCII characters representing data are unprintable.

Remarks Refer to “File Name Variables” on page 13 for information on the file name syntax.

:DATA:PRAM:FILE:LIST

Supported E4438C with Option 001/601 or 002/602

MEMory:DATA:PRAM:FILE:LIST "<file_name>" , <uint8>[, <uint8> , <...>]

This command loads list-formatted data directly into pattern RAM volatile memory (WFM1). Pattern RAM memory describes how memory (WFM1) is used and is not a distinct piece of memory. A PRAM file is specified as an array of bytes.

NOTE This command should be preceded by a *WAI (Wait-to-Continue) command to ensure that all pending operations are completed, before loading the list.

"<file_name>" This variable names the destination file.

<uint8> This variable is any of the valid 8-bit, unsigned integer values between 0 and 255.

[, <uint8> , <...>] This variable identifies the value of the second and subsequent 8-bit unsigned integer variables.

Pattern Ram files are binary files downloaded directly into waveform memory as an array of bytes. Each byte specifies a data bit (LSB 0), a burst bit (BIT 2), and an Event 1 output bit (BIT 6). Refer to the *E4428C/38C ESG Signal Generators Programming Guide* for more information on pattern RAM downloading.

Example

```
:MEM:DATA:PRAM:LIST "Pram_Data" , 85 , 21 , 21 , 20 , 20 , 100
```

The preceding example downloads PRAM data, in list format, to a file named `Pram_Data` in the signal generator’s volatile memory (WFM1).

- "Pram_Data" Pram_Data is the file name. PRAM files are saved to the signal generator’s volatile memory (WFM1).
- 85 The first 8-bit integer value
- 21 , 21 , 20 , 20 , 100 Subsequent 8-bit integer values.

Memory Subsystem (:MEMory)

Range	0–255
Remarks	Refer to “File Name Variables” on page 13 for information on the file name syntax.

:DATA:PRAM

NOTE	Refer to the <i>E4428C/38C ESG Signal Generators Programming Compatibility Guide</i> for information on this command. This command is still valid for backward compatibility with earlier signal generator models.
-------------	--

:DATA:PRAM:BLOCK

NOTE	Refer to the <i>E4428C/38C ESG Signal Generators Programming Compatibility Guide</i> for information on this command. This command was replaced by “:DATA:PRAM:FILE:BLOCK” on page 112.
-------------	---

:DATA:PRAM:LIST

NOTE	Refer to the <i>E4428C/38C ESG Signal Generators Programming Compatibility Guide</i> for information on this command. This command has been replaced by “:DATA:PRAM:FILE:LIST” on page 113.
-------------	---

:DATA:SHAPE

Supported E4438C with Option 001/601 or 002/602

```
:MEMory:DATA:SHAPE "<filename>",<num_rise_points>,<rp0>,<rp1>,  
...<num_fall_points>,<fp0>,<fp1>,...<fp(n)>  
:MEMory:DATA:SHAPE? "<filename>"
```

This command creates a new burst shape file and stores it in the signal generator non-volatile memory.

"<filename>" This variable string identifies the name of the burst shape file.

num_rise_points This variable specifies how many rise points used in the command.

rp0,...rp(n) This variable defines each successive rise point, where 0 is no power and 1 is full power.

num_fall_points This variable specifies how many fall points used in the command.

fp0,...fp(n) This variable defines each successive fall point, where 0 is no power and 1 is full power.

Range num_rise_points: 2–256 num_fall_points: 2–256
 rp0–rp(n): 0.0–1.0 fp0–fp(n): 0.0–1.0

:DATA:SHAPE

Supported E4438C with Option 001/601 or 002/602

```
:MEMory:DATA:SHAPE
"<file_name>",<rise_pnts>,<rp0>,<rp1>,...<fall_points>,<fp0>,<fp1>,...<fp(n)>
:MEMory:DATA:SHAPE? "<file_name>"
```

This command loads a burst shape file into the signal generator's non-volatile memory (NVWFM).

"<file_name>" This variable names the destination file and directory path.

rise_pnts This variable indicates the number of rise points used to describe the burst shape rising slope.

rp0,...rp(n) This variable defines each successive rise point, where 0 is no power and 1 is full power.

fall_points This variable indicates the number of fall points used to describe the burst shape falling slope.

fp0,...fp(n) This variable defines each successive fall point, where 1 is full power and 0 is no power.

Refer the *E4428C/38C ESG Signal Generators Programming Guide* for more information on downloading and using files.

Example

```
:MEM:DATA:SHAP "Shape_File",6,0,0.2,0.4,0.6,0.8,1.0,2,0.5,0
```

The preceding example loads shape data to a file named `Shape_File` in the signal generator's non-volatile memory.

- "Shape_File" `Shape_File` is the shape data filename. The directory path is not needed. The path `"/USER/SHAPE/"` is implied.
- 6 Number of rise points describing the burst shape.
- 0,0.2,0.4,0.6,0.8,1.0 Rise point values.
- 2 Number of fall points describing the burst shape.
- 0.5,0 Fall point values.

Range	<i>num_rise_points</i> : 2–256
	<i>num_fall_points</i> : 2–256
	<i>rp0–rp(n)</i> : 0.0–1.0
	<i>fp0–fp(n)</i> : 0.0–1.0

:DATA:UNPRotected

Supported E4438C with Option 001/601 or 002/602

:MEMory:DATA:UNPRotected "<file_name>" ,<data_block>

This command allows you to download data and store it in a file on the signal generator with the ability to retrieve it. This command is intended for downloading waveform data; however you can use it to download other types of data.

NOTE If you do not use the *UNPRotected* command when downloading a waveform file, you will not be able to retrieve or upload the file. Attempting to do so will cause the signal generator to display the message: `ERROR:221, Access denied`.

"<file_name>" This variable names the destination file and directory path. The file type determines how you must format the "<file_name>" variable as described in the following list.

- **Binary file** The "<file_name>" variable requires only a file name. A file name without a file path is automatically stored in the Binary memory catalog. Refer to [“File Name Variables” on page 13](#) for information on the file name syntax.
- **Encrypted file** The "<file_name>" variable requires a path that includes the SECUREWAVE directory. The securewave directory path is SNVWFM: for non-volatile waveform memory and SWFM1: for volatile waveform memory.
- **All other file types** The "<file_name>" variable requires a path that includes the destination directory for the file type. Refer to the [Table on page 14](#), and [“File Name Variables” on page 13](#) for more information.

<data_block> This parameter represents the data and file length parameters. The data in the file is represented by the <data_block> variable.

Refer to the *E4428C/38C ESG Signal Generators Programming Guide* for more information on downloading and using files.

Example

```
:MEM:DATA:UNPR "NVWFM:Data_File",#18Qz37pY9o
```

The preceding example downloads waveform data to a file named Data_File in the signal generator's non-volatile securewave directory. The table shown below describes the command parameters.

- | | |
|---------------------|--|
| • "NVWFM:Data_File" | Data_File is the filename. The directory path is not needed. The path "/USER/SECUREWAVE" is implied. |
| • #18Qz37pY9o | Data block |
| # | This character indicates the beginning of the data block |
| 1 | Number of digits in the byte count |
| 8 | Byte count |
| Qz37pY9o | 8 bytes of data |

NOTE The data, Qz37pY9o, in the above command is not valid and is used for example purposes only. Typically, ascii characters representing data are unprintable.

:DElete:ALL

Supported All Models

CAUTION Using this command deletes all user files including binary, list, state, and flatness correction files, and any saved setups which use the front panel table editor. However, this does not include files stored on the Option 001/601 or 002/602 baseband generator. You cannot recover the files after executing this command.

```
:MEMory:DELeTe:ALL
```

This command clears the file system of all user files.

Key Entry Delete All Files

:DElete:BINary

Supported E4438C with Option 001/601 or 002/602

:MEMory:DElete:BINary

This command deletes all binary files.

Key Entry Delete All Binary Files

:DElete:BIT

Supported E4438C with Option 001/601 or 002/602

:MEMory:DElete:BIT

This command deletes all bit files.

Key Entry Delete All Bit Files

:DElete:CDMa

NOTE Refer to the *E4428C/38C ESG Signal Generators Programming Compatibility Guide* for information on this command. This command is still valid for backward compatibility and was replaced by “:DElete:CDMA”.

:DElete:CDMA

Supported E4438C with Option 401

:MEMory:DElete:CDMA

This command deletes all arbitrary waveform IS-95 CDMA files.

Key Entry Delete All ARB CDMA Files

:DElete:DMOD

Supported E4438C with Option 001/601 or 002/602

:MEMory:DElete:DMOD

This command deletes all arbitrary waveform digital modulation files.

Key Entry Delete All ARB DMOD Files

:DElete:DWCDma

Supported E4438C with Option 400

:MEMory:DElete:DWCDma

This command deletes all arbitrary waveform downlink W-CDMA files.

Key Entry Delete All ARB DWCDMA Files

:DElete:FCDMa

Supported E4438C with Option 401

:MEMory:DElete:FCDMa

This command deletes all arbitrary waveform forward link W-CDMA files.

Key Entry Delete All ARB FCDMA Files

:DElete:FIR

Supported E4438C with Option 001/601 or 002/602

:MEMory:DElete:FIR

This command deletes all finite impulse response filter files.

Key Entry Delete All FIR Files

:DElete:FSK

Supported E4438C with Option 001/601 or 002/602

:MEMory:DElete:FSK

This command deletes all FSK files.

Key Entry Delete All FSK Files

:DElete:IQ

Supported E4438C with Option 001/601 or 002/602

:MEMory:DElete:IQ

This command deletes all I/Q files.

Key Entry Delete All I/Q Files

:DElete:LIST

Supported All Models

:MEMory:DElete:LIST

This command deletes all List files.

Key Entry Delete All List Files

:DElete:MCDMa

Supported E4438C with Option 401

:MEMory:DElete:MCDMa

This command deletes all arbitrary waveform multicarrier IS-95 CDMA files.

Key Entry Delete All ARB MCDMA Files

:DElete:MDMod

Supported E4438C with Option 001/601 or 002/602

:MEMory:DElete:MDMod

This command deletes all arbitrary waveform multicarrier digital modulation files.

Key Entry Delete All ARB MDMOD Files

:DElete:MDWCdma

Supported E4438C with Option 400

:MEMory:DElete:MDWCdma

This command deletes all arbitrary waveform multicarrier downlink W-CDMA files.

Key Entry Delete All ARB MDWCDMA Files

:DElete:MFCdma

Supported E4438C with Option 401

:MEMory:DElete:MFCdma

This command deletes all arbitrary waveform multicarrier forward link cdma2000 files.

Key Entry Delete All ARB MFCDMA Files

:DElete:MTONE

Supported E4438C with Option 001/601 or 002/602

:MEMory:DElete:MTONE

This command deletes all arbitrary waveform multitone files.

Key Entry Delete All ARB MTONE Files

:DElete:RCDMa

Supported E4438C with Option 401

:MEMory:DElete:RCDMa

This command deletes all arbitrary waveform reverse link cdma2000 files.

Key Entry Delete All ARB RCDMA Files

:DElete:SEQ

Supported E4438C with Option 001/601 or 002/602

:MEMory:DElete:SEQ

This command deletes all sequence files.

Key Entry Delete All Sequence Files

:DElete:SHAPE

Supported E4438C with Option 001/601 or 002/602

:MEMory:DElete:SHAPE

This command deletes all burst shape files.

Key Entry Delete All Shape Files

:DElete:STATE

Supported All Models

:MEMory:DElete:STATE

This command deletes all state files.

Key Entry Delete All Models State Files

:DElete:UFLT

Supported All Models

:MEMory:DElete:UFLT

This command deletes all user-flatness correction files.

Key Entry Delete All UFLT Files

:DElete:UWCDma

Supported E4438C with Option 400

:MEMory:DElete:UWCDma

This command deletes all arbitrary waveform uplink W-CDMA files.

Key Entry Delete All ARB UWCDMA Files

:DElete[:NAME]

Supported All Models

:MEMory:DElete[:NAME] "<file name>"

This command clears the user file system of "<file name>".

Key Entry Delete File

Remarks Refer to [“File Name Variables” on page 13](#) for information on the file name syntax.

When deleting a waveform (WFM1) file from memory, the marker file and file header, associated with the waveform file, will also be deleted.

:FREE[:ALL]

Supported All Models

:MEMory:FREE[:ALL]?

This command returns the number of bytes left in the user file system.

Key Entry All

:LOAD:LIST

Supported All Models

:MEMory:LOAD:LIST "<file name>"

This command loads a list sweep file.

Key Entry Load From Selected File

:MOVE

Supported All Models

:MEMory:MOVE "<src_file>", "<dest_file>"

This command renames the requested file in the memory catalog.

Key Entry Rename File

Remarks Refer to [“File Name Variables” on page 13](#) for information on the file name syntax.

:STAtE:COMMeNt

Supported All Models

:MEMory:STAtE:COMMeNt <reg_num>, <seq_num>, "<comment>"

:MEMory:STAtE:COMMeNt? <reg_num>, <seq_num>

This command lets you to add a descriptive comment to the saved state <reg_num>, <seq_num>. Comments can be up to 55 characters long.

Key Entry Add Comment To Seq[n] Reg[nn]

:STORe:LIST

Supported All Models

:MEMory:STORe:LIST "<file name>"

This command stores the current list sweep data to a file.

Key Entry Store To File

Mass Memory Subsystem (:MMEMory)

:CATalog

Supported All Models

```
:MMEMory:CATalog? "<msus>"
```

This command outputs a list of the files from the specified file system.

The variable "<msus>" (mass storage unit specifier) represents "<file system>". The file systems and types are shown in [Table 1-4 on page 14](#).

The return data will be in the following form:

```
<mem used>,<mem free>{,"<file listing>"}
```

The signal generator will return the two memory usage parameters and as many file listings as there are files in the specified file system. Each file listing will be in the following format:

```
"<file name,file type,file size>"
```

Key Entry	Binary	List	State	User Flatness	FIR	Shape	Bit	FSK
	IQ	Seq	DMOD	MTONE	MDMOD	CDMA	MCDMA	FCDMA
	MFCDMA	RCDMA	WCDMA	FWCDMA	MFWCDMA	RWCDMA		
	DWCDMA	MDWCDMA	UWCDMA	WFM1	NVMKR	NVWFM		

Remarks Refer to “[MSUS \(Mass Storage Unit Specifier\) Variable](#)” on page 16 for information on the use of the "<msus>" variable.

:COPY

Supported All Models

```
:MMEMory:COPY "<file name>","<file name>"
```

This command makes a duplicate of the requested file.

Key Entry Copy File

Remarks Refer to “[File Name Variables](#)” on page 13 for information on the file name syntax.

When copying a waveform file from volatile to non-volatile memory, the marker file and file header, associated with the waveform file, will automatically be copied at the same time.

:DATA

Supported E4438C with Option 001/601 or 002/602

:MMEMory:DATA "<file name>", <datablock>

:MMEMory:DATA? "<file name>"

This command loads <datablock> into the memory location "<file name>".

The query returns the <datablock> associated with the "<file name>".

Remarks Refer to [“File Name Variables” on page 13](#) for information on the file name syntax.

:DElete:NVWFm

Supported E4438C with Option 001/601 or 002/602

:MMEMory:DElete:NVWFm

This command clears the user file system of all non-volatile arbitrary waveform files.

Key Entry Delete All NVWFm Files

:DElete:WFM

Supported E4438C with Option 001/601 or 002/602

:MMEMory:DElete:WFM

This command clears the user file system of all arbitrary waveform files, which is the same function as performed by the command shown in [“:DElete:WFM1”](#).

Key Entry Delete All WFM1 Files

:DElete:WFM1

Supported E4438C with Option 001/601 or 002/602

:MMEMory:DElete:WFM1

This command clears the user file system of all arbitrary waveform files, which is the same function as performed by the command shown in [“:DElete:WFM1”](#).

Key Entry Delete All WFM1 Files

:DElete[:NAME]**Supported** All

```
:MMEMory:DElete[:NAME] "<file name>", ["<msus>"]
```

This command clears the user file system of "<file name>" with the option of specifying the file system separately.

The variable "<msus>" (mass storage unit specifier) represents the file system. For a list of the file systems refer to the [Table on page 14](#).

Key Entry Delete File

Remarks If the optional variable "<msus>" is omitted, the file name needs to include the file system extension. Refer to [“File Name Variables” on page 13](#) and [“MSUS \(Mass Storage Unit Specifier\) Variable” on page 16](#) for information on the use of the file variables.

When deleting a waveform file from memory, the marker file and file header, associated with the waveform file, will also be deleted.

:HEADer:CLEar**Supported** E4438C with Option 001/601 or 002/602

```
:MMEMory:HEADer:CLEar "<file name>"
```

This command sets the file header field settings to unspecified for the "<file name>" variable.

Key Entry Clear Header

Remarks This command does not require a personality modulation to be on. Refer to [“File Name Variables” on page 13](#) for information on the file name syntax.

:HEADer:DEScRiption**Supported** E4438C with Option 001/601 or 002/602

```
:MMEMory:HEADer:DEScRiption "<file name>","<description>"
```

```
:MMEMory:HEADer:DEScRiption? "<file name>"
```

This command inserts a description for the file header.

Key Entry Edit Description

Remarks The header description is limited to 32 characters. Refer to [“File Name Variables” on page 13](#) for information on the file name syntax.

:LOAD:LIST

Supported All

`:MMEMory:LOAD:LIST "<file name>"`

This command loads a List sweep file.

Key Entry Load From Selected File

:MOVE

Supported All

`:MMEMory:MOVE "<src_file>", "<dest_file>"`

This command renames the requested file in the memory catalog.

Key Entry Rename File

Remarks Refer to [“File Name Variables” on page 13](#) for information on the file name syntax.

:STORe:LIST

Supported All

`:MMEMory:STORe:LIST "<file name>"`

This command stores the current list sweep data to a file.

Key Entry Store To File

Output Subsystem (:OUTPut)

:BLANking:AUTO

Supported All

:OUTPut:BLANking:AUTO ON|OFF|1|0

:OUTPut:BLANking:AUTO?

This command turns the RF output on or off during frequency band changes. Frequency band changes can cause the signal generator's RF output to fluctuate. The output blanking function, when active, turns off the RF output until the frequency settles.

ON(1) The RF output turns off when crossing a frequency band.

OFF(0) The RF output stays on when crossing a frequency band.

*RST 1

Key Entry Output Blanking Off On Auto

Remarks Refer to the signal generator's data sheet for information on frequency switching speeds, settling times, and frequency band information.

:BLANking:STATe

Supported All

:OUTPut:BLANking:STATe ON|OFF|1|0

:OUTPut:BLANking:STATe?

This command enables or disables the RF output blanking state.

ON(1) The RF output turns off during frequency changes.

OFF(0) The RF output stays on during frequency changes.

*RST 1

Remarks Refer to the signal generator's data sheet for information on frequency switching speeds, settling times, and frequency band information.

:MODulation[:STATe]

Supported All

:OUTPut:MODulation[:STATe] ON|OFF|1|0

:OUTPut:MODulation[:STATe]?

This command enables or disables the modulation of the RF output with the currently active modulation type(s).

***RST** 1

Key Entry Mod On/Off

Remarks Some modulation types can be simultaneously enabled such as pulse and AM.
An annunciator on the signal generator is always displayed to indicate whether modulation is switched on or off.

[:STATe]

Supported All

:OUTPut[:STATe] ON|OFF|1|0

:OUTPut[:STATe]?

This command enables or disables the RF output.

***RST** 0

Key Entry RF On/Off

Remarks Although you can configure and engage various modulations, no signal is available at the RF OUTPUT connector until this command is executed.
An annunciator is always displayed on the signal generator to indicate whether the RF output is switched on or off.

Route Subsystem (:ROUTE:HARDware:DGENERator)

:INPut:BPOLarity

Supported E4438C with Option 001/601 or 002/602

:ROUTE:HARDware:DGENERator:INPut:BPOLarity POSitive|NEGative

:ROUTE:HARDware:DGENERator:INPut:BPOLarity?

This command configures the polarity of the TTL input signal at the BURST GATE IN connector. POSitive refers to normal logic, while NEGative refers to inverted logic.

***RST** POS

Key Entry Burst Gate In Polarity Neg Pos

Remarks This command performs the same function as [“:IPOLarity:BGATE”](#) on page 131.

:INPut:CPOLarity

Supported E4438C with Option 001/601 or 002/602

:ROUTE:HARDware:DGENERator:INPut:CPOLarity POSitive|NEGative

:ROUTE:HARDware:DGENERator:INPut:CPOLarity?

This command configures the polarity of the TTL input signal at the DATA CLOCK connector. POSitive refers to normal logic, while NEGative refers to inverted logic.

***RST** POS

Key Entry Data Clock Polarity Neg Pos

Remarks This command performs the same function as [“:IPOLarity:CLOCK”](#) on page 132.

:INPut:DPOLarity

Supported E4438C with Option 001/601 or 002/602

:ROUTE:HARDware:DGENerator:INPut:DPOLarity POSitive|NEGative

:ROUTE:HARDware:DGENerator:INPut:DPOLarity?

This command configures the polarity of the TTL input signal at the DATA connector. POSitive refers to normal logic, while NEGative refers to inverted logic.

***RST** POS

Key Entry Data Polarity Neg Pos

Remarks This command performs the same function as “:IPOLarity:DATA” on page 132.

:INPut:SPOLarity

Supported E4438C with Option 001/601 or 002/602

:ROUTE:HARDware:DGENerator:INPut:SPOLarity POSitive|NEGative

:ROUTE:HARDware:DGENerator:INPut:SPOLarity?

This command configures the polarity of the TTL input signal at the SYMBOL SYNC connector. POSitive refers to normal logic, while NEGative refers to inverted logic.

***RST** POS

Key Entry Symbol Sync Polarity Neg Pos

Remarks This command performs the same function as “:IPOLarity:SSYNc” on page 132.

:IPOLarity:BGATe

Supported E4438C with Option 001/601 or 002/602

:ROUTE:HARDware:DGENerator:IPOLarity:BGATe POSitive|NEGative

:ROUTE:HARDware:DGENerator:IPOLarity:BGATe?

This command configures the polarity of the input signal at the BURST GATE IN connector. POSitive refers to normal logic, while NEGative refers to inverted logic.

***RST** POS

Key Entry Burst Gate In Polarity Neg Pos

Remarks This command performs the same function as “:INPut:BPOLarity” on page 130.

:IPOLarity:CLOCK

Supported E4438C with Option 001/601 or 002/602

:ROUTE:HARDware:DGENERator:IPOLarity:CLOCK POSitive|NEGative

:ROUTE:HARDware:DGENERator:IPOLarity:CLOCK?

This command configures the polarity of the TTL input signal at the DATA CLOCK connector. POSitive refers to normal logic, while NEGative refers to inverted logic.

***RST** POS

Key Entry Data Clock Polarity Neg Pos

Remarks This command performs the same function as [“:INPut:CPOLarity” on page 130](#).

:IPOLarity:DATA

Supported E4438C with Option 001/601 or 002/602

:ROUTE:HARDware:DGENERator:IPOLarity:DATA POSitive|NEGative

:ROUTE:HARDware:DGENERator:IPOLarity:DATA?

This command configures the polarity of the TTL input signal at the DATA connector. POSitive refers to normal logic, while NEGative refers the inverted logic.

***RST** POS

Key Entry Data Polarity Neg Pos

Remarks This command performs the same function as [“:INPut:DPOLarity” on page 131](#).

:IPOLarity:SSYNc

Supported E4438C with Option 001/601 or 002/602

:ROUTE:HARDware:DGENERator:IPOLarity:SSYNc POSitive|NEGative

:ROUTE:HARDware:DGENERator:IPOLarity:SSYNc?

This command configures the polarity of the TTL input signal at the SYMBOL SYNC connector. POSitive refers to normal logic, while NEGative refers to inverted logic.

***RST** POS

Key Entry Symbol Sync Polarity Neg Pos

Remarks This command performs the same function as [“:INPut:SPOLarity” on page 131](#).

:OPOLarity:CLOCK

Supported E4438C with Option 001/601 or 002/602

```
:ROUTE:HARDware:DGENERator:OPOLarity:CLOCK POSitive|NEGative
```

```
:ROUTE:HARDware:DGENERator:OPOLarity:CLOCK?
```

This command configures the polarity of the TTL output Data Clock Out signal at the DATA CLK OUT pin on the rear panel AUX I/O connector. POSitive refers to normal logic, while the NEGative refers to inverted logic.

***RST** POS

Key Entry Data Clock Out Neg Pos

Remarks This command performs the same function as [“:OUTPut:CPOLarity” on page 134](#).

:OPOLarity:DATA

Supported E4438C with Option 001/601 or 002/602

```
:ROUTE:HARDware:DGENERator:OPOLarity:DATA POSitive|NEGative
```

```
:ROUTE:HARDware:DGENERator:OPOLarity:DATA?
```

This command configures the polarity of the TTL output DATA OUT signal at the DATA OUT pin on the rear panel AUX I/O connector. POSitive refers to normal logic, while NEGative refers to inverted logic.

***RST** POS

Key Entry Data Out Polarity Neg Pos

Remarks This command performs the same function as [“:OUTPut:DPOLarity” on page 135](#).

:OPOLarity:SSYNc

Supported E4438C with Option 001/601 or 002/602

:ROUTE:HARDware:DGENERator:OPOLarity:SSYNc POSitive|NEGative

:ROUTE:HARDware:DGENERator:OPOLarity:SSYNc?

This command configures the polarity of the TTL output SYMBOL SYNC signal at the SYM SYNC OUT pin on the rear panel AUX I/O connector. POSitive refers to normal logic, while NEGative refers to inverted logic.

***RST** POS

Key Entry Symbol Sync Out Polarity Neg Pos

Remarks This command performs the same function as [“:OUTPut:SPOLarity” on page 135](#).

:OUTPut:CPOLarity

Supported E4438C with Option 001/601 or 002/602

:ROUTE:HARDware:DGENERator:OUTPut:CPOLarity POSitive|NEGative

:ROUTE:HARDware:DGENERator:OUTPut:CPOLarity?

This command configures the polarity of the TTL output DATA CLOCK OUT signal at the DATA CLK OUT pin on the rear panel AUX I/O connector. POSitive refers to normal logic, while NEGative refers to inverted logic.

***RST** POS

Key Entry Data Clock Polarity Neg Pos

Remarks This command performs the same function as [“:OPOLarity:CLOCK” on page 133](#).

:OUTPut:DCS[:STATe]

Supported E4438C with Option 001/601 or 002/602

:ROUTe:HARDware:DGENERator:OUTPut:DCS[:STATe] ON|OFF|1|0

:ROUTe:HARDware:DGENERator:OUTPut:DCS[:STATe]?

This command is used to enable or disable the output DATA OUT, DATA CLK OUT, and SYM SYNC OUT signals from the rear panel AUX I/O connector. Normally, these output signals should be enabled (On). However, disabling these outputs will decrease the spurs that are sometimes present when operating at high symbol rates.

***RST** 1

Key Entry DATA/CLK/SYNC Rear Outputs Off On

:OUTPut:DPOLarity

Supported E4438C with Option 001/601 or 002/602

:ROUTe:HARDware:DGENERator:OUTPut:DPOLarity POSitive|NEGative

:ROUTe:HARDware:DGENERator:OUTPut:DPOLarity?

This command configures the polarity of the TTL output signal at the DATA OUT connector. POSitive refers to normal logic, while NEGative refers to inverted logic.

***RST** POS

Key Entry Data Out Polarity Neg Pos

Remarks This command performs the same function as “:OPOLarity:DATA” on page 133.

:OUTPut:SPOLarity

Supported E4438C with Option 001/601 or 002/602

:ROUTe:HARDware:DGENERator:OUTPut:SPOLarity POSitive|NEGative

:ROUTe:HARDware:DGENERator:OUTPut:SPOLarity?

This command configures the polarity of the TTL input signal at the SYMBOL SYNC connector. POSitive refers to normal logic, while NEGative refers to inverted logic.

***RST** POS

Key Entry Symbol Sync Out Polarity Neg Pos

Status Subsystem (:STATus)

:OPERation:BASEband:CONDition

Supported E4438C with Option 001/601 or 002/602

:STATus:OPERation:BASEband:CONDition?

This query returns the decimal sum of the bits in the Baseband Operation Condition Register. For example, if the baseband is busy (bit 0), the value 1 is returned.

Range 0–32767

Remarks The data in this register is continuously updated and reflects the current conditions.

Refer to Chapter 3 of the *E4428C/38C ESG Signal Generators Programming Guide* for more information.

:OPERation:BASEband:ENABLE

Supported E4438C with Option 001/601 or 002/602

:STATus:OPERation:BASEband:ENABLE <val>

:STATus:OPERation:BASEband:ENABLE?

This command determines which bits in the Baseband Operation Event Register will set the Baseband is Busy bit (bit 10) in the Standard Operation Condition Register.

The variable <num> is the sum of the decimal values of the bits you want to enable.

Range 0–32767

Remarks Refer to Chapter 3 of the *E4428C/38C ESG Signal Generators Programming Guide* for more information.

:OPERation:BASEband:NTRansition

Supported E4438C with Option 001/601 or 002/602

:STATus:OPERation:BASEband:NTRansition <val>

:STATus:OPERation:BASEband:NTRansition?

This command determines which bits in the Baseband Operation Condition Register will set the corresponding bit in the Baseband Operation Event Register when that bit has a negative transition (1 to 0).

The variable <val> is the sum of the decimal values of the bits that you want to enable.

Range 0–32767

Remarks Refer to Chapter 3 of the *E4428C/38C ESG Signal Generators Programming Guide* for more information.

:OPERation:BASEband:PTRansition

Supported E4438C with Option 001/601 or 002/602

:STATus:OPERation:BASEband:PTRansition <val>

:STATus:OPERation:BASEband:PTRansition?

This command determines which bits in the Baseband Operation Condition Register will set the corresponding bit in the Baseband Operation Event Register when that bit has a positive transition (0 to 1).

The variable <val> is the sum of the decimal values of the bits that you want to enable.

Range 0–32767

Remarks Refer to Chapter 3 of the *E4428C/38C ESG Signal Generators Programming Guide* for more information.

:OPERation:BASeband[:EVENT]

Supported E4438C with Option 001/601 or 002/602

:STATus:OPERation:BASeband[:EVENT]?

CAUTION This is a destructive read. The data in the register is latched until it is queried. Once queried, the data is cleared.

This query returns the decimal sum of the bits in the Standard Operation Baseband Event Register.

Range 0–32767

Remarks The equivalent PTR and NTR filters must be set before the condition register can set the corresponding bit in the event register.

Refer to Chapter 3 of the *E4428C/38C ESG Signal Generators Programming Guide* for more information.

:OPERation:CONDition

Supported All

:STATus:OPERation:CONDition?

This query returns the decimal sum of the bits for the registers that are set to one and are part of the Standard Operation Status Group. For example, if a sweep is in progress (bit 3), the value 8 is returned.

Range 0–32767

Remarks The data in this register is continuously updated and reflects current conditions.

Refer to Chapter 3 of the *E4428C/38C ESG Signal Generators Programming Guide* for more information.

:OPERation:ENABLE

Supported All

:STATus:OPERation:ENABLE <val>

:STATus:OPERation:ENABLE?

This command determines which bits in the Standard Operation Event Register will set the Standard Operation Status Summary bit (bit 7) in the Status Byte Register.

The variable <val> is the sum of the decimal values of the bits that you want to enable.

Range 0–32767

Remarks Refer to Chapter 3 of the *E4428C/38C ESG Signal Generators Programming Guide* for more information.

:OPERation:NTRansition

Supported All

:STATus:OPERation:NTRansition <val>

:STATus:OPERation:NTRansition?

This command determines which bits in the Standard Operation Condition Register will set the corresponding bit in the Standard Operation Event Register when that bit has a negative transition (1 to 0).

The variable <val> is the sum of the decimal values of the bits that you want to enable.

Range 0–32767

Remarks Refer to Chapter 3 of the *E4428C/38C ESG Signal Generators Programming Guide* for more information.

:OPERation:PTRansition

Supported All

```
:STATus:OPERation:PTRansition <val>  
:STATus:OPERation:PTRansition?
```

This command determines which bits in the Standard Operation Condition Register will set the corresponding bit in the Standard Operation Event Register when that bit has a positive transition (0 to 1).

The variable <val> is the sum of the decimal values of the bits that you want to enable.

Range 0–32767

Remarks Refer to Chapter 3 of the *E4428C/38C ESG Signal Generators Programming Guide* for more information.

:OPERation[:EVENT]

Supported All

CAUTION This is a destructive read. The data in the register is latched until it is queried. Once queried, the data is cleared.

```
:STATus:OPERation[:EVENT]?
```

This query returns the decimal sum of the bits in the Standard Operation Event Register.

Range 0–32767

Remarks The equivalent PTR or NTR filters must be set before the condition register can set the corresponding bit in the event register.

Refer to Chapter 3 of the *E4428C/38C ESG Signal Generators Programming Guide* for more information.

:PRESet

Supported All

```
:STATus:PRESet
```

This command presets all transition filters, enable registers, and error/event queue enable registers.

Remarks Refer to Chapter 3 of the *E4428C/38C ESG Signal Generators Programming Guide* for more information.

:QUESTIONable:BERT:CONDition

Supported E4438C with Option UN7, 300 or both

:STATus:QUESTIONable:BERT:CONDition?

This query returns the decimal sum of the bits in the Data Questionable BERT Condition Register. For example, if no clock signal has been input for more than three seconds during the bit error rate measurement (bit 0), then a value of 1 is returned.

Range 0–32767

Remarks The data in this register is continuously updated and reflects the current conditions.

Refer to Chapter 3 of the *E4428C/38C ESG Signal Generators Programming Guide* for more information.

:QUESTIONable:BERT:ENABLE

Supported E4438C with Option UN7, 300 or both

:STATus:QUESTIONable:BERT:ENABLE <val>

:STATus:QUESTIONable:BERT:ENABLE?

This command determines which bits in the Data Questionable BERT Event Register will set the Data Questionable BERT Summary bit (bit 12) in the Data Questionable Condition Register.

The variable <val> is the sum of the decimal values of the bits you want to enable.

Range 0–32767

Remarks Refer to Chapter 3 of the *E4428C/38C ESG Signal Generators Programming Guide* for more information.

:QUESTionable:BERT:NTRansition

Supported E4438C with Option UN7, 300 or both

:STATus:QUESTionable:BERT:NTRansition <val>

:STATus:QUESTionable:BERT:NTRansition?

This command determines which bits in the Data Questionable BERT Condition Register will set the corresponding bit in the Data Questionable BERT Event Register when that bit has a negative transition (1 to 0).

The variable <val> is the sum of the decimal values of the bits that you want to enable.

Range 0–32767

Remarks The data in this register is continuously updated and reflects the current conditions.

Refer to Chapter 3 of the *E4428C/38C ESG Signal Generators Programming Guide* for more information.

:QUESTionable:BERT:PTRansition

Supported E4438C with Option UN7, 300 or both

:STATus:QUESTionable:BERT:PTRansition <val>

:STATus:QUESTionable:BERT:PTRansition?

This command determines which bits in the Data Questionable BERT Condition Register will set the corresponding bit in the Data Questionable BERT Event Register when that bit has a positive transition (0 to 1).

The variable <val> is the sum of the decimal values of the bits that you want to enable.

Range 0–32767

Remarks Refer to Chapter 3 of the *E4428C/38C ESG Signal Generators Programming Guide* for more information.

:QUESTIONable:BERT[:EVENT]

Supported E4438C with Option UN7, 300 or both

CAUTION This is a destructive read. The data in the register is latched until it is queried. Once queried, the data is cleared.

:STATUS:QUESTIONable:BERT[:EVENT]?

This command returns the decimal value of the sum of the bits in the Data Questionable BERT Event Register.

Range 0–32767

Remarks Note that the register requires that the equivalent PTR or NTR filters be set before a condition register bit can set a bit in the Event register.

Refer to Chapter 3 of the *E4428C/38C ESG Signal Generators Programming Guide* for more information.

:QUESTIONable:CALibration:CONDition

Supported All

:STATUS:QUESTIONable:CALibration:CONDition?

This query returns the decimal sum of the bits in the Data Questionable Calibration Condition Register. For example, if the DCFM or DCΦM zero calibration fails (bit 0), a value of 1 is returned.

Range 0–32767

Remarks The data in this register is continuously updated and reflects the current conditions.

Refer to Chapter 3 of the *E4428C/38C ESG Signal Generators Programming Guide* for more information.

:QUESTIONable:CALibration:ENABLE

Supported All

:STATUS:QUESTIONable:CALibration:ENABLE <val>

:STATUS:QUESTIONable:CALibration:ENABLE?

This command determines which bits in the Data Questionable Calibration Event Register will set the calibration summary bit (bit 8) in the Data Questionable Condition Register.

System Commands

Status Subsystem (:STATus)

The variable <val> is the sum of the decimal values of the bits that you want to enable.

Range 0–32767

Remarks Refer to Chapter 3 of the *E4428C/38C ESG Signal Generators Programming Guide* for more information.

:QUESTionable:CALibration:NTRansition

Supported All

```
:STATus:QUESTionable:CALibration:NTRansition <val>  
:STATus:QUESTionable:CALibration:NTRansition?
```

This command determines which bits in the Data Questionable Calibration Condition Register will set the corresponding bit in the Data Questionable Calibration Event Register when that bit has a negative transition (1 to 0).

The variable <val> is the sum of the decimal values of the bits that you want to enable.

Range 0–32767

Remarks Refer to Chapter 3 of the *E4428C/38C ESG Signal Generators Programming Guide* for more information.

:QUESTionable:CALibration:PTRansition

Supported All

```
:STATus:QUESTionable:CALibration:PTRansition <val>  
:STATus:QUESTionable:CALibration:PTRansition?
```

This command determines which bits in the Data Questionable Calibration Condition Register will set the corresponding bit in the Data Questionable Calibration Event Register when that bit has a positive transition (0 to 1).

The variable <val> is the sum of the decimal values of the bits that you want to enable.

Range 0–32767

Remarks Refer to Chapter 3 of the *E4428C/38C ESG Signal Generators Programming Guide* for more information.

:QUESTIONable:CALibration[:EVENT]

Supported All

CAUTION This is a destructive read. The data in the register is latched until it is queried. Once queried, the data is cleared.

:STATus:QUESTionable:CALibration[:EVENT]?

This command returns the decimal sum of the bits in the Data Questionable Calibration Event Register.

Range 0–32767

Remarks The equivalent PTR or NTR filters must be set before the condition register can set the corresponding bit in the event register.

Refer to Chapter 3 of the *E4428C/38C ESG Signal Generators Programming Guide* for more information.

:QUESTIONable:CONDition

Supported All

:STATus:QUESTionable:CONDition?

This query returns the decimal sum of the bits in the Data Questionable Condition Register. For example, if the reference oscillator oven is cold (bit 4), a value of 16 is returned.

Range 0–32767

Remarks The data in this register is continuously updated and reflects current conditions.

Refer to Chapter 3 of the *E4428C/38C ESG Signal Generators Programming Guide* for more information.

:QUESTionable:ENABle

Supported All

```
:STATus:QUESTionable:ENABle <val>  
:STATus:QUESTionable:ENABle?
```

This command determines which bits in the Data Questionable Event Register will set the Data Questionable Status Group Summary bit (bit 3) in the Status Byte Register.

The variable <val> is the sum of the decimal values of the bits that you want to enable.

Range 0–32767

Remarks Refer to Chapter 3 of the *E4428C/38C ESG Signal Generators Programming Guide* for more information.

:QUESTionable:FREQuency:CONDition

Supported All

```
:STATus:QUESTionable:FREQuency:CONDition?
```

This query returns the decimal sum of the bits in the Data Questionable Frequency Condition Register. For example, if the 1 GHz internal reference clock is unlocked (bit 2), a value of 4 is returned.

Range 0–32767

Remarks The data in this register is continuously updated and reflects current conditions.
Refer to Chapter 3 of the *E4428C/38C ESG Signal Generators Programming Guide* for more information.

:QUESTionable:FREQuency:ENABle

Supported All

```
:STATus:QUESTionable:FREQuency:ENABle <val>  
:STATus:QUESTionable:FREQuency:ENABle?
```

This command determines which bits in the Data Questionable Frequency Event Register will set the frequency summary bit (bit 5) in the Data Questionable Condition Register.

The variable <val> is the sum of the decimal values of the bits that you want to enable.

Range 0–32767

Remarks Refer to Chapter 3 of the *E4428C/38C ESG Signal Generators Programming Guide* for more information.

:QUESTionable:FREQuency:NTRansition

Supported All

```
:STATUS:QUESTionable:FREQuency:NTRansition <val>
:STATUS:QUESTionable:FREQuency:NTRansition?
```

This command determines which bits in the Data Questionable Frequency Condition Register will set the corresponding bit in the Data Questionable Frequency Event Register when that bit has a negative transition (1 to 0).

The variable <val> is the sum of the decimal values of the bits that you want to enable.

Range 0–32767

Remarks Refer to Chapter 3 of the *E4428C/38C ESG Signal Generators Programming Guide* for more information.

:QUESTionable:FREQuency:PTRansition

Supported All

```
:STATUS:QUESTionable:FREQuency:PTRansition <val>
:STATUS:QUESTionable:FREQuency:PTRansition?
```

This command determines which bits in the Data Questionable Frequency Condition Register will set the corresponding bit in the Data Questionable Frequency Event Register when that bit has a positive transition (0 to 1).

The variable <val> is the sum of the decimal values of the bits that you want to enable.

Range 0–32767

Remarks Refer to Chapter 3 of the *E4428C/38C ESG Signal Generators Programming Guide* for more information.

:QUESTionable:FREQuency[:EVENT]

Supported All

CAUTION This is a destructive read. The data in the register is latched until it is queried. Once queried, the data is cleared.

```
:STATUS:QUESTionable:FREQuency[:EVENT]?
```

This query returns the decimal sum of the bits in the Data Questionable Frequency Event Register.

Range 0–32767

Remarks The equivalent PTR or NTR filters must be set before the condition register can set the corresponding bit in the event register.

Refer to Chapter 3 of the *E4428C/38C ESG Signal Generators Programming Guide* for more information.

:QUESTIONable:MODulation:CONDition

Supported All

:STATus:QUESTIONable:MODulation:CONDition?

This command returns the decimal sum of the bits in the Data Questionable Modulation Condition Register. For example, if the modulation is uncalibrated (bit 4), a value of 16 is returned.

Range 0–32767

Remarks The data in this register is continuously updated and reflects current conditions.

Refer to Chapter 3 of the *E4428C/38C ESG Signal Generators Programming Guide* for more information.

:QUESTIONable:MODulation:ENABLE

Supported All

:STATus:QUESTIONable:MODulation:ENABLE <val>

:STATus:QUESTIONable:MODulation:ENABLE?

This command determines which bits in the Data Questionable Modulation Event Register will set the modulation summary bit (bit 7) in the Data Questionable Condition Register.

The variable <val> is the sum of the decimal values of the bits that you want to enable.

Range 0–32767

Remarks Refer to Chapter 3 of the *E4428C/38C ESG Signal Generators Programming Guide* for more information.

:QUESTionable:MODulation:NTRansition

Supported All

```
:STATUS:QUESTionable:MODulation:NTRansition <val>
:STATUS:QUESTionable:MODulation:NTRansition?
```

This command determines which bits in the Data Questionable Modulation Condition Register will set the corresponding bit in the Data Questionable Modulation Event Register when that bit has a negative transition (1 to 0).

The variable <val> is the sum of the decimal values of the bits that you want to enable.

Range 0–32767

Remarks Refer to Chapter 3 of the *E4428C/38C ESG Signal Generators Programming Guide* for more information.

:QUESTionable:MODulation:PTRansition

Supported All

```
:STATUS:QUESTionable:MODulation:PTRansition <val>
:STATUS:QUESTionable:MODulation:PTRansition?
```

This command determines which bits in the Data Questionable Modulation Condition Register will set the corresponding bit in the Data Questionable Modulation Event Register when that bit has a positive transition (0 to 1).

The variable <val> is the sum of the decimal values of the bits that you want to enable.

Range 0–32767

Remarks Refer to Chapter 3 of the *E4428C/38C ESG Signal Generators Programming Guide* for more information.

:QUESTionable:MODulation[:EVENT]

Supported All

CAUTION This is a destructive read. The data in the register is latched until it is queried. Once queried, the data is cleared.

```
:STATUS:QUESTionable:MODulation[:EVENT]?
```

This query returns the decimal sum of the bits in the Data Questionable Modulation Event Register.

Range 0–32767

Status Subsystem (:STATus)

Remarks The equivalent PTR or NTR filters must be set before the condition register can set the corresponding bit in the event register.

Refer to Chapter 3 of the *E4428C/38C ESG Signal Generators Programming Guide* for more information.

:QUESTionable:NTRansition

Supported All

:STATus:QUESTionable:NTRansition <val>
:STATus:QUESTionable:NTRansition?

This command determines which bits in the Data Questionable Condition Register will set the corresponding bit in the Data Questionable Event Register when that bit has a negative transition (1 to 0).

The variable <val> is the sum of the decimal values of the bits that you want to enable.

Range 0–32767

Remarks Refer to Chapter 3 of the *E4428C/38C ESG Signal Generators Programming Guide* for more information.

:QUESTionable:POWer:CONDition

Supported All

:STATus:QUESTionable:POWer:CONDition?

This query returns the decimal sum of the bits in the Data Questionable Power Condition Register. For example, if the RF output signal is unlevelled (bit 1), a value of 2 is returned.

Range 0–32767

Remarks The data in this register is continuously updated and reflects current conditions.

Refer to Chapter 3 of the *E4428C/38C ESG Signal Generators Programming Guide* for more information.

:QUESTIONable:POWER:ENABLE

Supported All

```
:STATUS:QUESTIONable:POWER:ENABLE <val>  
:STATUS:QUESTIONable:POWER:ENABLE?
```

This command determines which bits in the Data Questionable Power Event Register will set the power summary bit (bit 3) in the Data Questionable Condition Register.

The variable <val> is the sum of the decimal values of the bits that you want to enable.

Range 0–32767

Remarks Refer to Chapter 3 of the *E4428C/38C ESG Signal Generators Programming Guide* for more information.

:QUESTIONable:POWER:NTRansition

Supported All

```
:STATUS:QUESTIONable:POWER:NTRansition <val>  
:STATUS:QUESTIONable:POWER:NTRansition?
```

This command determines which bits in the Data Questionable Power Condition Register will set the corresponding bit in the Data Questionable Power Event Register when that bit has a negative transition (1 to 0).

The variable <val> is the sum of the decimal values of the bits that you want to enable.

Range 0–32767

Remarks Refer to Chapter 3 of the *E4428C/38C ESG Signal Generators Programming Guide* for more information.

:QUESTIONable:POWER:PTRansition

Supported All

```
:STATUS:QUESTIONable:POWER:PTRansition <val>  
:STATUS:QUESTIONable:POWER:PTRansition?
```

This command determines which bits in the Data Questionable Power Condition Register will set the corresponding bit in the Data Questionable Power Event Register when that bit has a positive transition (0 to 1).

The variable <val> is the sum of the decimal values of the bits that you want to enable.

Range 0–32767

Remarks Refer to Chapter 3 of the *E4428C/38C ESG Signal Generators Programming Guide* for more information.

:QUESTionable:POWer[:EVENT]

Supported All

CAUTION This is a destructive read. The data in the register is latched until it is queried. Once queried, the data is cleared.

:STATus:QUESTionable:POWer[:EVENT]?

This query returns the decimal sum of the bits in the Data Questionable Power Event Register.

Range 0–32767

Remarks The equivalent PTR or NTR filters must be set before the condition register can set the corresponding bit in the event register.

Refer to Chapter 3 of the *E4428C/38C ESG Signal Generators Programming Guide* for more information.

:QUESTionable:PTRansition

Supported All

:STATus:QUESTionable:PTRansition <val>

:STATus:QUESTionable:PTRansition?

This command determines which bits in the Data Questionable Condition Register will set the corresponding bit in the Data Questionable Event Register when that bit has a positive transition (0 to 1).

The variable <val> is the sum of the decimal values of the bits that you want to enable.

Range 0–32767

Remarks Refer to Chapter 3 of the *E4428C/38C ESG Signal Generators Programming Guide* for more information.

:QUEStionable[:EVENT]

Supported All

CAUTION This is a destructive read. The data in the register is latched until it is queried. Once queried, the data is cleared.

:STATus:QUEStionable[:EVENT]?

This query returns the decimal sum of the bits in the Data Questionable Event Register.

Range 0–32767

Remarks The equivalent PTR or NTR filters must be set before the condition register can set the corresponding bit in the event register.

Refer to Chapter 3 of the *E4428C/38C ESG Signal Generators Programming Guide* for more information.

System Subsystem (:SYSTem)

:CAPability

Supported All

:SYSTem:CAPability?

This query returns the signal generator's capabilities and outputs the appropriate specifiers:

```
(RFSOURCE WITH( (AM|FM|PULM|PM|LFO)&(FSSWEEP|FLIST)&(PSSWEEP|PLIST)
&TRIGGER&REFERENCE))
```

This is a list of the SCPI-defined basic functionality of the signal generator and the additional capabilities it has in parallel (a&b) and singularly (a|b).

:DATE

Supported All

:SYSTem:DATE <year>, <month>, <day>

:SYSTem:DATE?

This command sets the date as shown in the lower right area of the signal generator display.

<year> This variable requires a four digit integer.

The query returns the date in the following format:

```
<+year>, <+month>, <+day>
```

Range <month>: 1–12 <day>: 1–31

Key Entry Time/Date

:ERRor[:NEXT]

Supported All

:SYSTem:ERRor[:NEXT]?

This query returns the most recent error message from the signal generator error queue. If there are no error messages, the query returns the following output:

```
+0, "No error"
```

When there is more than one error message, the query will need to be sent for each message.

Key Entry **Error Info** **View Next Error Message**

Remarks The ESG deletes the error messages after viewing the last message.

:ERRor:SCPI[:SYNTax]

Supported All

:SYSTem:ERRor:SCPI[:SYNTax] ON|OFF|1|0

:SYSTem:ERRor:SCPI[:SYNTax]?

This command enables or disables the reporting of SCPI syntax errors to the error queue. The query returns only the numeric value of 1 or 0.

***RST** 0

Remarks The setting ON/1 is persistent through preset and *RST. This setting will not survive a power cycle.

:FILEsystem:SAFEmode

Supported All

:SYSTem:FILEsystem:SAFEmode ON|OFF|1|0

:SYSTem:FILEsystem:SAFEmode?

This command selects the safe mode for file handling. When safe mode is set to OFF, volatile waveform files can be edited and saved while the signal generator plays the file without signal interruption. However, it is possible with complex waveforms, for corruption of memory to occur which will be reported as an error on the front-panel display and require a reboot of the signal generator to resolve.

Example

```
:SYST:FILE:SAVE ON
```

The preceding example enables the safe mode setting and waveform files cannot be edited without

System Commands

System Subsystem (:SYSTem)

signal disruption while the signal generator plays them.

***RST** On

:HELP:MODE

Supported All

:SYSTem:HELP:MODE SINGle|CONTInuous

:SYSTem:HELP:MODE?

This command sets the help function mode of the signal generator.

SINGle Help is provided only for the next key that you press.

CONTInuous Help is provided for each key you press. In addition, the function of the key is executed.

When the help dialog box is displayed, pressing the **Help** hardkey in either mode will turn help off.

Key Entry **Help Mode Single Cont**

Remarks The setting enabled by this command is not affected by signal generator power-on, preset, or *RST.

:IDN

Supported All

:SYSTem:IDN "<string>"

This command modifies the identification string that the *IDN? query returns. Sending an empty string returns the query output of *IDN? to its factory shipped setting. The maximum string length is 72 characters.

Remarks Modification of the *IDN? query output enables the signal generator to identify itself as another signal generator when used as a replacement.

The display diagnostic information, shown by pressing the **Diagnostic Info** softkey, is not affected by this command.

:LANGuage

Supported All

:SYSTem:LANGuage "SCPI"|"COMP"|"NADC"|"PDC"|"PHS"|"8648"

:SYSTem:LANGuage?

This command sets the remote language for the signal generator.

SCPI	This choice provides compatibility for SCPI commands.
COMP	This choice provides compatibility for the 8656B, 8657A/B signal generator which is supported by using the GPIB interface.
NADC	This choice provides compatibility for the 8657D NADC personality which is supported only through a GPIB interface (E4438C only).
PDC	This choice provides compatibility for the 8657D PDC personality which is supported only through a GPIB interface (E4438C only).
PHS	This choice provides compatibility for the 8657J PHS personality which is supported only through a GPIB interface (E4438C only).
8648	This choice provides compatibility for the 8648A/B/C/D signal generator which is supported only through a GPIB interface.
Key Entry	SCPI 8656B,8657A/B 8657D NADC 8657D PDC 8657J PHS 8648A/B/C/D
Remarks	The setting enabled by this command is not affected by signal generator power-on, preset, or *RST. For more information on supported SCPI commands and programming codes, refer to the <i>Programming Compatibility Guide</i> .

:OPT

Supported All

:SYSTEM:OPT "<string>"

This command modifies the option string that the *OPT? query returns. Sending an empty string sets the query output of *OPT? to the signal generator's factory shipped setting. The maximum string length is 72 characters.

Remarks Modification of the *OPT? query output enables the signal generator, with a set of options, to *identify* itself as another signal generator when used as a replacement

The display diagnostic information, shown by pressing the **Diagnostic Info** softkey, is not affected by this command.

:PON:TYPE

Supported All

:SYSTEM:PON:TYPE PRESet | LAST

:SYSTEM:PON:TYPE?

System Commands

System Subsystem (:SYSTEM)

This command sets the defined conditions for the signal generator at power on.

PRESet	This choice sets the conditions to factory- or user-defined as determined by the choice for the preset type. Refer to “:PRESet:TYPE” on page 160 for selecting the type of preset.
LAST	This choice retains the settings at the time the signal generator was last powered down.

NOTE When LAST is selected, no signal generator interaction can occur for at least 3 seconds prior to cycling the power for the current settings to be saved.

Key Entry Power On Last Preset

Remarks The setting enabled by this command is not affected by signal generator power-on, preset, or *RST.

:PRESet

Supported All

SYSTem:PRESet

This command returns the signal generator to a set of defined conditions. It is equivalent to pressing the front panel **Preset** hardkey.

Key Entry Preset

Remarks The defined conditions are either factory- or user-defined. Refer to “:PRESet:TYPE” on page 160 for selecting the type of defined conditions.

:PRESet:ALL

Supported All

:SYSTem:PRESet:ALL

This command sets all states of the signal generator back to their factory default settings, including states that are not normally affected by signal generator power-on, preset, or *RST.

:PRESet:LANGUage

Supported All

:SYSTem:PRESet:LANGUage"SCPI" | "COMP" | "NADC" | "PDC" | "PHS" | "8648"
:SYSTem:PRESet:LANGUage?

This command sets the remote language that is available when the signal generator is preset.

SCPI	This choice provides compatibility for SCPI commands.				
COMP	This choice provides compatibility for the 8656B, 8657A/B signal generator which is supported by using the GPIB interface.				
NADC	This choice provides compatibility for the 8657D NADC personality which is supported only through a GPIB interface (E4438C only).				
PDC	This choice provides compatibility for the 8657D PDC personality which is supported only through a GPIB interface (E4438C only).				
PHS	This choice provides compatibility for the 8657J PHS personality which is supported only through a GPIB interface (E4438C only).				
8648	This choice provides compatibility for the 8648A/B/C/D signal generator which is supported only through a GPIB interface.				
*RST	"SCPI"				
Key Entry	SCPI	8656B,8657A/B	8657D NADC	8657D PDC	8657J PHS
	8648A/B/C/D				

:PRESet:PERSistent

Supported All

:SYSTem:PRESet:PERSistent

This command sets the states that are not affected by signal generator power-on, preset, or *RST to their factory default settings.

Key Entry Restore Sys Defaults

:PRESet:PN9

Supported E4438C Option with Option 001/601 or 002/602

:SYSTem:PRESet:PN9 NORMal|QUICK

:SYSTem:PRESet:PN9?

This command sets the preset length of the PN9 sequence for personalities that require software PRBS generation.

NORMal This choice produces a maximal length PN9 sequence.

QUICK This choice produces a truncated (216 bits) PN9 sequence.

***RST** NORM

Key Entry PN9 Mode Preset

:PRESet:TYPE

Supported All

:SYSTem:PRESet:TYPE NORMAL | USER

:SYSTem:PRESet:TYPE?

This command toggles the preset state between factory- and user-defined conditions.

Key Entry Preset Normal User

Remarks Refer to “:PRESet[:USER]:SAVE” for saving the USER choice preset settings.

The setting enabled by this command is not affected by signal generator power-on, preset, or *RST.

:PRESet[:USER]:SAVE

Supported All

:SYSTem:PRESet[:USER]:SAVE

This command saves your user-defined preset conditions to a state file.

Key Entry Save User Preset

Remarks Only one user-defined preset file can be saved. Subsequent saved user-defined preset files will overwrite the previously saved file.

:SECurity:DISPlay

Supported All Models

:SYSTem:SECurity:DISPlay ON | OFF | 1 | 0

:SYSTem:SECurity:DISPlay?

This command enables or disables the secure display mode.

On(1) This selection turns the signal generator display back on, showing the current settings. Cycling the signal generator power also restores the display, however the current settings may change depending on the power-on configuration choice. See “:PON:TYPE” on page 157 for information on the power-on choices available.

OFF(0) This selection blanks the signal generator’s display, hiding the settings and disabling the front panel keys. While in this mode, the display shows
*** SECURE DISPLAY ACTIVATED ***.

For more information about security functions, refer to the *E4428C/38C ESG Signal Generators User’s Guide*.

Example

```
:SYST:SEC:DISP OFF
```

The preceding example enables the secure display mode.

```
*RST          1
Range         N/A
Key Entry     Activate Security Display
```

:SECurity:ERASeall

Supported All Models

```
:SYSTem:SECurity:ERASall
```

This command removes all user files, flatness correction files, and baseband generator files. In addition, all table editor files are returned to their original factory values.

This command differs from the :DELeTe:ALL command, which does not reset table editors to factory values. For more information about security functions, refer to the *E4428C/38C ESG Signal Generators User's Guide*.

Key Entry **Erase All**

:SECurity:LEVel

Supported All Models

```
:SYSTem:SECurity:LEVel NONE | ERASe | OVERwrite | SANitize
:SYSTem:SECurity:LEVel?
```

This command selects the security level operation for the signal generator.

NONE	This selection causes the signal generator to reset to factory default settings.
ERASe	This selection removes all user files, table editor files, flatness correction files, and baseband generator files.
OVERwrite	This selection removes all user files, table editor files, flatness correction files, and baseband generator files. The memory is then overwritten with random data.
SRAM	All addressable locations will be overwritten with random characters.
Hard Disk	All addressable locations will be overwritten with random characters.
Flash Memory	The flash blocks will be erased.

SANitize This selection removes all user files, table editor files, flatness correction files, and baseband generator files using the same techniques as the **OVERwrite** selection for SRAM and flash memory. For the hard disk, the signal generator overwrites all addressable locations with a single character, its complement, and then with a random character.

Once you select the security level, you must execute the command from “:SECurity:LEVel:STATe” to arm the security level.

NOTE Once you select a security level and arm it, you cannot change the level.

For other cleaning and security operation descriptions, see “:SECurity:ERASeall” on page 161, “:SECurity:OVERwrite” on page 163, and “:SECurity:SANitize” on page 163. For more information about security functions, refer to the *E4428C/38C ESG Signal Generators User’s Guide*.

Example

```
:SYST:SEC:LEV NONE
```

The preceding example sets the secure mode so it resets the signal generator to factory settings after completing the security operation.

Key Entry None Erase Overwrite Sanitize

:SECurity:LEVel:STATe

Supported All Models

CAUTION Ensure that you select the security level prior to executing this command with the **ON (1)** selection. Once you enable the state, you cannot reduce the security level.

```
:SYSTem:SECurity:LEVel:STATe ON|OFF|1|0  
:SYSTem:SECurity:LEVel:STATe?
```

This command arms and executes the current security level parameter.

On (1) This selection arms and prevents any changes to the current security level. Refer to “:SECurity:LEVel” on page 161 for setting the security level.

OFF (0) This selection performs the actions required for the current security level setting. Cycling the signal generator power also performs the same function.

For more information about security functions, refer to the *E4428C/38C ESG Signal Generators User’s Guide*.

Example

```
:SYST:SEC:LEV:STAT ON
```

The preceding example arms the secure mode selected with the SYSTem:SECurity:LEVel command.

Key Entry **Enter Secure Mode**

:SECurity:OVERwrite

Supported All Models

```
:SYSTem:SECurity:OVERwrite
```

This command removes all user files, table editor files values, flatness correction files, and baseband generator files. The memory is then overwritten with random data as described below. For more information about security functions, refer to the *E4428C/38C ESG Signal Generators User's Guide*.

SRAM All addressable locations will be overwritten with random characters.

HARD DISK All addressable locations will be overwritten with random characters.

FLASH MEMORY The flash blocks will be erased.

Key Entry **Erase and Overwrite All**

:SECurity:SANitize

Supported All Models

```
:SYSTem:SECurity:SANitize
```

This command removes all user files, table editor files values, flatness correction files, and baseband generator files. The memory is then overwritten with a sequence of data as described below. For more information about security functions, refer to the *E4428C/38C ESG Signal Generators User's Guide*.

SRAM All addressable locations will be overwritten with random characters.

HARD DISK All addressable locations will be overwritten with a single character and then a random character.

FLASH MEMORY The flash blocks will be erased.

Key Entry **Erase and Sanitize All**

:SSAVer:DELay

Supported All

```
:SYSTem:SSAVer:DELay <val>  
:SYSTem:SSAVer:DELay?
```

This command sets the amount of time before the display light or display light and text is switched off. This will occur if there is no input via the front panel during the delay period.

The variable <val> is a whole number measured in hours.

Range 1–12

Key Entry Screen Saver Delay:

Remarks The setting enabled by this command is not affected by signal generator power-on, preset, or *RST.

Refer to “:SSAVer:MODE” on page 164 for selecting the screen saver mode.

:SSAVer:MODE

Supported All

:SYSTem:SSAVer:MODE LIGHT|TEXT

:SYSTem:SSAVer:MODE?

This command toggles the screen saver mode between light only or light and text.

LIGHT This choice enables only the light to turn off during the screen saver operation while leaving the text visible on the darkened screen.

TEXT This choice enables both the display light and text to turn off during the screen saver operation.

Key Entry Screen Saver Mode

Remarks The setting enabled by this command is not affected by signal generator power-on, preset, or *RST.

:SSAVer:STATe

Supported All

:SYSTem:SSAVer:STATe ON|OFF|1|0

:SYSTem:SSAVer:STATe?

This command enables or disables the display screen saver.

Key Entry Screen Saver Off On

Remarks The setting enabled by this command is not affected by signal generator power-on, preset, or *RST.

:TIME

Supported All

:SYSTem:TIME <hour>, <minute>, <second>

:SYSTem:TIME?

This command sets the time displayed in the lower right area of the signal generator's display.

Range <hour>: 0–23 <minute>: 0–59 <second>: 0–59

Key Entry Time/Date

:VERSion

Supported All

:SYSTem:VERSion?

This command returns the SCPI version number with which the signal generator complies.

Trigger Subsystem

:ABORt

Supported All

:ABORt

This command causes the List or Step sweep in progress to abort. If INIT:CONT[:ALL] is set to ON, the sweep will immediately re-initiate. The pending operation flag affecting *OPC, *OPC?, and *WAI will undergo a transition once the sweep has been reset.

:INITiate:CONTinuous[:ALL]

Supported All

:INITiate:CONTinuous[:ALL] ON|OFF|1|0

:INITiate:CONTinuous[:ALL]?

This command selects either a continuous or single list or step sweep. Execution of this command does not affect a sweep in progress.

ON (1) This choice selects continuous sweep where, after the completion of the previous sweep, the current sweep will restart automatically or wait until the appropriate trigger source is received.

OFF (0) This choice selects a single sweep. Refer to “:INITiate:IMMEDIATE[:ALL]” on [page 167](#) for single sweep triggering information.

*RST 0

Key Entry Sweep Repeat Single Cont

Remarks Execution of this command will not affect a sweep in progress.

:INITiate[:IMMediate][:ALL]

Supported All

```
:INITiate[:IMMediate][:ALL]
```

This command either sets or sets and starts a single List or Step sweep, depending on the trigger type. The command performs the following:

- arms a single sweep when BUS, EXTERNAL, or KEY is the trigger source selection
- arms and starts a single sweep when IMMEDIATE is the trigger source selection

This command is ignored if a sweep is in progress. See “:INITiate:CONTinuous[:ALL]” on page 166 for setting continuous or single sweep. See “:TRIGger[:SEQuence]:SOURce” on page 168 to select the trigger source.

In some atypical cases, the :INIT command could be ignored if it immediately follows an *OPC? command. If the :INIT command is ignored, then use a 10ms sleep function before sending the command.

Key Entry Single Sweep

:TRIGger:OUTPut:POLarity

Supported All

```
:TRIGger:OUTPut:POLarity POSitive|NEGative
```

```
:TRIGger:OUTPut:POLarity?
```

Sets the TTL signal level present at the TRIGGER OUT connector to either high (5 vdc) or low (0 vdc). The trigger out is asserted after the frequency and/or power is set while the sweep is waiting for its step trigger. In addition, the swept-sine sends a pulse to the TRIGGER OUT at the beginning of each sweep.

Example

```
:TRIG:OUTP:POL NEG
```

The preceding example enables the continuous mode as the sweep type.

***RST** POS

Key Entry Trigger Out Polarity Neg Pos

:TRIGger[:SEQuence]:SLOPe

Supported All

:TRIGger[:SEQuence]:SLOPe POSitive|NEGative

:TRIGger[:SEQuence]:SLOPe?

This command sets the polarity of the ramp or sawtooth waveform slope present at the TRIG IN connector that will trigger a list or step sweep.

***RST** POS

Key Entry Trigger In Polarity Neg Pos

:TRIGger[:SEQuence]:SOURce

Supported All

:TRIGger[:SEQuence]:SOURce BUS|IMMediate|EXTernal|KEY

:TRIGger[:SEQuence]:SOURce?

This command sets the sweep trigger source for a list or step sweep.

BUS This choice enables GPIB triggering using the *TRG or GET command or LAN and RS-232 triggering using the *TRG command.

IMMediate This choice enables immediate triggering of the sweep event.

EXTernal This choice enables the triggering of a sweep event by an externally applied signal at the TRIG IN connector.

KEY This choice enables triggering through front panel interaction by pressing the **Trigger** hardkey.

***RST** IMM

Remarks The wait for the BUS, EXTernal, or KEY trigger can be bypassed by sending the :TRIGger[:SEQuence][:IMMediate] command.

Example

```
:TRIG:SOUR BUS
```

The preceding example sets the sweep trigger source to BUS.

***RST** IMM

Key Entry Bus Free Run Ext Trigger Key

:TRIGger[:SEQuence][:IMMediate]

Supported All Models

`:TRIGger[:SEQuence][:IMMediate]`

This event command causes an armed List or Step sweep to immediately start without the selected trigger occurring.

In some atypical cases, the `:TRIG` command could be ignored if it immediately follows an `*OPC?` command. If the `:TRIG` command is ignored, then use a 10ms sleep function before sending the command.

Unit Subsystem (:UNIT)

:POWer

Supported All

:UNIT:POWer DBM|DBuV|DBuVemf|V|Vemf|DB

:UNIT:POWer?

This command terminates an amplitude value in the selected unit of measure.

If the amplitude reference state is set to on, the query returns units expressed in DB and the DB choice will be displayed. Setting any other unit will cause a setting conflict error stating that the amplitude reference state must be set to off. Refer to, “[:REFerence:STATe](#)” on page 67 for more information.

***RST** DBM

Key Entry dBm dBuV dBuVemf mV uV mVemf uVemf DB

Remarks All power values in this chapter are shown with DBM as the unit of measure. If a different unit of measure is selected, replace DBM with the newly selected unit whenever it is indicated for the value.

4 Analog Commands

This chapter provides SCPI descriptions for subsystems dedicated to analog commands common to all ESG signal generator models. This chapter contains the following major sections:

- “Amplitude Modulation Subsystem ([:SOURce])” on page 172
- “Frequency Modulation Subsystem ([:SOURce])” on page 179
- “Low Frequency Output Subsystem ([:SOURce]:LFOutput)” on page 186
- “Phase Modulation Subsystem ([:SOURce])” on page 191
- “Pulse Modulation Subsystem ([:SOURce]:PULM)” on page 199

Amplitude Modulation Subsystem ([:SOURce])

:AM[1] | 2...

Supported All Models

[:SOURce] :AM [1] | 2 . . .

This prefix enables the selection of the AM path and is part of most SCPI commands associated with this subsystem. The two paths are equivalent to the **AM Path 1 2** softkey.

AM[1] **AM Path 1 2** with 1 selected

AM2 **AM Path 1 2** with 2 selected

When just AM is shown in a command, this means the command applies globally to both paths.

Each path is set up separately. When a SCPI command uses AM[1], only path one is affected. Consequently, when AM2 is selected, only path two is set up. However, the depth of the signals for the two paths can be coupled.

Depth coupling links the depth value of AM[1] to AM2. Changing the deviation value for one path will change it for the other path.

These two paths can be on at the same time provided the following conditions have been met:

- DUALsine or SWEPTSine is not the selection for the waveform type
- each path uses a different source (Internal 1, Ext1, or Ext2)

:AM:INTernal:FREQuency:STEP[:INCRement]

Supported All Models

[:SOURce] :AM :INTernal :FREQuency :STEP [:INCRement] <num>

[:SOURce] :AM :INTernal :FREQuency :STEP [:INCRement] ?

This command sets the step increment for the amplitude modulation internal frequency.

The variable <num> is expressed in units of Hertz.

Range 0.5–1E6

Key Entry Incr Set

Remarks The value set by this command is used with the UP and DOWN choices for the AM frequency setting. Refer to “:AM[1]|2:INTErnal[1]:FREQUency” on page 174 for more information.

 The setting enabled by this command is not affected by signal generator power-on, preset, or *RST.

:AM:WIDeband:STATe

Supported All Models

[:SOURce] :AM:WIDeband:STATe ON|OFF|1|0
 [:SOURce] :AM:WIDeband:STATe?

This command enables or disables the wideband amplitude modulation for the selected path.

***RST** 0

Key Entry **AM Off On**

Remarks The RF carrier is modulated when the modulation state of the signal generator is set to ON, see “:MODUlation[:STATe]” on page 129 for more information.

 Whenever amplitude modulation is enabled, the AM annunciator is turned on in the display

:AM[1]|2:EXTernal[1]|2:COUPling

Supported All Models

[:SOURce] :AM[1]|2:EXTernal[1]|2:COUPling AC|DC
 [:SOURce] :AM[1]|2:EXTernal[1]|2:COUPling?

This command sets the coupling for the amplitude modulation source through the selected external input connector.

AC This choice will only pass ac signal components.

DC This choice will pass both ac and dc signal components.

***RST** DC

Key Entry **Ext Coupling DC AC**

Remarks The command does not change the currently active source or switch the current modulation on or off. The modulating signal may be the sum of several signals, either internal or external sources.

:AM[1] | 2:INTernal[1]:FREQuency**Supported** All Models

```
[ :SOURce ] :AM[ 1 ] | 2 :INTernal[ 1 ] :FREQuency <val><unit> | UP | DOWN
[ :SOURce ] :AM[ 1 ] | 2 :INTernal[ 1 ] :FREQuency?
```

This command sets the internal amplitude modulation rate for the following applications:

- the first tone of a dual-sine waveform
- the start frequency for a swept-sine waveform
- the frequency rate for all other waveforms

***RST** +4.00000000E+002

Range Dual Sine, Swept-Sine & Sine: 0.1HZ–100kHZ
All Other Waveforms: 0.1HZ–20kHZ

Key Entry AM Tone 1 Rate AM Start Rate AM Rate

:AM[1] | 2:INTernal[1]:FREQuency:ALternate**Supported** All Models

```
[ :SOURce ] :AM[ 1 ] | 2 :INTernal[ 1 ] :FREQuency:ALternate <val><unit>
[ :SOURce ] :AM[ 1 ] | 2 :INTernal[ 1 ] :FREQuency:ALternate?
```

This command sets the frequency for the alternate signal.

***RST** +4.00000000E+002

Range Dual-Sine: 0.1HZ–100kHZ Swept-Sine: 0.1HZ–100kHZ

Key Entry AM Tone 2 Rate AM Stop Rate

Remarks The alternate signal frequency is the second tone of a dual-sine or the stop frequency of a swept-sine waveform.

Refer to “:AM[1]2:INTernal[1]:FUNctioN:SHAPE” on page 175 for the waveform selection.

:AM[1] | 2:INteRnal[1]:FREQuency:ALteRnate:AMPLitude:PERCent

Supported All Models

```
[ :SOURce ] :AM[1] | 2:INteRnal[1] :FREQuency:ALteRnate:AMPLitude:
PERCent <val><unit>
[ :SOURce ] :AM[1] | 2:INteRnal[1] :FREQuency:ALteRnate:AMPLitude:PERCent?
```

This command sets the amplitude of the second tone for a dual-sine waveform as a percentage of the total amplitude. For example, if the second tone makes up 30% of the total amplitude, then the first tone is 70% of the total amplitude.

***RST** +5.00000000E+001

Range 0–100PCT

Key Entry AM Tone 2 Ampl Percent Of Peak

Remarks Refer to “:AM[1]2:INteRnal[1]:FUNctIon:SHAPE” on page 175 for the waveform selection.

:AM[1] | 2:INteRnal[1]:FUNctIon:SHAPE

Supported All Models

```
[ :SOURce ] :AM[1] | 2:INteRnal[1] :FUNctIon:SHAPE SINE|TRIangle|SQUare|RAMP|
NOISe|DUALsine|SWEPTsine
[ :SOURce ] :AM[1] | 2:INteRnal[1] :FUNctIon:SHAPE?
```

This command sets the AM waveform type.

***RST** SINE

Key Entry Sine Triangle Square Ramp Noise Dual-Sine Swept-Sine

:AM[1] | 2:INteRnal[1]:SWEep:TIME

Supported All Models

```
[ :SOURce ] :AM[1] | 2:INteRnal[1] :SWEep:TIME <val><unit>
[ :SOURce ] :AM[1] | 2:INteRnal[1] :SWEep:TIME?
```

This command sets the sweep rate for the amplitude-modulated, swept-sine waveform.

***RST** +1.00000000E–001

Range 1mS–65.535S

Key Entry AM Sweep Time

:AM[1] | 2:INTernal[1]:SWEep:TRIGger**Supported** All Models

```
[ :SOURce ] :AM[ 1 ] | 2:INTernal[ 1 ] :SWEep:TRIGger BUS | IMMEDIATE | EXTernal | KEY
[ :SOURce ] :AM[ 1 ] | 2:INTernal[ 1 ] :SWEep:TRIGger?
```

This command sets the trigger source for the amplitude modulated swept-sine waveform.

BUS This choice enables GPIB triggering using the *TRG or GET command or LAN and RS-232 triggering using the *TRG command.

IMMEDIATE This choice enables immediate triggering of the sweep event.

EXTernal This choice enables the triggering of a sweep event by an externally applied signal at the TRIG IN connector.

KEY This choice enables triggering through front panel interaction by pressing the **Trigger** hardkey.

***RST** IMM

Key Entry Bus Free Run Ext Trigger Key

Remarks Refer to “:AM[1]2:INTernal[1]:FUNCTION:SHAPE” on page 175 for the waveform selection.

:AM[1] | 2:SOURce**Supported** All Models

```
[ :SOURce ] :AM[ 1 ] | 2:SOURce INT[ 1 ] | EXT[ 1 ] | EXT2
[ :SOURce ] :AM[ 1 ] | 2:SOURce?
```

This command sets the source to generate the amplitude modulation.

INT This choice selects the internal source to provide an ac-coupled signal.

EXT This choice selects the EXT 1 INPUT or the EXT 2 INPUT connector to provide an externally applied signal that can be ac- or dc-coupled.

***RST** INT

Key Entry Internal Ext1 Ext2

Remarks A 1.0 V_p input is required for calibrated AM depth settings.

The externally applied, ac-coupled input signal is tested for a voltage level and a display annunciator will report a high or low condition if that voltage is > ±3% of 1 V_p.

:AM[1] | 2:STATe

Supported All Models

[:SOURce] :AM[1] | 2 :STATe ON | OFF | 1 | 0

[:SOURce] :AM[1] | 2 :STATe?

This command enables or disables the amplitude modulation for the selected path.

***RST** 0

Key Entry **AM Off On**

Remarks The RF carrier is modulated when you have set the signal generator's modulation state to ON, see [“:MODulation\[:STATe\]” on page 129](#) for more information.

Whenever amplitude modulation is enabled, the AM annunciator is turned on in the display.

The two paths for amplitude modulation can be simultaneously enabled. Refer to [“:AM\[1\]2...” on page 172](#) for more information.

:AM[1] | 2[:DEPTH]

Supported All Models

[:SOURce] :AM[1] | 2 [:DEPT h] [:LINear] <val><unit> | UP | DOWN

[:SOURce] :AM[1] | 2 [:DEPT h] [:LINear]?

This commands sets the amplitude modulation depth in percent.

***RST** +1.00000000E-001

Range 0.00–100PCT

Key Entry **AM Depth**

Remarks The value of AM depth applies only to whichever AM path configuration (AM[1]2) you have currently selected. AM Depth is fixed for wideband AM.

When the depth values are coupled, a change made to one path is applied to both. Refer to [“:AM\[1\]2\[:DEPTH\]:TRACK” on page 178](#) for AM depth value coupling.

Refer to [“:AM\[:DEPTH\]:STEP\[:INCRement\]” on page 178](#) for setting the value associated with UP and DOWN choices.

:AM[1] | 2[:DEPTh]:TRACK**Supported** All Models

[:SOURce]:AM[1] | 2[:DEPTh][:LINear]:TRACK ON|OFF|1|0

[:SOURce]:AM[1] | 2[:DEPTh][:LINear]:TRACK?

This command enables or disables the coupling of the AM depth values between the paths (AM[1] and AM2).

ON (1) This choice will link the depth value of AM[1] with AM2; AM2 will assume the AM[1] depth value. For example, if AM[1] depth is set to 15% and AM2 is set to 11%, enabling the depth tracking will cause the AM2 depth value to change to 15%. This applies regardless of the path (AM[1] or AM2) selected in this command

OFF (0) This choice disables the coupling and both paths will have independent depth values.

RST** 0**Key Entry** AM Depth Couple Off On**Remarks** When the depth values are coupled, a change made to one path is applied both.**:AM[:DEPTh]:STEP[:INCRement]*Supported** All Models

[:SOURce]:AM[:DEPTh]:STEP[:INCRement] <val><unit>

[:SOURce]:AM[:DEPTh]:STEP[:INCRement]?

This command sets the AM depth step increment.

Range 0.1–100PCT**Key Entry** Incr Set

Remarks The value set by this command is used with the UP and DOWN choices for the AM depth setting. Refer to “:AM[1]2[:DEPTh]” on page 177 for more information.

The setting enabled by this command is not affected by signal generator power-on, preset, or *RST.

Frequency Modulation Subsystem ([:SOURce])

:FM[1] | 2...

Supported All Models

[[:SOURce]:FM[1] | 2...]

This prefix enables the selection of the FM path and is part of most SCPI commands associated with this subsystem. The two paths are equivalent to the **FM Path 1 2** softkey.

FM[1] **FM Path 1 2** with 1 selected

FM2 **FM Path 1 2** with 2 selected

When just FM is shown in a command, this means the command applies globally to both paths.

Each path is set up separately. When a SCPI command uses FM[1], only path one is affected. Consequently, when FM2 is selected, only path two is set up. However, the deviation of the signals for the two paths can be coupled.

Deviation coupling links the deviation value of FM[1] to FM2. Changing the deviation value for one path will change it for the other path.

These two paths can be on at the same time provided the following conditions have been met:

- DUALsine or SWEPTSine is not the selection for the waveform type
- each path uses a different source (Internal 1, Ext1, or Ext2)
- FM2 must be set to a deviation less than FM[1]

:FM:INTernal:FREQuency:STEP[:INCRement]**Supported** All Models

[:SOURce]:FM:INTernal:FREQuency:STEP[:INCRement] <num>

[:SOURce]:FM:INTernal:FREQuency:STEP[:INCRement]?

This command sets the step increment for the internal frequency modulation.

The variable <num> sets the entered value in units of Hertz.

***RST** +5.00000000E+002**Range** 0.5–1E6**Key Entry** Incr Set

Remarks The value set by this command is used with the UP and DOWN choices for the FM frequency setting. Refer to “:FM[1]2:INTernal[1]:FREQuency” on page 181 for more information.

The setting enabled by this command is not affected by signal generator power-on, preset, or *RST.

:FM[1] | 2:EXTernal[1] | 2:COUPLing**Supported** All Models

[:SOURce]:FM[1] | 2:EXTernal[1] | 2:COUPLing AC|DC

[:SOURce]:FM[1] | 2:EXTernal[1] | 2:COUPLing?

This command sets the coupling for the frequency modulation source through the selected external input connector.

AC This choice will only pass ac signal components.

DC This choice will pass both ac and dc signal components.

***RST** DC**Key Entry** Ext Coupling DC AC

Remarks The command does not change the currently active source or switch the current modulation on or off. The modulating signal may be the sum of several signals, either internal or external sources.

:FM[1] | 2:INTernal[1]:FREQuency

Supported All Models

[:SOURce] :FM[1] | 2 :INTernal[1] :FREQuency <val><unit> | UP | DOWN

[:SOURce] :FM[1] | 2 :INTernal[1] :FREQuency?

This command sets the internal frequency modulation rate for the following applications:

- the first tone of a dual-sine waveform
- the start frequency for a swept-sine waveform
- the frequency rate for all other waveforms

***RST** +4.00000000E+002

Range Dual-Sine: 0.1HZ–100KHZ Swept-Sine: 0.1HZ–100KHZ
 All Other Waveforms: 0.1HZ–20KHZ

Key Entry FM Tone 1 Rate FM Start Rate FM Rate

:FM[1] | 2:INTernal[1]:FREQuency:ALTErnate

Supported All Models

[:SOURce] :FM[1] | 2 :INTernal[1] :FREQuency:ALTErnate <val><unit>

[:SOURce] :FM[1] | 2 :INTernal[1] :FREQuency:ALTErnate?

This command sets the frequency for the alternate signal.

***RST** +4.00000000E+002

Range Dual-Sine: 0.5HZ–1MHZ Swept-Sine: 1HZ–1MHZ

Key Entry FM Tone 2 Rate FM Stop Rate

Remarks The alternate signal frequency is the second tone of a dual-sine or the stop frequency of a swept-sine waveform.

Refer to “:FM[1]2:INTernal[1]:FUNCTion:SHAPE” on page 182 for the waveform selection.

:FM[1] | 2:INTernal[1]:FREQuency:ALternate:AMPLitude:PERCent**Supported** All Models[:SOURce]:FM[1] | 2:INTernal[1]:FREQuency:ALternate:AMPLitude:
PERCent <val><unit>

[:SOURce]:FM[1] | 2:INTernal[1]:FREQuency:ALternate:AMPLitude:PERCent?

This command sets the amplitude of the second tone for a dual-sine waveform as a percentage of the total amplitude. For example, if the second tone makes up 30% of the total amplitude, then the first tone is 70% of the total amplitude.

RST** +1.00000000E+002**Range** 0–100PCT**Key Entry** FM Tone 2 Ampl Percent Of Peak**Remarks** Refer to “:FM[1]2:INTernal[1]:FUNction:SHAPE” for the waveform selection.**:FM[1] | 2:INTernal[1]:FUNction:SHAPE*Supported** All Models[:SOURce]:FM[1] | 2:INTernal[1]:FUNction:SHAPE SINE|TRIangle|SQUare|RAMP|
NOISe|DUALsine|SWEPTsine

[:SOURce]:FM[1] | 2:INTernal[1]:FUNction:SHAPE?

This command sets the FM waveform type.

***RST** SINE**Key Entry** Sine Triangle Square Ramp Noise Dual-Sine Swept-Sine**Remarks** The waveform selection is only valid when INT[1] is the source selection. Refer to “:FM[1]2:SOURce” on page 184 for type source selection.

:FM[1] | 2:INteRnal[1]:SWEep:TIME

Supported All Models

[:SOURce] :FM[1] | 2 : INteRnal [1] : SWEep : TIME <val><unit>

[:SOURce] :FM[1] | 2 : INteRnal [1] : SWEep : TIME?

This command sets the sweep time for the swept-sine waveform.

***RST** +1.00000000E-001

Range 1.0mS-65.535S

Key Entry **FM Sweep Time**

Remarks Refer to “:FM[1]|2:INteRnal[1]:FUNctIon:SHApe” on page 182 for the waveform selection.

:FM[1] | 2:INteRnal[1]:SWEep:TRIGger

Supported All Models

[:SOURce] :FM[1] | 2 : INteRnal [1] : SWEep : TRIGger BUS | IMMEDIATE | EXteRnal | KEY

[:SOURce] :FM[1] | 2 : INteRnal [1] : SWEep : TRIGger?

This command sets the trigger source for the frequency modulated swept-sine waveform.

BUS This choice enables GPIB triggering using the *TRG or GET command or LAN and RS-232 triggering using the *TRG command.

IMMEDIATE This choice enables immediate triggering of the sweep event.

EXteRnal This choice enables the triggering of a sweep event by an externally applied signal at the TRIG IN connector.

KEY This choice enables triggering through front panel interaction by pressing the **Trigger** hardkey.

***RST** IMM

Key Entry **Bus Free Run Ext Trigger Key**

Remarks Refer to “:FM[1]|2:INteRnal[1]:FUNctIon:SHApe” on page 182 for the waveform selection.

:FM[1] | 2:SOURce**Supported** All Models

[:SOURce]:FM[1] | 2:SOURce INT[1] | EXT1 | EXT2

[:SOURce]:FM[1] | 2:SOURce?

This command sets the source to generate the frequency modulation.

INT This choice selects the internal source to provide an ac-coupled signal.

EXT This choice selects the EXT 1 INPUT or the EXT 2 INPUT connector to provide an externally applied signal that can be ac- or dc-coupled.

***RST** INT

Key Entry Internal Ext1 Ext2

Remarks The externally applied, ac-coupled input signal is tested for a voltage level and a display annunciator will report a high or low condition if that voltage is $> \pm 3\%$ of $1 V_p$.

:FM[1] | 2:STATe**Supported** All Models

[:SOURce]:FM[1] | 2:STATe ON | OFF | 1 | 0

[:SOURce]:FM[1] | 2:STATe?

This command enables or disables the frequency modulation for the selected path.

***RST** 0

Key Entry FM Off On

Remarks The RF carrier is modulated when you set the signal generator's modulation state to ON, see “[:MODulation[:STATe]]” on page 129 for more information.

Whenever frequency modulation is enabled, the FM annunciator is turned on in the display.

The two paths for frequency modulation can be simultaneously enabled. Refer to “[:FM[1]2...]” on page 179 for more information.

:FM[1] | 2[:DEVIation]

Supported All Models

[:SOURce] :FM[1] | 2 [:DEVIation] <val><unit>

[:SOURce] :FM[1] | 2 [:DEVIation] ?

This command sets the frequency modulation deviation.

***RST** +1.00000000E+003

Range	<i>Frequency</i>	<i>Deviation</i>	Deviation Option UNJ
	250kHz–249.999MHZ	0–8MHZ	0–1MHZ
	> 249.999–500MHZ	0–4MHZ	0–500kHz
	> 500MHZ–1GHZ	0–8MHZ	0–1MHZ
	> 1–2GHZ	0–16MHZ	0–2MHZ
	> 2–4GHZ	0–32MHZ	0–4MHZ
	> 4–6GHZ	0–8MHZ	0–8MHZ

Key Entry **FM DEV**

Remarks If deviation tracking is ON, a change to the deviation value on one path will apply to both. Refer to “[:FM\[1\]|2\[:DEVIation\]:TRACK](#)” on page 185 for more information and setting the deviation tracking.

:FM[1] | 2[:DEVIation]:TRACK

Supported All Models

[:SOURce] :FM[1] | 2 [:DEVIation] :TRACK ON|OFF | 1 | 0

[:SOURce] :FM[1] | 2 [:DEVIation] :TRACK ?

This command enables or disables the deviation coupling between the paths (FM[1] and FM2).

ON (1) This choice will link the deviation value of FM[1] with FM2; FM2 will assume the FM[1] deviation value. For example, if FM[1] deviation is set to 500 Hz and FM2 is set to 2 kHz, enabling the deviation tracking will cause the FM2 deviation value to change to 500 Hz. This applies regardless of the path (FM[1] or FM2) selected in this command

OFF (0) This choice disables the coupling and both paths will have independent deviation values.

***RST** 0

Key Entry **FM Dev Couple Off On**

Remarks This command uses exact match tracking, not offset tracking.

Low Frequency Output Subsystem ([:SOURce]:LFOuTput)

:AMPLitude

Supported All Models

[:SOURce] :LFOuTput :AMPLitude <val><unit>

[:SOURce] :LFOuTput :AMPLitude?

This command sets the amplitude for the signal at the LF OUTPUT connector.

***RST** 0.00

Range 0.000VP–5.0VP

Key Entry LF Out Amplitude

:FUNction[1]:FREQuency

Supported All Models

[:SOURce] :LFOuTput :FUNction[1] :FREQuency <val><unit>

[:SOURce] :LFOuTput :FUNction[1] :FREQuency?

This command sets the internal modulation frequency for the following applications:

- the first tone of a dual-sine waveform
- the start frequency for a swept-sine waveform
- the frequency rate for all other waveforms

***RST** +4.00000000E+002

Range Sine: 0.1HZ–100KHZ Dual-Sine: 0.1HZ–100KHZ
Swept-Sine: 0.1HZ–100KHZ
All Other Waveforms: 0.1HZ–20KHZ

Key Entry LF Out Tone 1 Freq LF Out Start Freq LF Out Freq

Remarks Refer to “:FUNction[1]:SHAPE” on page 189 for selecting the waveform type.

:FUNCTION[1]:FREQUENCY:ALTERNATE**Supported** All Models

[:SOURce]:LFOutput:FUNCTION[1]:FREQUENCY:ALTERNATE <val><unit>

[:SOURce]:LFOutput:FUNCTION[1]:FREQUENCY:ALTERNATE?

This command sets the frequency for the alternate LF output signal.

RST** +4.00000000E+002**Range** Dual-Sine: 0.1HZ–100KHZ Swept-Sine: 0.1HZ–100KHZ**Key Entry** **LF Out Tone 2 Freq** **LF Out Stop Freq*Remarks** The alternate frequency is the second tone of a dual-sine or the stop frequency of a swept-sine waveform.

Refer to “:FUNCTION[1]:SHAPE” on page 189 for selecting the waveform type.

:FUNCTION[1]:FREQUENCY:ALTERNATE:AMPLITUDE:PERCENT**Supported** All Models

[:SOURce]:LFOutput:FUNCTION[1]:FREQUENCY:ALTERNATE:AMPLITUDE:

PERCENT <val><unit>

[:SOURce]:LFOutput:FUNCTION[1]:FREQUENCY:ALTERNATE:AMPLITUDE:PERCENT?

This command sets the amplitude of the second tone for a dual-sine waveform as a percentage of the total LF output amplitude. For example, if the second tone makes up 30% of the total amplitude, then the first tone is 70% of the total amplitude.

RST** +5.00000000E+001**Range** 0–100PCT**Key Entry** **LF Out Tone 2 Ampl % of Peak*Remarks** Refer to “:FUNCTION[1]:SHAPE” on page 189 for selecting the waveform type.

:FUNCTION[1]:PERiod**Supported** All Models

[:SOURce]:LFOutput:FUNCTION[1]:PERiod <val><unit>

[:SOURce]:LFOutput:FUNCTION[1]:PERiod?

This command sets the pulse period of the internally generated pulsed low frequency waveform.

RST** +1.60000000E-005**Range** 16uS-30S**Key Entry** LF Out Period**:FUNCTION[1]:PWIDth*Supported** All Models

[:SOURce]:LFOutput:FUNCTION[1]:PWIDth <val><unit>

[:SOURce]:LFOutput:FUNCTION[1]:PWIDth?

This command sets the pulse width of the internally-generated pulsed low frequency waveform.

The upper limit range value is restricted by the current value of the pulse period. For example, if the pulse period value is set to 16 μ S, the pulse width is limited to a maximum range value of 16 μ S.

***RST** +8.00000000E-006**Range** 8uS-30S**Key Entry** LF Out Width**Remarks** To change the pulse period value, refer to “:FUNCTION[1]:PERiod” on page 188.

:FUNCTION[1]:SHAPE**Supported** All Models

[:SOURce]:LFOutput:FUNCTION[1]:SHAPE SINE|DUALsine|SWEptsine|TRIangle|SQUare|RAMP|PULSe|NOISe|DC

[:SOURce]:LFOutput:FUNCTION[1]:SHAPE?

This command sets the waveform type for the generated signal at the LF output.

***RST** SINE**Key Entry** Sine Dual-Sine Swept-Sine Triangle Square Ramp Pulse
Noise DC**Remarks** Function Generator must be the source selection to support DUALsine or the SWEptsine waveform. Refer to “:SOURce” on page 190.**:FUNCTION[1]:SWEep:TIME****Supported** All Models

[:SOURce]:LFOutput:FUNCTION[1]:SWEep:TIME <val><unit>

[:SOURce]:LFOutput:FUNCTION[1]:SWEep:TIME?

This command sets the sweep time for an internally generated swept-sine signal at the LF output.

RST** +1.00000000E-001**Range** 1mS-65.535S**Key Entry** LF Out Sweep Time**:FUNCTION[1]:SWEep:TRIGger*Supported** All Models

[:SOURce]:LFOutput:FUNCTION[1]:SWEep:TRIGger BUS|IMMEDIATE|EXTernal|KEY

[:SOURce]:LFOutput:FUNCTION[1]:SWEep:TRIGger?

This command sets the trigger source for the internally generated swept-sine waveform signal at the LF output.

BUS This choice enables GPIB triggering using the *TRG or GET command or LAN and RS-232 triggering using the *TRG command.**IMMEDIATE** This choice enables immediate triggering of the sweep event.**EXTernal** This choice enables the triggering of a sweep event by an externally applied signal at the TRIG IN connector.

Low Frequency Output Subsystem ([:SOURce]:LFOutput)

KEY	This choice enables triggering through front panel interaction by pressing the Trigger hardkey.
*RST	IMM
Key Entry	Bus Free Run Ext Trigger Key
Remarks	Refer to “:FUNCTION[1]:SHAPE” on page 189 for selecting the waveform type.

:SOURce

Supported	All Models
[:SOURce]:LFOutput:SOURce INT[1] FUNCTION	
[:SOURce]:LFOutput:SOURce?	

This command sets the low frequency source for the LF output.

INT[1]	This choice enables you to output a signal where the frequency and shape of the signal is set by the internal source as it is being used by a modulation. For example, if the internal source is currently assigned to an AM path configuration and AM is turned on, the signal output at the LF OUTPUT connector will have the frequency and shape of the amplitude modulating signal.
FUNCTION	This choice enables the selection of an internal function generator.
*RST	FUNC
Key Entry	Internal Monitor Function Generator

:STATE

Supported	All Models
[:SOURce]:LFOutput:STATE ON OFF 1 0	
[:SOURce]:LFOutput:STATE?	

This command enables or disables the low frequency output.

*RST	0
Key Entry	LF Out Off On

Phase Modulation Subsystem ([:SOURce])

:PM[1] | 2...

Supported All Models

[[:SOURce]:PM[1] | 2...]

This prefix enables the selection of the Φ M path and is part of most SCPI commands associated with this subsystem. The two paths are equivalent to the Φ M Path 1 2 softkey.

PM[1] Φ M Path 1 2 with 1 selected

PM2 Φ M Path 1 2 with 2 selected

When just PM is shown in a command, this means the command applies globally to both paths.

Each path is set up separately. When a SCPI command uses PM[1], only path one is affected. Consequently, when PM2 is selected, only path two is set up. However, the deviation of the signals for the two paths can be coupled.

Deviation coupling links the deviation value of PM[1] to PM2. Changing the deviation value for one path will change it for the other path.

These two paths can be on at the same time provided the following conditions have been met:

- DUALsine or SWEPTSine is not the selection for the waveform type
- each path uses a different source (Internal 1, Ext1, or Ext2)
- PM2 must be set to a deviation less than or equal to PM[1]

:PM:INTernal:FREQuency:STEP[:INCRement]**Supported** All Models

[:SOURce]:PM:INTernal:FREQuency:STEP[:INCRement] <num>

[:SOURce]:PM:INTernal:FREQuency:STEP[:INCRement]?

This command sets the step increment of the phase modulation internal frequency.

The variable <num> sets the entered value in units of Hertz.

Range 0.5–1E6**Key Entry** Incr Set

Remarks The value set by this command is used with the UP and DOWN choices for the FM frequency command. Refer to “:PM[1]2:INTernal[1]:FREQuency” on [page 193](#) for more information.

The setting enabled by this command is not affected by signal generator power-on, preset, or *RST.

:PM[1] | 2:BANDwidth | BWIDth**Supported** All Models

[:SOURce]:PM[1] | 2:BANDwidth | BWIDth NORMal | HIGH

[:SOURce]:PM[1] | 2:BANDwidth | BWIDth?

This command toggles between normal phase modulation and high bandwidth phase modulation mode.

***RST** NORM**Key Entry** FM ΦM Normal High BW

:PM[1] | 2:EXternal[1]:COUPLing

Supported All Models

```
[ :SOURCE ] :PM[ 1 ] | 2 :EXternal[ 1 ] :COUPLing AC | DC
```

```
[ :SOURCE ] :PM[ 1 ] | 2 :EXternal[ 1 ] :COUPLing?
```

This command sets the coupling for the phase modulation source through the selected external input connector.

AC This choice will only pass ac signal components.

DC This choice will pass both ac and dc signal components.

***RST** DC

Key Entry Ext Coupling DC AC

Remarks This command does not change the currently active source or switch the current modulation on or off. The modulating signal may be the sum of several signals, either internal or external sources.

:PM[1] | 2:INTernal[1]:FREQuency

Supported All Models

```
[ :SOURCE ] :PM[ 1 ] | 2 :INTernal[ 1 ] :FREQuency <val><unit> | UP | DOWN
```

```
[ :SOURCE ] :PM[ 1 ] | 2 :INTernal[ 1 ] :FREQuency?
```

This command sets the internal modulation frequency rate for the following applications:

- the first tone of a dual-sine waveform
- the start frequency for a swept-sine waveform
- the frequency rate for all other waveforms

***RST** +4.00000000E+002

Range Dual-Sine: 0.1HZ–100KHZ Swept-Sine: 0.1HZ–100KHZ

All Other Waveforms: 0.1HZ–20KHZ

Key Entry Φ MTone 1 Rate Φ M Start Rate Φ M Rate

Remarks Refer to “:FUNCTION[1]:SHAPE” on page 189 for selecting the waveform type.

:PM[1] | 2:INteRnal[1]:FREQuency:ALteRnate**Supported** All Models

[:SOURce]:PM[1] | 2:INteRnal[1]:FREQuency:ALteRnate <val><unit>

[:SOURce]:PM[1] | 2:INteRnal[1]:FREQuency:ALteRnate?

This command sets the frequency for the alternate signal.

***RST** +4.00000000E+002**Range** Dual-Sine: 0.1HZ–100KHZ Swept-Sine: 0.1HZ–100KHZ**Key Entry** Φ M Stop Rate Φ M Tone 2 Rate**Remarks** The alternate frequency is the second tone of a dual-sine or the stop frequency of a swept-sine waveform.

Refer to “:PM[1]2:INteRnal[1]:FUNctIon:SHApe” on page 195 for the waveform selection.

:PM[1] | 2:INteRnal[1]:FREQuency:ALteRnate:AMPLitude:PERCent**Supported** All Models

[:SOURce]:PM[1] | 2:INteRnal[1]:FREQuency:ALteRnate:AMPLitude:

PERCent <val><unit>

[:SOURce]:PM[1] | 2:INteRnal[1]:FREQuency:ALteRnate:AMPLitude:PERCent?

This command sets the amplitude of the second tone for the dual-sine waveform as a percentage of the total amplitude. For example, if the second tone makes up 30% of the total amplitude, then the first tone is 70% of the total amplitude.

***RST** +5.00000000E+001**Range** 0–100PCT**Key Entry** Φ M Tone 2 Ampl Percent of Peak**Remarks** Refer to “:PM[1]2:INteRnal[1]:FUNctIon:SHApe” on page 195 for the waveform selection.

:PM[1] | 2:INTernal[1]:FUNction:SHAPE

Supported All Models

```
[ :SOURce ] :PM[ 1 ] | 2 :INTernal[ 1 ] :FUNction:SHAPE SINE | TRIangle | SQUare | RAMP |
NOISe | DUALsine | SWEPTsine
```

```
[ :SOURce ] :PM[ 1 ] | 2 :INTernal[ 1 ] :FUNction:SHAPE?
```

This command sets the phase modulation waveform type.

***RST** SINE

Key Entry Sine Triangle Square Ramp Noise Dual-Sine Swept-Sine

Remarks The waveform selection is only valid when INT[1] is the source selection. Refer to “:PM[1]2:SOURce” on page 196 for type source selection.

:PM[1] | 2:INTernal[1]:SWEep:TIME

Supported All Models

```
[ :SOURce ] :PM[ 1 ] | 2 :INTernal[ 1 ] :SWEep:TIME <val><unit>
```

```
[ :SOURce ] :PM[ 1 ] | 2 :INTernal[ 1 ] :SWEep:TIME?
```

This command sets the sweep time for a phase-modulated, swept-sine waveform.

***RST** +1.00000000E-001

Range 1.0mS-65.535S

Key Entry Φ M Sweep Time

Remarks Refer to “:PM[1]2:INTernal[1]:FUNction:SHAPE” for the waveform selection.

:PM[1] | 2:INTernal[1]:SWEep:TRIGger

Supported All Models

```
[ :SOURce ] :PM[ 1 ] | 2 :INTernal[ 1 ] :SWEep:TRIGger BUS | IMMEDIATE | EXTERNAL | KEY
```

```
[ :SOURce ] :PM[ 1 ] | 2 :INTernal[ 1 ] :SWEep:TRIGger?
```

This command sets the trigger source for the phase-modulated, swept-sine waveform.

BUS This choice enables GPIB triggering using the *TRG or GET command or LAN and RS-232 triggering using the *TRG command.

IMMEDIATE This choice enables immediate triggering of the sweep event.

EXTERNAL This choice enables the triggering of a sweep event by an externally applied signal at the TRIG IN connector.

Phase Modulation Subsystem ([:SOURce])

KEY	This choice enables triggering through front panel interaction by pressing the Trigger hardkey.
*RST	IMM
Key Entry	Bus Free Run Ext Trigger Key
Remarks	Refer to “:PM[1]2:INTernal[1]:FUNCtion:SHAPE” on page 195 for the waveform selection.

:PM[1] | 2:SOURce

Supported	All Models
	[:SOURce] :PM[1] 2 :SOURce INT[1] EXT1 EXT2 [:SOURce] :PM[1] 2 :SOURce?
	This command sets the source to generate the phase modulation.
INT	This choice selects internal source 1 to provide an ac-coupled signal.
EXT	This choice selects the EXT 1 INPUT or the EXT 2 INPUT connector to provide an externally applied signal that can be ac- or dc-coupled.
*RST	INT
Key Entry	Internal 1 Ext1 Ext2
Remarks	The externally applied, ac-coupled input signal is tested for a voltage level and a display annunciator will report a high or low condition if that voltage is $> \pm 3\%$ of $1 V_p$.

:PM[1] | 2:STATe

Supported	All Models
	[:SOURce] :PM[1] 2 :STATe ON OFF 1 0 [:SOURce] :PM[1] 2 :STATe?
	This command enables or disables the phase modulation for the selected path.
*RST	0
Key Entry	ΦM Off On
Remarks	The RF carrier is modulated when you set the signal generator’s modulation state to ON, see “:MODulation[:STATe]” on page 129 for more information. Whenever phase modulation is enabled, the ΦM annunciator is turned on in the display

The two paths for phase modulation can be simultaneously enabled. Refer to “:PM[1]2...” on page 191 for more information.

:PM[1] | 2[:DEVIation]

Supported All Models

```
[ :SOURCE ] :PM[ 1 ] | 2 [ :DEVIation ] <val><unit> | UP | DOWN
[ :SOURCE ] :PM[ 1 ] | 2 [ :DEVIation ] ?
```

This command sets the deviation of the phase modulation.

The variable <unit> will accept RAD (radians), PIRAD (pi-radians), and DEG (degrees); however, the query will only return values in radians.

***RST** +0.00000000E+000

Range	Frequency	Normal Bandwidth	High Bandwidth
	250kHz–249.999MHz	0–10RAD	0–1RAD
	> 249.999–500MHz	0–5RAD	0–0.5RAD
	> 500MHz–1GHz	0–10RAD	0–1RAD
	> 1–2GHz	0–20RAD	0–2RAD
	> 2–4GHz	0–40RAD	0–4RAD
	> 4–6GHz	0–80RAD	0–8RAD

Key Entry Φ M Dev

Remarks If deviation tracking is active, a change to the deviation value on one path will apply to both.

Refer to “:PM[:DEVIation]:STEP[:INCRement]” on page 198 for setting the value associated with the UP and DOWN choices.

:PM[1] | 2[:DEVIation]:TRACk

Supported All Models

```
[ :SOURCE ] :PM[ 1 ] | 2 [ :DEVIation ] :TRACk ON | OFF | 1 | 0
[ :SOURCE ] :PM[ 1 ] | 2 [ :DEVIation ] :TRACk ?
```

This command enables or disables the deviation coupling between the paths (PM[1] and PM2).

ON (1) This choice will link the deviation value of PM[1] with PM2; PM2 will assume the PM[1] deviation value. For example, if PM[1] deviation is set to 500 Hz and

Phase Modulation Subsystem (:SOURce)

PM2 is set to 2 kHz, enabling the deviation tracking will cause the PM2 deviation value to change to 500 Hz. This applies regardless of the path (PM[1] or PM2) selected in this command.

OFF (0) This choice disables the coupling and both paths will have independent deviation values.

***RST** 0

Key Entry Φ M Dev Couple Off On

Remarks This command uses exact match tracking, not offset tracking.

:PM[:DEVIation]:STEP[:INCRement]

Supported All Models

[:SOURce] :PM[:DEVIation] :STEP[:INCRement] <val><unit>
 [:SOURce] :PM[:DEVIation] :STEP[:INCRement] ?

This command sets the phase modulation deviation step increment.

Range 0.001–1E3RAD

Key Entry Incr Set

Remarks The value set by this command is used with the UP and DOWN choices for the FM deviation command. Refer to “:PM[1]2[:DEVIation]” on page 197 for more information.

The setting enabled by this command is not affected by signal generator power-on, preset, or *RST.

Pulse Modulation Subsystem ([:SOURce]:PULM)

:INTernal[1]:FREQuency

Supported All Models

```
[ :SOURce ] :PULM :INTernal [ 1 ] :FREQuency <val><unit> |UP|DOWN
[ :SOURce ] :PULM :INTernal [ 1 ] :FREQuency?
```

This command sets the rate of the internal square wave pulse modulation source.

***RST** +4.00000000E+002

Range 0.1HZ–20.0kHz

Key Entry **Pulse Rate**

Remarks This command is used when SQUare is the current pulse modulation type. Refer to “[:SOURce]” on page 202 for the pulse modulation type selection.

:INTernal[1]:FREQuency:STEP

Supported All Models

```
[ :SOURce ] :PULM :INTernal [ 1 ] :FREQuency :STEP [ :INCRement ] <frequency>MIN|MAX
[ :SOURce ] :PULM :INTernal [ 1 ] :FREQuency :STEP [ INCRement ]?
```

This command sets the step value for the internally-generated square wave pulse rate.

This command is used when SQUare is the pulse modulation type. Refer to “[:SOURce]” on page 202 for the pulse modulation type selection. The step value, set with this command, is used with the UP and DOWN choices in the :INTernal[1]:FREQuency command.

The step value set with this command is not affected by a power-on, preset, or *RST command.

Example

```
:PULM:INT:FREQ:STEP MIN
```

The preceding example sets the step value for the square wave pulse rate to 0.1 Hz, the minimum rate.

Range 0.1HZ–20kHz

:INteRnal[1]:FUNctIon:SHApe**Supported** All Models

[:SOURce]:PULM:INteRnal[1]:FUNctIon:SHApe PULSe|SQUare

[:SOURce]:PULM:INteRnal[1]:FUNctIon:SHApe?

This command sets the internal pulse modulation waveform type.

RST** PULS**Key Entry** Internal Square Internal Pulse**:INteRnal[1]:PERiod*Supported** All Models

[:SOURce]:PULM:INteRnal[1]:PERiod <val><unit>|UP|DOWN

[:SOURce]:PULM:INteRnal[1]:PERiod?

This command sets the period for the internally generated pulse modulation source.

RST** +8.00000000E-005**Range** 8uS–30S**Key Entry** Pulse Period**Remarks** If the entered value for the pulse period is equal to or less than the value for the pulse width, the pulse width changes to a value that is equal to the pulse period.Refer to “[:INteRnal\[1\]:PERiod:STEP\[:INCRement\]](#)” on page 200 for setting the value associated with the UP and DOWN choices.**:INteRnal[1]:PERiod:STEP[:INCRement]*Supported** All Models

[:SOURce]:PULM:INteRnal[1]:PERiod:STEP[:INCRement] <val><unit>|UP|DOWN

[:SOURce]:PULM:INteRnal[1]:PERiod:STEP[:INCRement]?

This command sets the period time step increment for the internally-generated pulse modulation source.

***RST** +1.00000000E-006**Range** 4uS–30S**Key Entry** Incr Set

Remarks The value set by this command is used with the UP and DOWN choices for the pulse period command. Refer to “:INTErnal[1]:PERiod” on page 200 for more information.

:INTErnal[1]:PWIDth

Supported All Models

```
[ :SOURce ] :PULM :INTErnal [ 1 ] :PWIDth <val><unit> |UP|DOWN
[ :SOURce ] :PULM :INTErnal [ 1 ] :PWIDth?
```

This command sets the pulse width for the internally generated pulse modulation source.

NOTE A power search is recommended for signals with pulse widths less than one microsecond. Refer to “:ALC:SEARCh” on page 60.

***RST** +4.00000000E-005

Range 4uS–30S

Key Entry **Pulse Width**

Remarks If the entered value for the pulse width is equal to or greater than the value for the pulse period, the pulse width will change to a value that is equal to the pulse period.

Refer to “:INTErnal[1]:PWIDth:STEP” on page 201 for setting the value associated with the UP and DOWN choices.

:INTErnal[1]:PWIDth:STEP

Supported All Models

```
[ :SOURce ] :PULM :INTErnal [ 1 ] :PWIDth :STEP <num>[<time suffix>]
[ :SOURce ] :PULM :INTErnal [ 1 ] :PWIDth :STEP?
```

This command sets the step increment for the pulse width.

The optional variable [<time suffix>] accepts nS (nano-seconds) to S (seconds).

***RST** +1.00000000E-006

Range 4uS–30S

Remarks The value set by this command is used by the UP and DOWN choices for the pulse width command. Refer to “:INTErnal[1]:PWIDth” on page 201 for more information.

Pulse Modulation Subsystem ([:SOURce]:PULM)

:SOURce

Supported All Models

[:SOURce] :PULM :SOURce INT | EXT [1] | EXT2

[:SOURce] :PULM :SOURce?

This command sets the source that will generate the pulse modulation.

***RST** INT

Key Entry Internal Square Internal Pulse Ext1 DC-Coupled Ext2 DC-Coupled

:STATe

Supported All Models

[:SOURce] :PULM :STATe ON | OFF | 1 | 0

[:SOURce] :PULM :STATe?

This command enables or disables the operating state of the pulse modulation source.

***RST** 0

Key Entry Pulse Off On

Remarks When pulse modulation is enabled, the PULSE annunciator is shown in the display

5 Component Test Digital Commands

This chapter provides SCPI descriptions for commands dedicated to digital component testing using the E4438C ESG Vector Signal Generator. This chapter contains the following major sections:

- “All Subsystem–Option 001/601 or 002/602 ([:SOURce])” on page 204
- “AWGN ARB Subsystem–Option 403 ([:SOURce]:RADio:AWGN:ARB)” on page 205
- “CDMA ARB Subsystem–Option 401 ([:SOURce]:RADio:CDMA:ARB)” on page 215
- “CDMA2000 ARB Subsystem–Option 401 ([:SOURce]:RADio:CDMA2000:ARB)” on page 240
- “Dmodulation Subsystem–Option 001/601 or 002/602 ([:SOURce]:RADio:DMODulation:ARB)” on page 270
- “Dual ARB Subsystem–Option 001/601 or 002/602 ([:SOURce]:RADio:ARB)” on page 294
- “Multitone Subsystem–Option 001/601 or 002/602 ([:SOURce]:RADio:MTONe:ARB)” on page 326
- “Wideband CDMA ARB Subsystem–Option 400 ([:SOURce]:RADio:WCDMa:TGPP:ARB)” on page 340

All Subsystem–Option 001/601 or 002/602 ([:SOURce])

:RADio:ALL:OFF

Supported E4438C with Option 001/601 or 002/602

[:SOURce] :RADio :ALL :OFF

This command disables the digital modulation formats.

Remarks This command does not affect analog modulation.

AWGN ARB Subsystem–Option 403 ([:SOURce]:RADio:AWGN:ARB)

:BWIDth

Supported E4438C with Option 403

[:SOURce] :RADio :AWGN :ARB :BWIDth <val>

[:SOURce] :RADio :AWGN :ARB :BWIDth?

This command adjusts the bandwidth of the AWGN waveform.

The variable <val> is expressed in units of Hertz (Hz–MHz).

***RST** +1.00000000E+006

Range 5E4–1.5E7

Key Entry Bandwidth

:IQ:EXTernal:FILTer

Supported E4438C with Option 403

[:SOURce] :RADio :AWGN :ARB :IQ :EXTernal :FILTer 40e6 |THRough

[:SOURce] :RADio :AWGN :ARB :IQ :EXTernal :FILTer?

This command selects the filter or through path for I/Q signals routed to the rear panel I and Q outputs. Selecting a filter setting with this command will automatically set the “:IQ:EXTernal:FILTer:AUTO” on page 206 command to Off mode.

40e6 This choice applies a 40 MHz baseband filter.

THRough This choice bypasses filtering.

***RST** THR

Key Entry 40.000 MHz Through

:IQ:EXTeRnal:FiLTeR:AUTO**Supported** E4438C with Option 403

[:SOURce]:RADio:AWGN:ARB:IQ:EXTeRnal:FiLTeR:AUTO ON|OFF|1|0

[:SOURce]:RADio:AWGN:ARB:IQ:EXTeRnal:FiLTeR:AUTO?

This command enables or disables the automatic selection of the filters for I/Q signals routed to the rear panel I/Q outputs.

ON(1) This choice will automatically select a digital modulation filter optimized for the current signal generator settings.

OFF(0) This choice disables the auto feature which lets you select a digital modulation filter or through path. Refer to “[:IQ:EXTeRnal:FiLTeR](#)” on page 205 for selecting a filter or through path.

*RST ON

Key Entry I/Q Output Filter Manual Auto

:HEADer:CLEar**Supported** E4438C with Option 403

[:SOURce]:RADio:AWGN:ARB:HEADer:CLEar

This command clears the header information from the file header used by this modulation format.

Key Entry Clear Header

Remarks The **AWGN Off On** softkey must be set to On for this command to function.

:HEADer:SAVE**Supported** E4438C with Option 403

[:SOURce]:RADio:AWGN:ARB:HEADer:SAVE

This command saves the header information to the file header used by this modulation format.

Key Entry Save Setup To Header

Remarks The **AWGN Off On** softkey must be set to On for this command to function.

:IQ:MODulation:ATTen

Supported E4438C with Option 403

[:SOURce] :RADio :AWGN :ARB :IQ :MODulation :ATTen <val>

[:SOURce] :RADio :AWGN :ARB :IQ :MODulation :ATTen?

This command attenuates the I/Q signals being modulated through the signal generator RF path.

The variable <val> is expressed in units of decibels (dB).

***RST** +2.00000000E+000

Range 0–40

Key Entry Modulator Atten Manual Auto

:IQ:MODulation:ATTen:AUTO

Supported E4438C with Option 403

[:SOURce] :RADio :AWGN :ARB :IQ :MODulation :ATTen :AUTO ON | OFF | 1 | 0

[:SOURce] :RADio :AWGN :ARB :IQ :MODulation :ATTen :AUTO?

This command enables or disables the I/Q attenuation auto mode.

ON (1) This choice enables the attenuation auto mode which optimizes the modulator attenuation for the current conditions.

OFF (0) This choice holds the attenuator at its current setting or at a selected value. Refer to “:IQ:MODulation:ATTen” on page 207 for setting the attenuation value.

***RST** 1

Key Entry Modulator Atten Manual Auto

:IQ:MODulation:FILTer**Supported** E4438C with Option 403

```
[ :SOURce ] :RADio:AWGN:ARB:IQ:MODulation:FILTer 2.1e6|40e6|THROUGH
[ :SOURce ] :RADio:AWGN:ARB:IQ:MODulation:FILTer?
```

This command enables you to select a filter or through path for I/Q signals modulated onto the RF carrier. Selecting a filter with this command will automatically set “:IQ:MODulation:ATTen:AUTO” on page 207 to Off(0) mode.

2.1E6 This choice applies a 2.1 MHz baseband filter to the I/Q signals.

40E6 This choice applies a 40 MHz baseband filter to the I/Q signals.

THROUGH This choice bypasses filtering.

***RST** THR

Key Entry 2.100 MHz 40.000 MHz Through

:IQ:MODulation:FILTer:AUTO**Supported** E4438C with Option 403

```
[ :SOURce ] :RADio:AWGN:ARB:IQ:MODulation:FILTer:AUTO ON|OFF|1|0
[ :SOURce ] :RADio:AWGN:ARB:IQ:MODulation:FILTer:AUTO?
```

This command enables or disables the automatic selection of the filters for I/Q signals modulated onto the RF carrier.

ON(1) This choice will automatically select a digital modulation filter.

OFF(0) This choice disables the auto feature which lets you select a digital modulation filter or through path. Refer to “:IQ:MODulation:FILTer” on page 299 for selecting a filter or through path.

***RST** 1

Key Entry I/Q Mod Filter Manual Auto

:MDEStination:AAMPlitude

Supported E4438C with Option 403

```
[ :SOURCE ] :RADio:AWGN:ARB:MDEStination:AAMPlitude NONE | M1 | M2 | M3 | M4  
[ :SOURCE ] :RADio:AWGN:ARB:MDEStination:AAMPlitude?
```

This command routes the selected marker to the Alternate Amplitude function. The `NONE` parameter clears the marker for the Alternate Amplitude function.

***RST** NONE

Key Entry None Marker 1 Marker 2 Marker 3 Marker 4

:MDEStination:ALCHold

Supported E4438C with Option 403

CAUTION Incorrect automatic level control (ALC) sampling can create a sudden unlevelled condition that may create a spike in the RF output potentially damaging a DUT or connected instrument. Ensure that you set markers to let the ALC sample over an amplitude that accounts for the high power levels within the signal.

```
[ :SOURCE ] :RADio:AWGN:ARB:MDEStination:ALCHold NONE | M1 | M2 | M3 | M4  
[ :SOURCE ] :RADio:AWGN:ARB:MDEStination:ALCHold?
```

This command enables or disables the marker ALC hold function for the selected marker. For setting markers, see “[:MARKer:SET]” on page 302.

Use the ALC hold function when you have a waveform signal that has idle periods, or when the increased dynamic range encountered with RF blanking is not desired. The ALC leveling circuitry responds to the marker signal during the marker pulse (marker signal high), averaging the modulated signal level during this period.

The ALC hold function operates during the low periods of the marker signal. The marker polarity determines when the marker signal is high. For a positive polarity, this is during the marker points. For a negative polarity, this is when there are no marker points. For setting a marker’s polarity, see “[:MPOlarity:MARKer1|2|3|4]” on page 370.

NOTE Do not use the ALC hold for more than 100 ms, because it can affect the waveform’s output amplitude.

The marker signal has a minimum of a two-sample delay in its response relative to the waveform signal response. To compensate for the marker signal delay, offset marker points from the waveform sample point at which you want the ALC sampling to begin.

The ALC hold setting is part of the file header information, so saving the setting to the file header saves the current marker routing for the waveform file.

NOTE A waveform file that has unspecified settings in the file header uses the previous waveform’s routing settings.

For more information on the marker ALC hold function, see the *E4428C/38C ESG Signal Generators User’s Guide*. For setting the marker points, see “:MARKer:[SET]” on page 302.

NONE This terminates the marker ALC hold function.

M1–M4 These are the marker choices. The ALC hold feature uses only one marker at a time.

***RST** NONE

Example

```
:RAD:AWGB:ARB:MDES:ALCH M1
```

The preceding example routes marker 1 to the ALC Hold function.

Key Entry None Marker 1 Marker 2 Marker 3 Marker 4

Remarks N/A

:MDEStination:PULSe

Supported E4438C with Option 403

CAUTION The pulse function incorporates ALC hold. Incorrect automatic level control (ALC) sampling can create a sudden unlevelled condition that may create a spike in the RF output potentially damaging a DUT or connected instrument. Ensure that you set markers to let the ALC sample over an amplitude that accounts for the high power levels within the signal.

```
[ :SOURce ] :RADio :ARB :MDEStination :PULSe NONE | M1 | M2 | M3 | M4
[ :SOURce ] :RADio :ARB :MDEStination :PULSe?
```

This command enables or disables the marker pulse/RF blanking function for the selected marker.

This function automatically uses the ALC hold function, so there is no need to select both the ALC hold and the pulse/RF blanking for the same marker.

NOTE Do not use ALC hold for more than 100 ms, because it can affect the waveform’s output amplitude.

The signal generator blanks the RF output when the marker signal goes low. The marker polarity determines when the marker signal is low. For a positive polarity, this is during the marker points. For a negative polarity, this is when there are no marker points. For setting a marker’s polarity, see “:MPOLarity:MARKer1|2|3|4” on page 333.

NOTE Set marker points prior to using this function. Enabling this function without setting marker points may create a continuous low or high marker signal, depending on the marker polarity. This causes either no RF output or a continuous RF output. See “:MARKer:[SET]” on page 302 for setting the marker points.

The marker signal has a minimum of a two-sample delay in its response relative to the waveform signal response. To compensate for the marker signal delay, offset marker points from the waveform sample point at which you want the RF blanking to begin. The RF blanking setting is part of the file header information, so saving the setting to the file header saves the current marker routing for the waveform file.

NOTE A waveform file that has unspecified settings in the file header uses the previous waveform’s routing settings. This could create the situation where there is no RF output signal, because the previous waveform used RF blanking.

For more information on the marker RF blanking function, see the *E4428C/38C ESG Signal Generators User’s Guide*.

NONE This terminates the marker RF blanking/pulse function.

M1–M4 These are the marker choices. The RF blanking/pulse feature uses only one marker at a time.

Example

```
:RAD:ARB:MDES:PULS M2
```

The preceding example routes marker 2 to Pulse/RF Blanking.

```
*RST NONE
```

Key Entry	None	Marker 1	Marker 2	Marker 3	Marker 4
------------------	-------------	-----------------	-----------------	-----------------	-----------------

:MPOLarity:MARKer1 | 2 | 3 | 4

Supported E4438C with Option 403

```
[ :SOURce ] :RADio:AWGN:ARB:MPOLarity:MARKer1 | 2 | 3 | 4 NEGative | POSitive
[ :SOURce ] :RADio:AWGN:ARB:MPOLarity:MARKer1 | 2 | 3 | 4 ?
```

This command sets the polarity for the selected marker. For a positive marker polarity, the marker signal is high during the marker points. For a negative marker polarity, the marker signal is high during the period of no marker points.

***RST** POS

Key Entry Marker 1 Polarity Neg Pos Marker 2 Polarity Neg Pos Marker 3 Polarity Neg Pos
Marker 4 Polarity Neg Pos

:LENGth

Supported E4438C with Option 403

```
[ :SOURce ] :RADio:AWGN:ARB:LENGth 1048576 | 524288 | 262144 | 131072 | 65536 |
32768 | 16384
[ :SOURce ] :RADio:AWGN:ARB:LENGth ?
```

This command specifies the length (number of points) of the AWGN waveform.

***RST** +524288

Key Entry 1048576 524288 262144 131072 65536 32768 16384

Remarks A longer waveform yields a statistically more correct waveform.

:REFerence:EXTernal:FREQuency

Supported E4438C with Option 403

```
[ :SOURce ] :RADio:AWGN:ARB:REFerence:EXTernal:FREQuency <val>
[ :SOURce ] :RADio:AWGN:ARB:REFerence:EXTernal:FREQuency ?
```

This command allows you to enter the frequency of the applied external reference.

The variable <val> is expressed in units of hertz (Hz–MHz).

***RST** +1.00000000E+007

Range 2.5E5–1E8

Key Entry Reference Freq

Remarks The value specified by this command is effective only when you are using an external ARB reference applied to the BASEBAND GEN REF IN rear panel connector.

To specify external as the ARB reference source type, refer to “:REFerence[:SOURce]” on page 281.

:REFerence[:SOURce]

Supported E4438C with Option 403

```
[ :SOURCE ] :RADio:AWGN:ARB:REFerence[ :SOURCE ] INTernal | EXTernal
[ :SOURCE ] :RADio:AWGN:ARB:REFerence[ :SOURCE ] ?
```

This command selects either an internal or external reference for the waveform clock.

***RST** INT

Key Entry ARB Reference Ext Int

Remarks If the EXTernal choice is selected, the external frequency *value must* be entered and the signal must be applied to the BASEBAND GEN REF IN rear panel connector.

Refer to “:REFerence:EXTernal:FREQuency” on page 280 to enter the external reference frequency.

:SCLock:RATE

Supported E4438C with Option 403

```
[ :SOURCE ] :RADio:AWGN:ARB:SCLock:RATE <val>
[ :SOURCE ] :RADio:AWGN:ARB:SCLock:RATE ?
```

This command sets the sample clock rate for the AWGN modulation format.

The variable <val> is expressed in units of hertz.

***RST** +1.00000000E+008

Range 1–1E8

Key Entry ARB Sample Clock

Remarks The modulation format should be active before executing this command. If this command is executed before the modulation format is active, the entered value will be overridden by a calculated factory default value. Refer to “[:STATE]” on page 214 to activate the modulation format.

:SEED

Supported E4438C with Option 403

[:SOURce] :RADio :AWGN :ARB :SEED FIXed | RANDom

[:SOURce] :RADio :AWGN :ARB :SEED?

This command toggles the AWGN waveform noise seed value type.

FIXed This choice selects a fixed noise seed value.

RANDom This choice selects a randomly generated noise seed value.

***RST** FIX

Key Entry Noise Seed Fixed Random

[:STATe]

Supported E4438C with Option 403

[:SOURce] :RADio :AWGN :ARB [:STATe] ON | OFF | 1 | 0

[:SOURce] :RADio :AWGN :ARB [:STATe]?

This command enables or disables the AWGN generator function.

***RST** 0

Key Entry Arb AWGN Off On

CDMA ARB Subsystem–Option 401 ([:SOURce]:RADio:CDMA:ARB)

:CLIPping:I

Supported E4438C with Option 401

[:SOURce] :RADio:CDMA:ARB:CLIPping:I <val>

[:SOURce] :RADio:CDMA:ARB:CLIPping:I?

This command clips (limits) the modulation level of the waveform’s I component to a percentage of full scale.

The variable <val> is expressed in units of percent.

***RST** +1.00000000E+002

Range 10–100

Key Entry Clip |I| To

:CLIPping:POSition

Supported E4438C with Option 401

[:SOURce] :RADio:CDMA:ARB:CLIPping:POSition PRE|POST

[:SOURce] :RADio:CDMA:ARB:CLIPping:POSition?

This command specifies whether a waveform is clipped before (PRE) or after (POST) FIR filtering.

***RST** PRE

Key Entry Clip At PRE POST FIR Filter

:CLIPping:Q

Supported E4438C with Option 401

[:SOURce] :RADio:CDMA:ARB:CLIPping:Q <val>

[:SOURce] :RADio:CDMA:ARB:CLIPping:Q?

This command clips (limits) the modulation level of the waveform’s Q component to a percentage of full scale.

The variable <val> is expressed in units of percent.

***RST** +1.00000000E+002

Range 10–100
Key Entry Clip |Q| To

:CLIPping:TYPE

Supported E4438C with Option 401

```
[ :SOURCE ] :RADIo:CDMA:ARB:CLIPping:TYPE IJQ|IORQ
[ :SOURCE ] :RADIo:CDMA:ARB:CLIPping:TYPE?
```

This command selects either IJQ or IORQ as the clipping type.

IJQ The combined I and Q waveform will be clipped (*circular clipping*).

IORQ The I and Q components of the waveform are clipped independently (*rectangular clipping*). I and Q can be clipped to different levels using this mode.

***RST** IJQ

Key Entry Clipping Type |I+jQ| |I|,|Q|

:CLIPping[:IJQ]

Supported E4438C with Option 401

```
[ :SOURCE ] :RADIo:CDMA:ARB:CLIPping[ :IJQ ] <val>
[ :SOURCE ] :RADIo:CDMA:ARB:CLIPping[ :IJQ ]?
```

This command clips (limits) the modulation level of the combined I and Q waveform to a percentage of full scale.

The variable <val> is expressed in units of percent.

***RST** +1.00000000E+002

Range 10–100

Key Entry Clip |I+jQ| To

:CRATe

Supported E4438C with Option 401

```
[ :SOURCE ] :RADIo:CDMA:ARB:CRATe <val>
[ :SOURCE ] :RADIo:CDMA:ARB:CRATe?
```

This command sets the chip rate value.

The variable <val> is expressed as chips per second (cps–Mcps).

***RST** +1.22880000E+006
Range 10–8E6
Key Entry Chip Rate

:IQ:EXtErnal:FILTer

Supported E4438C with Option 401
[:SOURce]:RADio:CDMA:ARB:IQ:EXtErnal:FILTer 40e6|THRough
[:SOURce]:RADio:CDMA:ARB:IQ:EXtErnal:FILTer?

This command selects the filter or through path for I/Q signals routed to the rear panel I and Q outputs. Selecting a filter using this command will automatically set “:IQ:EXtErnal:FILTer:AUTO” on [page 217](#) to OFF(0) mode.

40e6 This choice applies a 40 MHz baseband filter.
THRough This choice bypasses filtering.
***RST** THR
Key Entry 40.000 MHz Through

:IQ:EXtErnal:FILTer:AUTO

Supported E4438C with Option 401
[:SOURce]:RADio:CDMA:ARB:IQ:EXtErnal:FILTer:AUTO ON|OFF|1|0
[:SOURce]:RADio:CDMA:ARB:IQ:EXtErnal:FILTer:AUTO?

This command enables or disables the automatic selection of the filters for I/Q signals routed to the rear panel I/Q outputs.

ON(1) This choice will automatically select a digital modulation filter optimized for the current signal generator settings.
OFF(0) This choice disables the auto feature which lets you select a digital modulation filter or through path. Refer to “:IQ:EXtErnal:FILTer” on [page 217](#) for selecting a filter or through path.
***RST** 1
Key Entry I/Q Output Filter Manual Auto

:FILTer

Supported E4438C with Option 401

```
[ :SOURCE ]:RADIO:CDMA:ARB:FILTer RNYQuist|NYQuist|GAUSSian|RECTangle|
IS95|IS95_EQ|IS95_MOD|IS95_MOD_EQ|WCDMA|AC4Fm|IS2000SR3DS|UGGaussian|
"<user FIR>"
[ :SOURCE ]:RADIO:CDMA:ARB:FILTer?
```

This command selects the pre-modulation filter type.

- IS95 This choice selects a filter that meets the criteria of the IS-95 standard.
- IS95_EQ This choice selects a filter which is a combination of the IS-95 filter (above) and the equalizer filter described in the IS-95 standard. This filter is only used for IS-95 baseband filtering.
- IS95_MOD This choice selects a filter that meets the criteria of the IS-95 error function (for improved adjacent channel performance) with lower passband rejection than the filter specified in the IS-95 standard.
- IS95_MOD_EQ This choice selects a filter which is a combination of the equalizer filter described in the IS-95 standard and a filter that meets the criteria of the IS-95 error function (for improved adjacent channel performance), with lower passband rejection.
- WCDMa This choice selects a 0.22 Nyquist filter optimized for ACP.
- AC4Fm This choice selects a predefined Association of Public Safety Communications Officials (APCO) specified compatible 4-level frequency modulation (C4FM) filter.
- IS2000SR3DS This choice selects an IS-2000 standard, spread rate 3 direct spread filter.
- UGGaussian This choice selects a backwards compatible GSM Gaussian filter (Gaussian filter with a fixed BbT value of 0.300) for the ESG E44xxB Option UN3 or UN4.
- "<user FIR>" This variable is any FIR filter file that you have stored in memory. The variable needs no directory path indicating the location of the file, such as FIR: or /USER/FIR. The command assumes the FIR directory. Refer to [“File Name Variables” on page 13](#) for more information on file names.

***RST** IS95_MOD_EQ

Key Entry	Root Nyquist	Nyquist	Gaussian	Rectangle	IS-95	IS-95 w/EQ
	IS-95 Mod	IS-95 Mod w/EQ	WCDMA	APCO 25 C4FM	IS-2000 SR3 DS	
	UN3/4 GSM Gaussian	User FIR				

:FILTER:ALPHA

Supported E4438C with Option 401

[:SOURCE] :RADIO :CDMA :ARB :FILTER :ALPHA <val>

[:SOURCE] :RADIO :CDMA :ARB :FILTER :ALPHA?

This command changes the Nyquist or root Nyquist filter's alpha value.

The filter alpha value can be set to the minimum level (0), the maximum level (1), or in between by using fractional numeric values (0.001–0.999).

***RST** +5.00000000E–001

Range 0.000–1.000

Key Entry Filter Alpha

Remarks To change the current filter type, refer to “:FILTER” on page 218.

:FILTER:BBT

Supported E4438C with Option 401

[:SOURCE] :RADIO :CDMA :ARB :FILTER :BBT <val>

[:SOURCE] :RADIO :CDMA :ARB :FILTER :BBT?

This command changes the bandwidth-multiplied-by-bit-time (BbT) filter parameter.

The filter BbT value can be set to the minimum level (0), the maximum level (1), or in between by using fractional numeric values (0.001–0.999).

***RST** +5.00000000E–001

Range 0.000–1.000

Key Entry Filter BbT

Remarks This command is effective only after choosing a Gaussian filter. It does not have an effect on other types of filters.

To change the current filter type, refer to “:FILTER” on page 218.

:FILTER:CHANnel

Supported E4438C with Option 401

[:SOURCE] :RADIo:CDMA:ARB:FILTer:CHANnel EVM|ACP

[:SOURCE] :RADIo:CDMA:ARB:FILTer:CHANnel?

This command optimizes the Nyquist and root Nyquist filters to minimize error vector magnitude (EVM) or to minimize adjacent channel power (ACP).

EVM This choice provides the most ideal passband.

ACP This choice improves stopband rejection.

***RST** EVM

Key Entry Optimize FIR For EVM ACP

Remarks To change the current filter type, refer to “:FILTer” on page 218.

:HEADer:CLEar

Supported E4438C with Option 401

[:SOURCE] :RADIo:CDMA:ARB:HEADer:CLEar

This command clears the header information from the file header used by this modulation format.

Key Entry Clear Header

Remarks The **CDMA Off On** softkey must be set to On for this command to function.

:HEADer:SAVE

Supported E4438C with Option 401

[:SOURCE] :RADIo:CDMA:ARB:HEADer:SAVE

This command saves the header information to the file header used by this modulation format.

Key Entry Save Setup To Header

Remarks The **CDMA Off On** softkey must be set to On for this command to function.

:IQMap

Supported E4438C with Option 401

```
[ :SOURce ]:RADio:CDMA:ARB:IQMap NORMAL | INVerted
[ :SOURce ]:RADio:CDMA:ARB:IQMap?
```

This command selects whether the Q output will be normal or inverted.

NORMAL This choice selects normal polarity.

INVerted This choice inverts the internal Q signal.

***RST** NORM

Key Entry I/Q Mapping Normal Invert

Remarks Inverting the Q output inverts the RF spectrum after the modulation.

:IQ:MODulation:ATTen

Supported E4438C with Option 401

```
[ :SOURce ]:RADio:CDMA:ARB:IQ:MODulation:ATTen <val>
[ :SOURce ]:RADio:CDMA:ARB:IQ:MODulation:ATTen?
```

This command attenuates the I/Q signals being modulated through the signal generator RF path.

The variable <val> is expressed in units of decibels (dB).

***RST** +2.00000000E+000

Range 0–40

Key Entry Modulator Atten Manual Auto

:IQ:MODulation:ATTen:AUTO

Supported E4438C with Option 401

```
[ :SOURce ]:RADio:CDMA:ARB:IQ:MODulation:ATTen:AUTO ON | OFF | 1 | 0
[ :SOURce ]:RADio:CDMA:ARB:IQ:MODulation:ATTen:AUTO?
```

This command enables or disables the I/Q attenuation auto mode.

ON (1) This choice enables the attenuation auto mode which optimizes the modulator attenuation for the current conditions.

OFF (0) This choice holds the attenuator at its current setting or at a selected value. Refer to [“:IQ:MODulation:ATTen” on page 221](#) for setting the attenuation value.

***RST** 1
Key Entry Modulator Atten Manual Auto

:IQ:MODulation:FILTer

Supported E4438C with Option 401

```
[ :SOURce ]:RADio:CDMA:ARB:IQ:MODulation:FILTer 2.1e6|40e6|THROUGH
[:SOURce]:RADio:CDMA:ARB:IQ:MODulation:FILTer?
```

This command enables you to select a filter or through path for I/Q signals modulated onto the RF carrier. Selecting a filter using this command will automatically set “[:IQ:MODulation:ATTen:AUTO](#)” on page 221 to OFF(0) mode.

2.1E6 This choice applies a 2.1 MHz baseband filter to the I/Q signals.
 40E6 This choice applies a 40 MHz baseband filter to the I/Q signals.
 THROugh This choice bypasses filtering.

***RST** THR
Key Entry 2.100 MHz 40.000 MHz Through

:IQ:MODulation:FILTer:AUTO

Supported E4438C with Option 401

```
[ :SOURce ]:RADio:CDMA:ARB:IQ:MODulation:FILTer:AUTO ON|OFF|1|0
[:SOURce]:RADio:CDMA:ARB:IQ:MODulation:FILTer:AUTO?
```

This command enables or disables the automatic selection of the filters for I/Q signals modulated onto the RF carrier.

ON(1) This choice will automatically select a digital modulation filter.
 OFF(0) This choice disables the auto feature which lets you select a digital modulation filter or through path. Refer to “[:IQ:MODulation:FILTer](#)” on page 299 for selecting a filter or through path.

***RST** 1
Key Entry I/Q Mod Filter Manual Auto

:MDESTination:AAMPLitude

Supported E4438C with Option 401

```
[ :SOURce ]:RADio:CDMA:ARB:MDESTination:AAMPLitude NONE|M1|M2|M3|M4
```

`[:SOURce] :RADio:CDMA:ARB:MDEStination:AAMPlitude?`

This command routes the selected marker to the Alternate Amplitude function. The `NONE` parameter clears the marker for the Alternate Amplitude function.

*RST	NONE				
Key Entry	None	Marker 1	Marker 2	Marker 3	Marker 4

:MDEStination:ALCHold

Supported E4438C with Option 401

CAUTION Incorrect automatic level control (ALC) sampling can create a sudden unlevelled condition that may create a spike in the RF output potentially damaging a DUT or connected instrument. Ensure that you set markers to let the ALC sample over an amplitude that accounts for the high power levels within the signal.

`[:SOURce] :RADio:CDMA:ARB:MDEStination:ALCHold NONE |M1 |M2 |M3 |M4`
`[:SOURce] :RADio:CDMA:ARB:MDEStination:ALCHold?`

This command enables or disables the marker ALC hold function for the selected marker. For setting markers, see “[:MARKer:\[SET\]](#)” on page 302.

Use the ALC hold function when you have a waveform signal that has idle periods, or when the increased dynamic range encountered with RF blanking is not desired. The ALC leveling circuitry responds to the marker signal during the marker pulse (marker signal high), averaging the modulated signal level during this period.

The ALC hold function operates during the low periods of the marker signal. The marker polarity determines when the marker signal is high. For a positive polarity, this is during the marker points. For a negative polarity, this is when there are no marker points. For setting a marker’s polarity, see “[:MPOLarity:MARKer1|2|3|4](#)” on page 226.

NOTE Do not use the ALC hold for more than 100 ms, because it can affect the waveform’s output amplitude.

The marker signal has a minimum of a two-sample delay in its response relative to the waveform signal response. To compensate for the marker signal delay, offset marker points from the waveform sample point at which you want the ALC sampling to begin.

The ALC hold setting is part of the file header information, so saving the setting to the file header saves the current marker routing for the waveform file.

NOTE A waveform file that has unspecified settings in the file header uses the previous waveform’s routing settings.

For more information on the marker ALC hold function, see the *E4428C/38C ESG Signal Generators User’s Guide*. For setting the marker points, see “[:MARKer:[SET]]” on page 302.

NONE This terminates the marker ALC hold function.

M1–M4 These are the marker choices. The ALC hold feature uses only one marker at a time.

***RST** NONE

Example

```
:RAD:AWGB:ARB:MDES:ALCH M1
```

The preceding example routes marker 1 to the ALC Hold function.

Key Entry **None** **Marker 1** **Marker 2** **Marker 3** **Marker 4**

Remarks N/A

:MDESTination:PULSe

Supported E4438C with Option 401

CAUTION The pulse function incorporates ALC hold. Incorrect automatic level control (ALC) sampling can create a sudden unlevelled condition that may create a spike in the RF output potentially damaging a DUT or connected instrument. Ensure that you set markers to let the ALC sample over an amplitude that accounts for the high power levels within the signal.

```
[ :SOURCE ] : RADIO : ARB : MDESTination : PULSe NONE | M1 | M2 | M3 | M4
[ :SOURCE ] : RADIO : ARB : MDESTination : PULSe?
```

This command enables or disables the marker pulse/RF blanking function for the selected marker.

This function automatically uses the ALC hold function, so there is no need to select both the ALC hold and the pulse/RF blanking for the same marker.

NOTE Do not use ALC hold for more than 100 ms, because it can affect the waveform’s output amplitude.

The signal generator blanks the RF output when the marker signal goes low. The marker polarity determines when the marker signal is low. For a positive polarity, this is during the marker points. For a negative polarity, this is when there are no marker points. For setting a marker’s polarity, see “:MPOLarity:MARKer1|2|3|4” on page 226.

NOTE Set marker points prior to using this function. Enabling this function without setting marker points may create a continuous low or high marker signal, depending on the marker polarity. This causes either no RF output or a continuous RF output. See “:MARKer:[SET]” on page 302 for setting the marker points.

The marker signal has a minimum of a two-sample delay in its response relative to the waveform signal response. To compensate for the marker signal delay, offset marker points from the waveform sample point at which you want the RF blanking to begin. The RF blanking setting is part of the file header information, so saving the setting to the file header saves the current marker routing for the waveform file.

NOTE A waveform file that has unspecified settings in the file header uses the previous waveform’s routing settings. This could create the situation where there is no RF output signal, because the previous waveform used RF blanking.

For more information on the marker RF blanking function, see the *E4428C/38C ESG Signal Generators User’s Guide*.

- NONE This terminates the marker RF blanking/pulse function.
- M1–M4 These are the marker choices. The RF blanking/pulse feature uses only one marker at a time.

Example

```
:RAD:ARB:MDES:PULS M2
```

The preceding example routes marker 2 to Pulse/RF Blanking.

```
*RST NONE
Key Entry None Marker 1 Marker 2 Marker 3 Marker 4
```

:MPOLarity:MARKer1 | 2 | 3 | 4**Supported** E4438C with Option 401

```
[ :SOURCE ] :RADio:CDMA:ARB:MPOLarity:MARKer1 | 2 | 3 | 4 NEGative | POSitive
[ :SOURCE ] :RADio:CDMA:ARB:MPOLarity:MARKer1 | 2 | 3 | 4?
```

This command sets the polarity for the selected marker. For a positive marker polarity, the marker signal is high during the marker points. For a negative marker polarity, the marker signal is high during the period of no marker points.

***RST** POS

Key Entry **Marker 1 Polarity Neg Pos Marker 2 Polarity Neg Pos Marker 3 Polarity Neg Pos**
Marker 4 Polarity Neg Pos

:OSAMple**Supported** E4438C with Option 401

```
[ :SOURCE ] :RADio:CDMA:ARB:OSAMple <val>
[ :SOURCE ] :RADio:CDMA:ARB:OSAMple?
```

This command sets the oversampling ratio (number of filter taps per symbol) for CDMA modulation.

***RST** +5**Range** 2–8**Key Entry** **Oversample Ratio**

Remarks The upper limit of the oversample ratio is adjusted based on the waveform length and chip rate.

Using larger oversample ratios result in more completely filtered images, but this action also uses up more waveform memory.

The maximum oversample ratio is the smaller of 8, 40 Mcps/Chip Rate, or 32/Waveform Length (number of CDMA short codes).

:REFerence:EXTernal:FREQuency**Supported** E4438C with Option 401

```
[ :SOURCE ] :RADio:CDMA:ARB:REFerence:EXTernal:FREQuency <val>
[ :SOURCE ] :RADio:CDMA:ARB:REFerence:EXTernal:FREQuency?
```

This command allows you to enter the frequency of the applied external reference.

The variable <val> is expressed in units of Hertz (Hz–MHz).

***RST** +1.00000000E+007

Range 2.5E5–1E8

Key Entry Reference Freq

Remarks The value specified by this command is effective only when you are using an external ARB reference applied to the BASEBAND GEN REF IN rear panel connector.

To specify external as the ARB reference source type, refer to “:REFerence[:SOURce]” on page 227.

:REFerence[:SOURce]

Supported E4438C with Option 401

[:SOURce] :RADio:CDMA:ARB:REFerence[:SOURce] INTernal | EXTernal
 [:SOURce] :RADio:CDMA:ARB:REFerence[:SOURce]?

This command selects either an internal or external reference for the waveform clock.

***RST** INT

Key Entry ARB Reference Ext Int

Remarks If the EXTernal choice is selected, the external frequency value *must* be entered and the signal must be applied to the BASEBAND GEN REF IN rear panel connector.

Refer to “:REFerence:EXTernal:FREQuency” on page 226 to enter the external reference frequency.

:RETRigger

Supported E4438C with Option 401

[:SOURce] :RADio:CDMA:ARB:RETRigger ON | OFF | IMMEDIATE
 [:SOURce] :RADio:CDMA:ARB:RETRigger?

This command enables or disables the ARB retriggering mode; the retrigger mode controls how the retriggering function performs while a waveform is playing.

ON(1) This choice specifies that if a trigger occurs while a waveform is playing, the waveform will retrigger at the end of the current waveform sequence and play once more.

OFF(0) This choice specifies that if a trigger occurs while a waveform is playing, the trigger will be ignored.

CDMA ARB Subsystem–Option 401 ([:SOURce]:RADio:CDMA:ARB)

IMMEDIATE This choice specifies that if a trigger occurs while a waveform is playing, the waveform will reset and replay from the start immediately upon receiving a trigger.

***RST** ON

Key Entry On Off Immediate

:SCLock:RATE

Supported E4438C with Option 401

[:SOURce]:RADio:CDMA:ARB:SCLock:RATE <val>

[:SOURce]:RADio:CDMA:ARB:SCLock:RATE?

This command sets the sample clock rate for the CDMA modulation format.

The variable <val> is expressed in units of hertz.

***RST** +1.00000000E+008

Range 1–1E8

Key Entry ARB Sample Clock

Remarks The modulation format should be active before executing this command. If this command is executed before the modulation format is active, the entered value will be overridden by a calculated factory default value. Refer to “[:STATe]” on [page 239](#) to activate the modulation format.

:SETup

Supported E4438C with Option 401

[:SOURce]:RADio:CDMA:ARB:SETup FWD9 | FWD32 | FWD64 | PILot | REVerse | MCARrier |
" <file name> "

[:SOURce]:RADio:CDMA:ARB:SETup?

This command selects a pre-defined CDMA channel setup or multicarrier, and turns multicarrier off or on (see the MCARrier choice description).

FWD9 This CDMA setup consists of 9 forward channels (pilot, paging, sync, and 6 traffic channels) at IS-97-defined power levels.

FWD32 This CDMA setup consists of 32 forward channels (pilot, paging, sync, and 29 traffic channels) at IS-97-defined power levels.

FWD64 This CDMA setup consists of 64 forward channels (pilot, 7 paging, sync, and 55 traffic channels) at IS-97-defined power levels.

PILot This choice selects single pilot channel.

REVerse	A single reverse link traffic channel.					
MCARrier	This choice selects multicarrier and turns it on. Selecting any other setup such as FWD9 or FWD64 turns multicarrier off. To select the multicarrier setup, see “:SETup:MCARrier” on page 230.					
*RST	FWD9					
Key Entry	9 Ch Fwd	32 Ch Fwd	64 Ch Fwd	Pilot	Reverse	Multicarrier Off On
	Multicarrier Off On		Custom CDMA State			
Remarks	Refer to “File Name Variables” on page 13 for information on the file name syntax.					

:SETup:CHANnel

Supported E4438C with Option 401

```
[ :SOURCE ] :RADio:CDMA:ARB:SETup:CHANnel IS97 | EQUal | SCALe | NONE { , PILOt |
SYNC | PAGing | TRAFFic , <walsh_value> , <power_value> , <pn_offset> , RANDom |
<data_value> }
[ :SOURCE ] :RADio:CDMA:ARB:SETup:CHANnel?
```

This command defines the channel parameters of the CDMA signal. This allows for customizing of the channel type, the channel parameters, and the data value.

The variable <power_value> is expressed in units of decibels (dB).

IS97	This choice sets the channel power levels to IS-97-defined power levels.
EQUAL	This choice sets the channel power levels so that all channels are of equal power and the total power equals 0 dBm.
SCALe	This choice scales all of the current channel powers so that the total power equals 0 dB while keeping the previous power ratios between the individual channels.
NONE	This choice bypasses the power level setting.
PILOt	This choice selects a single traffic channel.
SYNC	This choice selects a sync channel.
PAGing	This choice selects a paging channel.
TRAFFic	This choice selects a traffic channel.
RANDom	This choice selects a randomly generated data value.

The channel type, walsh code, power, PN offset, and data values are returned when a query is initiated. The output format is as follows:

<channel_type> , <walsh_value> , <power> , <pn_offset> , <data_value>

*RST	Channel #	Channel Type	Walsh Code	Power	PN Offset	Data
	1	PIL	+0	-7.0000000E+000	+0	+0
	2	PAG	+1	-7.26000023E+000	+0	RAND
	3	TRAF	+8	-1.02600002E+001	+0	RAND
	4	TRAF	+9	-1.02600002E+001	+0	RAND
	5	TRAF	+10	-1.02600002E+001	+0	RAND
	6	TRAF	+11	-1.02600002E+001	+0	RAND
	7	TRAF	+12	-1.02600002E+001	+0	RAND
	8	TRAF	+13	-1.02600002E+001	+0	RAND
	9	SYNC	+32	-1.02600002E+001	+0	RAND

Range <power_value>: -40 to 0 <walsh_value>: 0-63 <pn_offset>: 0-511

Key Entry IS-97 Levels Equal Powers Scale to 0dB Sync Pilot Paging Traffic

:SETup:MCARrier

Supported E4438C with Option 401

[:SOURCE] :RADIO:CDMA:ARB:SETup:MCARrier CAR3 | CAR4 | "<file name>"

[:SOURCE] :RADIO:CDMA:ARB:SETup:MCARrier?

This command selects a pre-defined or user-defined multicarrier CDMA setup.

CAR3 This choice selects three 9 channel forward carriers with a power level of 0.00 dB, the first with a -1.25 MHz frequency offset, the second with no frequency offset, and the third with +1.25 MHz frequency offset.

CAR4 This choice selects four 9 channel forward carriers with a power level of 0.00 dB, the first with a -1.875 MHz frequency offset, the second with a -625 kHz frequency offset, the third with +625 kHz frequency offset, and the fourth with a +1.875 MHz frequency offset.

"<file name>" This choice selects a file consisting of the user-defined number of channel forward carriers, power levels, and frequency offsets.

***RST** CAR3

Key Entry 3 Carriers 4 Carriers Custom CDMA Multicarrier

Remarks Refer to [“File Name Variables” on page 13](#) for information on the file name syntax.

:SETup:MCARrier:STORE

Supported E4438C with Option 401

```
[ :SOURce ]:RADio:CDMA:ARB:SETup:MCARrier:STORE "<file name>"
```

This command stores the current multicarrier setup information.

The stored file contains information including the digital modulation format, number of carriers, frequency spacing, and power settings for the multicarrier setup.

Key Entry **Store Custom Multicarrier**

Remarks Refer to [“File Name Variables” on page 13](#) for information on the file name syntax.

:SETup:MCARrier:TABLE

Supported E4438C with Option 401

```
[ :SOURce ]:RADio:CDMA:ARB:SETup:MCARrier:TABLE {FWD9|FWD32|FWD64|PILot|
CUSTom,"<file name>"|"",<freq_offset>,<power>}
[ :SOURce ]:RADio:CDMA:ARB:SETup:MCARrier:TABLE?
```

This command defines the multicarrier CDMA waveform.

The variable <freq_offset> is expressed in units of Hertz (kHz to MHz).

The variable <power> is expressed in units of decibels (dB).

The carrier type, carrier name, frequency offset, and power level are returned when a query is initiated. The output format is as follows:

```
<carrier type>,<carrier_name>,<freq_offset>,<power>
```

FWD9 This CDMA setup consists of 9 forward channels (pilot, paging, sync, and 6 traffic channels) at IS-97-defined power levels.

FWD32 This CDMA setup consists of 32 forward channels (pilot, paging, sync, and 29 traffic channels) at IS-97-defined power levels.

FWD64 This CDMA setup consists of 64 forward channels (pilot, 7 paging, sync, and 55 traffic channels) at IS-97-defined power levels.

PILot This choice selects single pilot channel.

CUSTom,"<file name>" This choice selects a custom user-defined CDMA setup.

" " A null string, entered for any non-custom carrier.

*RST	carrier type: FWD9 <freq_offset>: +1.25000000E+006 <power>: +0.00000000E+000
Range	<freq_offset>: -7.5E6 to 7.5E6 <power>: -40 to 0
Key Entry	9 Ch Fwd 32 Ch Fwd 64 Ch Fwd Pilot Custom CDMA State
Remarks	Refer to “ File Name Variables ” on page 13 for information on the file name syntax. To store a multicarrier setup refer to “ :SETup:MCARrier:STORE ” on page 231 The file name specified must be a single carrier CDMA file.

:SETup:STORE

Supported E4438C with Option 401

```
[ :SOURCE ] : RADIO : CDMA : ARB : SETup : STORE "<file name>"
```

This command stores the current custom CDMA state, using a designated file name, to the signal generator non-volatile memory.

Along with the contents of the CDMA channel table editor (channel types, Walsh code, power levels, PN offset, and data), this command stores the following information to the signal generator non-volatile memory:

- FIR filter
- FIR filter file name
- FIR filter alpha
- FIR filter BbT
- FIR filter channel (EVM or ACP)
- chip rate
- waveform length
- oversample ratio
- ARB reference clock source (internal or external)
- ARB reference clock frequency

Key Entry **Store Custom CDMA State**

Remarks Recall the stored file by executing the following command:

```
[ :SOURCE ] : RADIO : CDMA : ARB : SETup : "<file name>"
```

Refer to “[File Name Variables](#)” on page 13 for information on the file name syntax.

:TRIGger:TYPE

Supported E4438C with Option 401

```
[ :SOURce ]:RADio:CDMA:ARB:TRIGger:TYPE CONTInuous | SINGle | GATE  
[ :SOURce ]:RADio:CDMA:ARB:TRIGger:TYPE?
```

This command sets the trigger mode (type) that controls the waveform’s playback.

Triggers control the playback by telling the ESG when to play the modulating signal (waveform). Depending on the trigger settings for the ESG, the waveform playback can occur once, continuously, or the ESG may start and stop playing the waveform repeatedly (GATE mode).

A trigger signal comprises both positive and negative signal transitions (states), which are also called high and low periods. You can configure the ESG to trigger on either state of the trigger signal. It is common to have multiple triggers, also referred to as trigger occurrences or events, occur when the signal generator requires only a single trigger. In this situation, the ESG recognizes the first trigger and ignores the rest.

When you select a trigger mode, you may lose the signal (carrier plus modulating) from the RF output until you trigger the waveform. This is because the ESG sets the I and Q signals to zero volts prior to the first trigger event, which suppresses the carrier. After the first trigger event, the waveform’s final I and Q levels determine whether you will see the carrier signal or not (zero = no carrier, other values = carrier visible). At the end of most files, the final I and Q points are set to a value other than zero.

There are four parts to configuring the trigger:

- Choosing the trigger type, which controls the waveform’s transmission.
- Setting the waveform’s response to triggers:
 - CONTInuous, see “:TRIGger:TYPE:CONTInuous[:TYPE]” on page 234
 - SINGle, see “:RETRigger” on page 227
 - GATE, selecting the mode also sets the response
- Selecting the trigger source (see “:TRIGger[:SOURce]” on page 235), which determines how the ESG receives its trigger signal, internally or externally. The GATE choice requires an external trigger.
- Setting the trigger polarity when using an external source:
 - CONTInuous and SINGle see “:TRIGger[:SOURce]:EXTErnal:SLOPe” on page 237
 - GATE, see “:TRIGger:TYPE:GATE:ACTive” on page 235

For more information on triggering, see the *E4428C/38C ESG Signal Generators User’s Guide*.

The following list describes the trigger type command choices:

CONTInuous Upon triggering, the waveform repeats continuously.

SINGLE	Upon triggering, the waveform segment or sequence plays once.
GATE	An external trigger signal repeatedly starts and stops the waveform’s playback (transmission). The time duration for playback depends on the duty period of the trigger signal and the gate polarity selection (see “:TRIGger:TYPE:GATE:ACTive” on page 235). The waveform plays during the inactive state and stops during the active polarity selection state. The active state can be set high or low. The gate mode works only with an external trigger source.

NOTE The ARB gating behavior described above is opposite to the gating behavior for real-time custom mode.

*RST	CONT
Key Entry	Continuous Single Gated

:TRIGger:TYPE:CONTInuous[:TYPE]

Supported E4438C with Option 401

```
[ :SOURCE ] :RADio:CDMA:ARB:TRIGger:TYPE:CONTInuous [ :TYPE ] FREE | TRIGger |
RESet
[ :SOURCE ] :RADio:CDMA:ARB:TRIGger:TYPE:CONTInuous [ :TYPE ] ?
```

This commands selects the waveform’s response to a trigger signal while using the continuous trigger mode.

For more information on triggering and to select the continuous trigger mode, see [“:TRIGger:TYPE” on page 233](#).

The following list describes the waveform’s response to each of the command choices:

FREE	Turning the ARB format on immediately triggers the waveform. The waveform repeats until you turn the format off, select another trigger, or choose another waveform file.
TRIGger	The waveform waits for a trigger before play begins. When the waveform receives the trigger, it plays continuously until you turn the format off, select another trigger, or choose another waveform file.
RESet	The waveform waits for a trigger before play begins. When the waveform receives the trigger, it plays continuously. Subsequent triggers reset the waveform to the beginning. For a waveform sequence, this means to the beginning of the first segment in the sequence.

*RST	FREE		
Key Entry	Free Run	Trigger & Run	Reset & Run

:TRIGger:TYPE:GATE:ACTive

Supported E4438C with Option 401

```
[ :SOURce ] :RADio:CDMA:ARB:TRIGger:TYPE:GATE:ACTive LOW|HIGH
[ :SOURce ] :RADio:CDMA:ARB:TRIGger:TYPE:GATE:ACTive?
```

This command selects the active state (gate polarity) of the gate while using the gating trigger mode.

The LOW and HIGH selections correspond to the low and high states of an external trigger signal. For example, when you select HIGH, the active state occurs during the high of the trigger signal. When the active state occurs, the ESG stops the waveform playback at the last played sample point, then restarts the playback at the next sample point when the inactive state occurs. For more information on triggering and to select gating as the trigger mode, see “:TRIGger:TYPE” on page 233.

The following list describes the ESG’s gating behavior for the polarity selections:

- LOW The waveform playback stops when the trigger signal goes low (active state) and restarts when the trigger signal goes high (inactive state).
- HIGH The waveform playback stops when the trigger signal goes high (active state) and restarts when the trigger signal goes low (inactive state).

*RST	HIGH
Key Entry	Gate Active Low High

:TRIGger[:SOURce]

Supported E4438C with Option 401

```
[ :SOURce ] :RADio:CDMA:ARB:TRIGger[ :SOURce ] KEY|EXT|BUS
[ :SOURce ] :RADio:CDMA:ARB:TRIGger[ :SOURce ]?
```

This command sets the trigger source.

For more information on triggering, see “:TRIGger:TYPE” on page 233. The following list describes the command choices:

- KEY This choice enables manual triggering by pressing the front-panel **Trigger** hardkey.
- EXT An externally applied signal triggers the waveform. This is the only choice that works with gating. The following conditions affect an external trigger:

- The input connector selected for the trigger signal. You have a choice between the rear-panel PATTERN TRIG IN connector or the PATT TRIG IN 2 pin on the rear-panel AUXILIARY I/O connector. To make the connector selection, see “[:TRIGger[:SOURCE]:EXTErnal[:SOURCE]]” on page 238.

For more information on the connectors and on connecting the cables, see the *E4428C/38C ESG Signal Generators User’s Guide*.

- The trigger signal polarity:
 - gating mode, see “[:TRIGger:TYPE:GATE:ACTive]” on page 235
 - continuous and single modes, see “[:TRIGger[:SOURCE]:EXTErnal:SLOPe]” on page 237
- The time delay between when the ESG receives a trigger and when the waveform responds to the trigger. There are two parts to setting the delay:
 - setting the amount of delay, see “[:TRIGger[:SOURCE]:EXTErnal:DELAy]” on page 236
 - turning the delay on, see “[:TRIGger[:SOURCE]:EXTErnal:DELAy:STATe]” on page 237

BUS This choice enables triggering over the GPIB or LAN using the *TRG or GET commands or the AUXILIARY INTERFACE (RS-232) using the *TRG command.

***RST** KEY

Key Entry	Trigger Key	Ext	Bus
-----------	-------------	-----	-----

:TRIGger[:SOURCE]:EXTErnal:DELAy

Supported E4438C with Option 401

```
[ :SOURCE ] :RADio:CDMA:ARB:TRIGger [ :SOURCE ] :EXTErnal:DELAy <val>
```

```
[ :SOURCE ] :RADio:CDMA:ARB:TRIGger [ :SOURCE ] :EXTErnal:DELAy?
```

This command sets the amount of time to delay the ESG’s response to an external trigger.

The delay is a path (time) delay between when the ESG receives the trigger and when it responds to the trigger. For example, configuring a trigger delay of two seconds, causes the ESG to wait two seconds after receipt of the trigger before the ESG plays the waveform.

The delay does not occur until you turn it on (see “[:TRIGger[:SOURCE]:EXTErnal:DELAy:STATe]” on page 237). You can set the delay value either before or after turning it on.

For more information on configuring an external trigger source and to select external as the trigger source, see “[:TRIGger[:SOURCE]]” on page 235.

The unit of measurement for the variable <val> is in seconds (nsec–sec).

***RST** +1.00000000E–003
Range 1E–8 to 4E1
Key Entry Ext Delay Time

:TRIGger[:SOURce]:EXTernal:DELay:STATe

Supported E4438C with Option 401

```
[ :SOURce ] :RADio:CDMA:ARB:TRIGger[ :SOURce ] :EXTernal:DELay:STATe ON|OFF |
1 | 0
[ :SOURce ] :RADio:CDMA:ARB:TRIGger[ :SOURce ] :EXTernal:DELay:STATe?
```

This command enables or disables the operating state of the external trigger delay function.

For setting the delay time, see “:TRIGger[:SOURce]:EXTernal:DELay” on page 236, and for more information on configuring an external source, see “:TRIGger[:SOURce]” on page 235.

***RST** 0
Key Entry Ext Delay Off On

:TRIGger[:SOURce]:EXTernal:SLOPe

Supported E4438C with Option 401

```
[ :SOURce ] :RADio:CDMA:ARB:TRIGger[ :SOURce ] :EXTernal:SLOPe POSitive|
NEGative
[ :SOURce ] :RADio:CDMA:ARB:TRIGger[ :SOURce ] :EXTernal:SLOPe?
```

This command sets the polarity for an external trigger signal while using the continuous, single triggering mode. To set the polarity for gating, see “:TRIGger:TYPE:GATE:ACTive” on page 235.

The POSitive and NEGative selections correspond to the high (positive) and low (negative) states of the external trigger signal. For example, when you select POSitive, the waveform responds (plays) during the high state of the trigger signal. When the ESG receives multiple trigger occurrences when only one is required, the signal generator uses the first trigger and ignores the rest.

For more information on configuring an external trigger source and to select external as the trigger source, see “:TRIGger[:SOURce]” on page 235.

***RST** NEG
Key Entry Ext Polarity Neg Pos

:TRIGger[:SOURCE]:EXTernal[:SOURCE]**Supported** E4438C with Option 401

```
[ :SOURCE ] :RADio:CDMA:ARB:TRIGger[ :SOURCE ] :EXTernal[ :SOURCE ] EPT1 | EPT2 |
EPTRIGGER1 | EPTRIGGER2
[ :SOURCE ] :RADio:CDMA:ARB:TRIGger[ :SOURCE ] :EXTernal[ :SOURCE ] ?
```

This command selects which PATTERN TRIG IN connection the ESG uses to accept an externally applied trigger signal when external is the trigger source selection.

For more information on configuring an external trigger source and to select external as the trigger source, see “:TRIGger[:SOURCE]” on page 235. For more information on the rear-panel connectors, see the *E4428C/38C ESG Signal Generators User’s Guide*.

The following list describes the command choices:

EPT1	This choice is synonymous with EPTRIGGER1 and selects the PATTERN TRIG IN rear-panel connector.
EPT2	This choice is synonymous with EPTRIGGER2 and selects the PATT TRIG IN 2 pin on the rear-panel AUXILIARY I/O connector.
EPTRIGGER1	This choice is synonymous with EPT1 and selects the PATTERN TRIG IN rear-panel connector.
EPTRIGGER2	This choice is synonymous with EPT2 and selects the PATT TRIG IN 2 pin on the rear-panel AUXILIARY I/O connector.
*RST	EPT1
Key Entry	Patt Trig In 1 Patt Trig In 2

:WLENgth**Supported** E4438C with Option 401

```
[ :SOURCE ] :RADio:CDMA:ARB:WLENgth <val>
[ :SOURCE ] :RADio:CDMA:ARB:WLENgth?
```

This command specifies the waveform length (in short codes).

***RST** +1**Range** 1–6**Key Entry** Waveform Length

Remarks The upper limit is adjusted based on the oversample ratio to fit the signal within the available memory.

The maximum waveform length is 32/oversample ratio.

[:STATe]

Supported E4438C with Option 401

[:SOURCE]:RADIO:CDMA:ARB[:STATe] ON|OFF|1|0

[:SOURCE]:RADIO:CDMA:ARB[:STATe]?

This command enables or disables the CDMA modulation format.

Executing the command [:SOURCE]:RADIO:CDMA:ARB[:STATe] ON sets up the internal hardware to generate the currently selected CDMA signal selection. This also activates the I/Q state and sets the I/Q source to internal.

ON (1) This choice sets up the internal hardware to generate the currently selected CDMA signal selection. This also activates the I/Q state and sets the I/Q source to internal.

OFF (0) This choice disables the CDMA modulation format.

***RST** 0

Key Entry CDMA Off On

Remarks The enabled modulation is not present on RF carrier until you have activated the modulation by executing the command :OUTPut:MODulation[:STATe] ON.

Overriding the I/Q state and I/Q source functions can be achieved by using the I/Q menu.

CDMA2000 ARB Subsystem–Option 401 ([:SOURce]:RADio:CDMA2000:ARB)

:CLIPping:I

Supported E4438C with Option 401

[:SOURce] :RADio:CDMA2000:ARB:CLIPping:I <val>

[:SOURce] :RADio:CDMA2000:ARB:CLIPping:I?

This command clips (limits) the modulation level of the waveform's I component to a percentage of full scale.

The variable <val> is expressed in units of percent.

***RST** +1.00000000E+002

Range 10–100

Key Entry Clip |I| To

:CLIPping:POSition

Supported E4438C with Option 401

[:SOURce] :RADio:CDMA2000:ARB:CLIPping:POSition PRE|POST

[:SOURce] :RADio:CDMA2000:ARB:CLIPping:POSition?

This command specifies whether a waveform is clipped before (PRE) or after (POST) FIR filtering.

***RST** PRE

Key Entry Clip At PRE POST FIR Filter

:CLIPping:Q

Supported E4438C with Option 401

[:SOURce] :RADio:CDMA2000:ARB:CLIPping:Q <val>

[:SOURce] :RADio:CDMA2000:ARB:CLIPping:Q?

This command clips (limits) the modulation level of the waveform's Q component to a percentage of full scale.

The variable <val> is expressed in units of percent.

***RST** +1.00000000E+002

Range 10–100

Key Entry Clip |Q| To

:CLIPping:TYPE

Supported E4438C with Option 401

```
[ :SOURce ]:RADio:CDMA2000:ARB:CLIPping:TYPE IJQ | IORQ  
[ :SOURce ]:RADio:CDMA2000:ARB:CLIPping:TYPE?
```

This command selects either IJQ or IORQ as the clipping type.

IJQ This choice clips (circular clipping) the combined I and Q waveform.

IORQ This choice independently clips (rectangular clipping) I and Q components of the waveform. I and Q can be clipped to different levels using this mode.

***RST** IORQ

Key Entry Clipping Type |I+jQ| |I|,|Q|

:CLIPping[:IJQ]

Supported E4438C with Option 401

```
[ :SOURce ]:RADio:CDMA2000:ARB:CLIPping[: IJQ] <val>  
[ :SOURce ]:RADio:CDMA2000:ARB:CLIPping[: IJQ]?
```

This command clips (limits) the modulation level of the combined I and Q waveform to a percentage of full scale.

The variable <val> is expressed in units of percent.

***RST** +1.00000000E+002

Range 10–100

Key Entry Clip |I+jQ| To

:IQ:EXtErnal:FILTer

Supported E4438C with Option 401

```
[ :SOURce ]:RADio:CDMA2000:ARB:IQ:EXtErnal:FILTer 40e6 | THRough  
[ :SOURce ]:RADio:CDMA2000:ARB:IQ:EXtErnal:FILTer?
```

This command selects the filter or through path for I/Q signals routed to the rear panel I and Q outputs. Selecting a filter using this command will automatically set “:IQ:EXtErnal:FILTer:AUTO” on [page 242](#) to OFF(0) mode.

40e6 This choice applies a 40 MHz baseband filter.

THRough This choice bypasses filtering.

***RST** THR
Key Entry 40.000 MHz Through

:IQ:EXtErnal:FILTer:AUTO

Supported E4438C with Option 401

```
[ :SOURce ] :RADio :ARB :IQ :EXtErnal :FILTer :AUTO ON | OFF | 1 | 0
[ :SOURce ] :RADio :ARB :IQ :EXtErnal :FILTer :AUTO ?
```

This command enables or disables the automatic selection of the filters for I/Q signals routed to the rear panel I/Q outputs.

ON(1) This choice will automatically select a digital modulation filter optimized for the current signal generator settings.

OFF(0) This choice disables the auto feature which lets you select a digital modulation filter or through path. Refer to “[:IQ:EXtErnal:FILTer](#)” on page 241 for selecting a filter or through path.

***RST** 1

Key Entry I/Q Output Filter Manual Auto

:FILTer

Supported E4438C with Option 401

```
[ :SOURce ] :RADio :CDMA2000 :ARB :FILTer RNYQuist | NYQuist | GAUSSian | RECTangle |
IS95 | IS95_EQ | IS95_MOD | IS95_MOD_EQ | AC4Fm | WCDMA | IS2000SR3DS | UGGaussian |
"<user FIR>"
[ :SOURce ] :RADio :CDMA2000 :ARB :FILTer ?
```

This command selects the pre-modulation filter type.

IS95 This choice selects a filter that meets the criteria of the IS-95 standard.

IS95_EQ This choice selects a filter which is a combination of the IS-95 filter (above) and the equalizer filter described in the IS-95 standard. This filter is only used for IS-95 baseband filtering.

IS95_MOD This choice selects a filter that meets the criteria of the IS-95 error function (for improved adjacent channel performance) with lower passband rejection than the filter specified in the IS-95 standard.

IS95_MOD_EQ This choice selects a filter which is a combination of the equalizer filter described in the IS-95 standard and a filter that meets the criteria of the IS-95 error function (for improved adjacent channel performance), with lower passband rejection.

WCDMa	This choice selects a 0.22 Nyquist filter optimized for ACP.																		
AC4Fm	This choice selects the Association of Public Safety Communications Officials (APCO) specified compatible 4-level frequency modulation (C4FM) filter.																		
IS2000SR3DS	This choice selects an IS-2000 standard, spread rate 3 direct spread filter.																		
UGGaussian	This choice selects a backwards compatible GSM Gaussian filter (Gaussian filter with a fixed BbT value of 0.300) for the ESG E44xxB Option UN3 or UN4.																		
" <user FIR> "	This variable is any FIR filter file that you have stored in memory. The variable needs no directory path indicating the location of the file, such as FIR: or /USER/FIR. The command assumes the FIR directory. Refer to “File Name Variables” on page 13 for more information on file names.																		
*RST	IS95_MOD_EQ																		
Key Entry	<table border="0" style="width: 100%;"> <tr> <td>Root Nyquist</td> <td>Nyquist</td> <td>Gaussian</td> <td>Rectangle</td> <td>IS-95</td> <td>IS-95 w/EQ</td> </tr> <tr> <td>IS-95 Mod</td> <td>IS-95 Mod w/EQ</td> <td>APCO 25 C4FM</td> <td>WCDMA</td> <td></td> <td></td> </tr> <tr> <td>UN3/4 GSM Gaussian</td> <td>IS-2000 SR3 DS</td> <td>User FIR</td> <td></td> <td></td> <td></td> </tr> </table>	Root Nyquist	Nyquist	Gaussian	Rectangle	IS-95	IS-95 w/EQ	IS-95 Mod	IS-95 Mod w/EQ	APCO 25 C4FM	WCDMA			UN3/4 GSM Gaussian	IS-2000 SR3 DS	User FIR			
Root Nyquist	Nyquist	Gaussian	Rectangle	IS-95	IS-95 w/EQ														
IS-95 Mod	IS-95 Mod w/EQ	APCO 25 C4FM	WCDMA																
UN3/4 GSM Gaussian	IS-2000 SR3 DS	User FIR																	

:FILTer:ALPHa

Supported E4438C with Option 401

```
[ :SOURce ] :RADio :CDMA2000 :ARB :FILTer :ALPHa <val>
[ :SOURce ] :RADio :CDMA2000 :ARB :FILTer :ALPHa ?
```

This command changes the Nyquist or root Nyquist filter alpha value.

The filter alpha value can be set to the minimum level (0), the maximum level (1), or in between by using fractional numeric values (0.001–0.999).

***RST** +5.00000000E–001

Range 0.000–1.000

Key Entry Filter Alpha

Remarks To change the current filter type, refer to [“:FILTer” on page 242](#).

:FILTer:BBT

Supported E4438C with Option 401

```
[ :SOURce ]:RADio:CDMA2000:ARB:FILTer:BBT <val>
```

```
[ :SOURce ]:RADio:CDMA2000:ARB:FILTer:BBT?
```

This command changes the bandwidth-multiplied-by-bit-time (BbT) filter parameter.

The filter BbT value can be set to the minimum level (0), the maximum level (1), or in between by using fractional numeric values (0.001–0.999).

***RST** +5.00000000E–001

Range 0.000–1.000

Key Entry Filter BbT

Remarks This command is effective only after choosing a Gaussian filter. It does not have an effect on other types of filters.

To change the current filter type, refer to “:FILTer” on page 242.

:FILTer:CHANnel

Supported E4438C with Option 401

```
[ :SOURce ]:RADio:CDMA2000:ARB:FILTer:CHANnel EVM|ACP
```

```
[ :SOURce ]:RADio:CDMA2000:ARB:FILTer:CHANnel?
```

This command optimizes the Nyquist and root Nyquist filters to minimize error vector magnitude (EVM) or to minimize adjacent channel power (ACP).

EVM This choice provides the most ideal passband.

ACP This choice improves stopband rejection.

***RST** EVM

Key Entry Optimize FIR For EVM ACP

Remarks To change the current filter type, refer to “:FILTer” on page 242.

:HEADer:CLEAr

Supported E4438C with Option 401

[:SOURce] :RADio :CDMA2000 :ARB :HEADer :CLEAr

This command clears the header information from the file header used by this modulation format.

Key Entry Clear Header

Remarks The CDMA2000 Off On softkey must be set to On for this command to function.

:HEADer:SAVE

Supported E4438C with Option 401

[:SOURce] :RADio :CDMA2000 :ARB :HEADer :SAVE

This command saves the header information to the file header used by this modulation format.

Key Entry Save Setup To Header

Remarks The CDMA2000 Off On softkey must be set to On for this command to function.

:IQ:MODulation:ATTen

Supported E4438C with Option 401

[:SOURce] :RADio :CDMA2000 :ARB :IQ :MODulation :ATTen <val>

[:SOURce] :RADio :CDMA2000 :ARB :IQ :MODulation :ATTen?

This command attenuates the I/Q signals being modulated through the signal generator RF path.

The variable <val> is expressed in units of decibels (dB).

***RST** +2.00000000E+000

Range 0–40

Key Entry Modulator Atten Manual Auto

:IQ:MODulation:ATTen:AUTO**Supported** E4438C with Option 401

```
[:SOURce]:RADio:CDMA2000:ARB:IQ:MODulation:ATTen:AUTO ON|OFF|1|0
[:SOURce]:RADio:CDMA2000:ARB:IQ:MODulation:ATTen:AUTO?
```

This command enables or disables the I/Q attenuation auto mode.

ON (1) This choice enables the attenuation auto mode which optimizes the modulator attenuation for the current conditions.

OFF (0) This choice holds the attenuator at its current setting or at a selected value. Refer to “:IQ:MODulation:ATTen” on page 245 for setting the attenuation value.

***RST** 1

Key Entry Modulator Atten Manual Auto

:IQ:MODulation:FILTer**Supported** E4438C with Option 401

```
[:SOURce]:RADio:CDMA2000:ARB:IQ:MODulation:FILTer 2.1e6|40e6|THROUGH
[:SOURce]:RADio:CDMA2000:ARB:IQ:MODulation:FILTer?
```

This command enables you to select a filter or through path for I/Q signals modulated onto the RF carrier. Selecting a filter using this command will automatically set “:IQ:MODulation:FILTer:AUTO” on page 246 to OFF(0) mode.

2.1E6 This choice applies a 2.1 MHz baseband filter to the I/Q signals.

40E6 This choice applies a 40 MHz baseband filter to the I/Q signals.

THROUGH This choice bypasses filtering.

***RST** THR

Key Entry 2.100 MHz 40.000 MHz Through

:IQ:MODulation:FILTer:AUTO**Supported** E4438C with Option 401

```
[:SOURce]:RADio:CDMA2000:ARB:IQ:MODulation:FILTer:AUTO ON|OFF|1|0
[:SOURce]:RADio:CDMA2000:ARB:IQ:MODulation:FILTer:AUTO?
```

This command enables or disables the automatic selection of the filters for I/Q signals modulated onto the RF carrier.

ON(1) This choice will automatically select a digital modulation filter.

OFF(0) This choice disables the auto feature which lets you select a digital modulation filter or through path. Refer to “:IQ:MODulation:FILTer” on page 246 for selecting a filter or through path.

*RST 1

Key Entry I/Q Mod Filter Manual Auto

:IQMap

Supported E4438C with Option 401

```
[ :SOURce ]:RADio:CDMA2000:ARB:IQMap NORMal | INVerted
[ :SOURce ]:RADio:CDMA2000:ARB:IQMap?
```

This command selects whether the Q output will be normal or inverted.

NORMal This choice selects normal polarity.

INVerted This choice inverts the internal Q signal.

*RST NORM

Key Entry I/Q Mapping Normal Invert

Remarks Inverting the Q output inverts the RF spectrum after the modulation.

:LINK

Supported E4438C with Option 401

```
[ :SOURce ]:RADio:CDMA2000:ARB:LINK FORWard | REVerse
[ :SOURce ]:RADio:CDMA2000:ARB:LINK?
```

This command selects the CDMA2000 forward or reverse link channel setup.

FORW This choice selects a basestation to mobile configuration.

REV This choice selects a mobile to basestation configuration.

*RST FORW

Key Entry Link Forward Reverse

:LINK:FORWard:SETup

Supported E4438C with Option 401

```
[ :SOURce ]:RADio:CDMA2000:ARB:LINK:FORWard:SETup S1Pilot | S3DPilot |
S3MPilot | S19Chan | S3D9chan | S3M9chan | MCArrier | "<file name>"
[ :SOURce ]:RADio:CDMA2000:ARB:LINK:FORWard:SETup?
```

This command selects a previously defined channel configuration for the CDMA2000 forward link or multicarrier, and turns multicarrier off or on (see the MCARrier choice description).

S1Pilot	This choice selects a spread rate 1, pilot-channel setup.										
S3DPilot	This choice selects a spread rate 3, direct spread, pilot-channel setup.										
S3MPilot	This choice selects a spread rate 3, multicarrier spread, pilot-channel setup.										
S19Chan	This choice selects a spread rate 1, 9-channel setup.										
S3D9Chan	This choice selects a spread rate 3, direct spread, 9-channel setup.										
S3M9Chan	This choice selects a spread rate 3, multicarrier spread, 9-channel setup.										
MCARrier	This choice selects multicarrier and turns it on. Selecting any other setup such as S1Pilot or S3D9Chan turns multicarrier off. To select the multicarrier setup, see “:LINK:FORWARD:SETup:MCARrier” .										
*RST	S19C										
Key Entry	<table border="0"> <tr> <td>Pilot</td> <td>9 Channel</td> <td>Spread Rate 1</td> <td>Spread Rate 3</td> <td>Multicarrier Off On</td> </tr> <tr> <td>Spreading Type</td> <td>Direct</td> <td>Mcarrier</td> <td>Custom</td> <td>CDMA2000 Carrier</td> </tr> </table>	Pilot	9 Channel	Spread Rate 1	Spread Rate 3	Multicarrier Off On	Spreading Type	Direct	Mcarrier	Custom	CDMA2000 Carrier
Pilot	9 Channel	Spread Rate 1	Spread Rate 3	Multicarrier Off On							
Spreading Type	Direct	Mcarrier	Custom	CDMA2000 Carrier							
Remarks	Refer to “File Name Variables” on page 13 for information on the file name syntax.										

:LINK:FORWARD:SETup:MCARrier

Supported E4438C with Option 401

```
[ :SOURce ] :RADio :CDMA2000 :ARB :LINK :FORWARD :SETup :MCARrier CAR2 | CAR3 | CAR4 |
"<file name>"
[ :SOURce ] :RADio :CDMA2000 :ARB :LINK :FORWARD :SETup :MCARrier?
```

This command defines the type of multicarrier CDMA2000 setup.

CAR2	<p>This choice specifies the following standard 2-carrier setup:</p> <p>Carrier 1: spread rate 3, direct spread, 9 channel; –2.5 MHz frequency offset; 0 dB power</p> <p>Carrier 2: spread rate 3, direct spread, 9 channel; 2.5 MHz frequency offset; 0 dB power</p>
CAR3	<p>This choice specifies the following standard 3-carrier setup:</p> <p>Carrier 1: spread rate 1, 9 channel; –1.25 MHz frequency offset; 0 dB power</p> <p>Carrier 2: spread rate 1, 9 channel; 0 kHz frequency offset; 0 dB power</p> <p>Carrier 3: spread rate 1, 9 channel; 1.25 MHz frequency offset; 0 dB power</p>

CAR4	This choice specifies the following standard 2-carrier setup: Carrier 1: spread rate 1, 9 channel; –1.875 MHz frequency offset; 0 dB power Carrier 2: spread rate 1, 9 channel; –625 kHz frequency offset; 0 dB power Carrier 3: spread rate 1, 9 channel; 625 kHz frequency offset; 0 dB power Carrier 4: spread rate 1, 9 channel; 1.875 MHz frequency offset; 0 dB power
*RST	CAR2
Key Entry	2 SR3 Carriers 3 Carriers 4 Carriers Custom CDMA2000 Multicarrier
Remarks	Refer to “File Name Variables” on page 13 for information on the file name syntax.

:LINK:FORWARD:SETup:MCARrier:STORE

Supported E4438C with Option 401

```
[ :SOURce ]:RADio:CDMA2000:ARB:LINK:FORWARD:SETup:MCARrier:
STORE "<file name>"
```

This command stores the current multicarrier setup information.

The stored file contains information including the digital modulation format, number of carriers, frequency spacing, and power settings for the multicarrier setup.

Key Entry Store Custom Multicarrier

Remarks Recall stored files from memory by executing the following command:

```
[ :SOURce ]:RADio:CDMA2000:ARB:LINK:FORWARD:SETup:
MCARrier "<file name>"
```

Refer to [“File Name Variables” on page 13](#) for information on the file name syntax.

:LINK:FORWARD:SETup:MCARrier:TABLE

Supported E4438C with Option 401

```
[ :SOURce ]:RADio:CDMA2000:ARB:LINK:FORWARD:SETup:MCARrier:TABLE INIT |
APPend |<chan_num>, S1Pilot | S3DPilot | S3MPilot | S19Chan | S3D9chan | S3M9chan |
"<file name>", <freq_offset>, <power>
[ :SOURce ]:RADio:CDMA2000:ARB:LINK:FORWARD:SETup:MCARrier:
TABLE? <chan_num>
```

This command defines the multicarrier CDMA2000 waveform.

The variable <freq_offset> is expressed in units of Hertz (MHz).

The variable <power> is expressed in units of decibels (dB).

Channel type, frequency offset, and power level are returned when a query is initiated. The output format is as follows:

<channel type> , <freq_offset> , <power>

INIT	This choice clears the current information and creates a new one-row table, allowing for further definition using additional parameters.				
APPend	This choice adds rows to an existing table. The maximum number of rows for one table is 25.				
S1Pilot	This choice sets a single SR1 Pilot forward channel.				
S3DPilot	This choice sets a single direct spread pilot forward channel.				
S3MPilot	This choice sets a single SR3 multicarrier spread pilot forward channel.				
S19Chan	This choice sets a SR1 9 forward channel.				
S3D9chan	This choice sets a SR3 direct spread forward channel.				
S3M9chan	This choice sets a SR3 multicarrier spread 9 forward channel.				
*RST	channel type: S3D9CHAN <freq_offset>: -2.50000000E+006 <power>: +0.00000000E+000				
Range	<freq_offset>: -15E6 to 15E6 <power>: -40 to 0				
Key Entry	Select File	Insert Row	SR1 Pilot	SR3 Direct Pilot	SR3 Mcarrier Pilot
	SR3 Mcarrier Pilot	SR1 9 Channel	SR3 Direct 9 Channel		
	SR3 Mcarrier 9 Channel		Custom CDMA2000 Carrier		
Field Entry	Freq Offset		Power		
Remarks	Refer to “File Name Variables” on page 13 for information on the file name syntax.				

:LINK:FORWARD:SETup:MCARrier:TABLE:NCARriers

Supported E4438C with Option 401

[:SOURce] :RADio:CDMA2000:ARB:LINK:FORWARD:SETup:MCARrier:TABLE:NCARriers?

This command queries the number of carriers specified for the multicarrier CDMA2000 waveform.

***RST** +2

:LINK:FORWARD:SETUP:STORE

Supported E4438C with Option 401

```
[ :SOURCE ] : RADIO : CDMA2000 : ARB : LINK : FORWARD : SETUP : STORE "<file name>"
```

This command stores the current custom CDMA2000 state, using a designated file name, to the signal generator memory.

Along with the contents of the CDMA2000 channel table editor (channel types, Walsh code, power levels, PN offset, and data), this command stores the following information to the signal generator memory:

- FIR filter
- FIR filter file name
- FIR filter alpha
- FIR filter BbT
- FIR filter channel (EVM or ACP)
- I/Q mapping
- link
- spread type
- spread rate
- ARB reference clock source (internal or external)
- ARB reference clock frequency
- clipping
- multicarrier spacing
- radio configuration

Key Entry Store Custom CDMA State

Remarks Recall this stored file by executing the following command:

```
[ :SOURCE ] : RADIO : CDMA2000 : ARB : LINK : FORWARD :  
SETUP "<file name>"
```

Refer to [“File Name Variables” on page 13](#) for information on the file name syntax.

:LINK:FORWARD:SETUP:TABLE:APPLY

Supported E4438C with Option 401

```
[ :SOURCE ] : RADIO : CDMA2000 : ARB : LINK : FORWARD : SETUP : TABLE : APPLY
```

This command generates a CDMA2000 signal based on the current values in the CDMA2000 channel setup table editor.

Key Entry Apply Channel Setup

:LINK:FORWARD:SETup:TABLE:CHANnel**Supported** E4438C with Option 401

```
[ :SOURce ] :RADio :CDMA2000 :ARB :LINK :FORWARD :SETup :TABLE :CHANnel INIT |
APPend | <chan_num> , <chan_type> , <config> , <data_rate> , <walsh> , <power> ,
<pn_offset> , RANDom | <data_val>
[ :SOURce ] :RADio :CDMA2000 :ARB :LINK :FORWARD :SETup :TABLE :
CHANnel? <chan_num>
```

This command defines the channel parameters of the CDMA2000 signal.

The variable <power> is expressed in units of decibels (dB).

The variable <data_rate> is expressed in units bits per second (bps).

The channel type, configuration type, data rate, walsh code, power, pn offset, and data value are returned when a query is initiated. The output format is as follows:

```
<chan_type>,<config>,<data_rate>,<walsh>,<power>,<pn_offset>,<data_val>
```

INIT This choice clears the current information and creates a new one-row table, allowing for further definition using additional parameters.

APPend This choice adds rows to an existing table.

RANDom This choice selects a randomly generated data value.

<data_val> This variable specifies a specific data value.

***RST** channel type: PIL <config>: +3 <data_rate>: +3.84000000E+004
<walsh>: +0 <power>: -7.00000000E+000 <pn_offset>: +0
<data_val>: 0

Range <data_rate>: 1500–307200 <walsh>: 0–63 <power>: –40 to 0
<pn_offset>: 0–511 <data_val>: 0000000–11111111

Key Entry Edit Channel Setup Insert Row Config Rate
Walsh Code PN Offset

Remarks Queries initiated for this command must be followed by a specific channel number.

The above *RST value represents a query of channel one.

:LINK:FORWARD:SETup:TABLE:NCHannels

Supported E4438C with Option 401

[:SOURCE] :RADIO:CDMA2000:ARB:LINK:FORWARD:SETup:TABLE:NCHannels?

This command queries the number of channels specified for the CDMA2000 link setup.

***RST** +9

:LINK:FORWARD:SETup:TABLE:PADJust

Supported E4438C with Option 401

[:SOURCE] :RADIO:CDMA2000:ARB:LINK:FORWARD:SETup:TABLE:PADJust EQUAL | SCALE

This command sets the code domain power (the relative power in each of the channels).

EQUAL Sets all channels to equal power, and the total power to 0 dB.

SCALE Scales all of the current channel powers so that the total power equals 0 dB, keeping the previous power ratios between the individual channels.

Key Entry Equal Powers Scale To 0dB

:LINK:REVERSE:RCONfig

Supported E4438C with Option 401

[:SOURCE] :RADIO:CDMA2000:ARB:LINK:REVERSE:RCONfig <val>

[:SOURCE] :RADIO:CDMA2000:ARB:LINK:REVERSE:RCONfig?

This command sets the radio configuration for all reverse link channels.

***RST** +1

Range 1–4

Key Entry Radio Config

Remarks Changing the radio configuration results in changes to the channel data rate.

:LINK:REVerse:SETup**Supported** E4438C with Option 401

```
[ :SOURce ]:RADio:CDMA2000:ARB:LINK:REVerse:SETup S1Pilot|S3Pilot|
S15Chan|S35Chan|S18Chan| "<file name>"
[ :SOURce ]:RADio:CDMA2000:ARB:LINK:REVerse:SETup?
```

This command selects a previously defined channel configuration for the CDMA2000 reverse link.

S1Pilot This choice selects a spread rate 1, pilot-channel setup.

S3Pilot This choice selects a spread rate 3, pilot-channel setup.

S15Chan This choice selects a spread rate 1, 5-channel setup.

S35Chan This choice selects a spread rate 3, 5-channel setup.

S18Chan This choice selects a spread rate 1, 8-channel setup.

***RST** S15Chan

Key Entry	Pilot	5 Channel	8 Channel	Custom CDMA2000 State
	Spread Rate 1		Spread Rate 3	

Remarks Refer to [“File Name Variables” on page 13](#) for information on the file name syntax.

:LINK:REVerse:SETup:STORE**Supported** E4438C with Option 401

```
[ :SOURce ]:RADio:CDMA2000:ARB:LINK:REVerse:SETup:STORE "<file name>"
```

This command stores the current custom CDMA2000 state, using a designated file name, to the signal generator memory.

Along with the contents of the CDMA2000 channel table editor (channel types, Walsh code, power levels, PN offset, and data), this command stores the following information to the signal generator memory:

- FIR filter
- FIR filter file name
- FIR filter alpha
- FIR filter BbT
- FIR filter channel (EVM or ACP)
- I/Q mapping
- link
- spread type

spread rate
 ARB reference clock source (internal or external)
 ARB reference clock frequency
 clipping
 multicarrier spacing
 radio configuration

Key Entry **Store Custom CDMA State**

Remarks Recall this stored file by executing the following command:

```
[ :SOURce ] :RADio:CDMA2000:ARB:LINK:REVerse:
SETup "<file name>"
```

Refer to [“File Name Variables” on page 13](#) for information on the file name syntax.

:LINK:REVerse:SETup:TABLE:APPLY

Supported E4438C with Option 401

```
[ :SOURce ] :RADio:CDMA2000:ARB:LINK:REVerse:SETup:TABLE:APPLY
```

This command generates a CDMA2000 signal based on the current values in the CDMA2000 channel setup table editor.

Key Entry **Apply Channel Setup**

:LINK:REVerse:SETup:TABLE:CHANnel

Supported E4438C with Option 401

```
[ :SOURce ] :RADio:CDMA2000:ARB:LINK:REVerse:SETup:TABLE:CHANnel INIT |
APPend |<chan_num>, <chan_type>, <data_rate>, <power>, RANDOM |<data_val>
[ :SOURce ] :RADio:CDMA2000:ARB:LINK:REVerse:SETup:TABLE:
CHANnel? <chan_num>
```

This command defines the channel parameters for the CDMA2000 signal.

The channel number, configuration type, data rate, walsh code, power, pn offset, and data value are returned when a query is initiated. The output format is as follows:

```
<chan_type>,<data_rate>,<power>,<data_val>
```

The variable <data_rate> is expressed as bits per second (bps).

The variable <power> is expressed in units of decibels (dB).

INIT This choice clears the current information and creates a new one-row table, allowing for further definition using additional parameters.

CDMA2000 ARB Subsystem–Option 401 ([:SOURce]:RADio:CDMA2000:ARB)

APPend	This choice adds rows to an existing table. The maximum number of channels in a table is eight.
RANDom	This choice selects a randomly generated data value.
<data_val>	This variable customizes a specific data value.
*RST	<i>channel type</i> : PIL <i><data_rate></i> : +3.84000000E+004 <i><power></i> : -7.00000000E+000 <i><pn_offset></i> : +0 <i><data_val></i> : 0
Range	<i><data_rate></i> : 1500–9600 <i><power></i> : –40 to 0 <i><data_val></i> : 0000000–11111111
Key Entry	Edit Channel Setup Insert Row Config Rate Walsh Code PN Offset
Remarks	Queries initiated for this command must be followed by a specific channel number. The above *RST value represents a query of channel one.

:LINK:REVerse:SETup:TABLE:NCHannels

Supported	E4438C with Option 401
	[:SOURce] :RADio:CDMA2000:ARB:LINK:REVerse:SETup:TABLE:NCHannels?
	This command query returns the number of channels for the CDMA2000 link reverse setup.
*RST	+5

:LINK:REVerse:SETup:TABLE:PADJust

Supported	E4438C with Option 401
	[:SOURce] :RADio:CDMA2000:ARB:LINK:REVerse:SETup:TABLE:PADJust EQUal SCALE
	This command customizes the code domain power (the relative power in each of the channels).
EQUal	This choice changes all channels to equal power, and the total power to 0 dB.
SCALE	This choice scales all of the current channel powers so that the total power equals 0 dB, keeping the previous power ratios between the individual channels.
Key Entry	Equal Powers Scale To 0dB

:MDEStination:AAMPlitude

Supported E4438C with Option 401

```
[ :SOURce ]:RADio:CDMA2000:ARB:MDEStination:AAMPlitude NONE |M1 |M2 |M3 |M4  
[:SOURce]:RADio:CDMA2000:ARB:MDEStination:AAMPlitude?
```

This command routes the selected marker to the Alternate Amplitude function. The NONE parameter clears the marker for the Alternate Amplitude function.

***RST** NONE

Key Entry None Marker 1 Marker 2 Marker 3 Marker 4

:MDEStination:ALCHold

Supported E4438C with Option 401

CAUTION Incorrect automatic level control (ALC) sampling can create a sudden unlevelled condition that may create a spike in the RF output potentially damaging a DUT or connected instrument. Ensure that you set markers to let the ALC sample over an amplitude that accounts for the high power levels within the signal.

```
[ :SOURce ]:RADio:CDMA2000:ARB:MDEStination:ALCHold NONE |M1 |M2 |M3 |M4  
[:SOURce]:RADio:CDMA2000:ARB:MDEStination:ALCHold?
```

This command enables or disables the marker ALC hold function for the selected marker. For setting markers, see “:MARKer:[SET]” on page 302.

Use the ALC hold function when you have a waveform signal that incorporates idle periods, or when the increased dynamic range encountered with RF blanking is not desired. The ALC leveling circuitry responds to the marker signal during the marker pulse (marker signal high), averaging the modulated signal level during this period.

The ALC hold function operates during the low periods of the marker signal. The marker polarity determines when the marker signal is high. For a positive polarity, this is during the marker points. For a negative polarity, this is when there are no marker points. For setting a marker’s polarity, see “:MPOlarity:MARKer1|2|3|4” on page 260.

NOTE Do not use the ALC hold for more than 100 ms, because it can affect the waveform’s output amplitude.

The marker signal has a minimum of a two-sample delay in its response relative to the waveform signal response. To compensate for the marker signal delay, offset marker points from the waveform sample point at which you want the ALC sampling to begin.

The ALC hold setting is part of the file header information, so saving the setting to the file header saves the current marker routing for the waveform file.

NOTE A waveform file that has unspecified settings in the file header uses the previous waveform’s routing settings.

For more information on the marker ALC hold function, see the *E4428C/38C ESG Signal Generators User’s Guide*. For setting the marker points, see “:MARKer:[SET]” on page 302.

- NONE This terminates the marker ALC hold function.
- M1–M4 These are the marker choices. The ALC hold feature uses only one marker at a time.
- *RST NONE

Example

```
:RAD:AWGB:ARB:MDES:ALCH M1
```

The preceding example routes marker 1 to the ALC Hold function.

Key Entry None Marker 1 Marker 2 Marker 3 Marker 4

Remarks N/A

:MDEStination:PULSe

Supported E4438C with Option 401

CAUTION The pulse function incorporates ALC hold. Incorrect automatic level control (ALC) sampling can create a sudden unlevelled condition that may create a spike in the RF output potentially damaging a DUT or connected instrument. Ensure that you set markers to let the ALC sample over an amplitude that accounts for the high power levels within the signal.

```
[ :SOURce ] :RADio:CDMA2000:ARB:MDEStination:PULSe NONE | M1 | M2 | M3 | M4
[ :SOURce ] :RADio:CDMA2000:ARB:MDEStination:PULSe?
```

This command enables or disables the marker pulse/RF blanking function for the selected marker.

This function automatically uses the ALC hold function, so there is no need to select both the ALC hold and pulse/RF blanking functions for the same marker.

NOTE Do not use ALC hold for more than 100 ms, because it can affect the waveform’s output amplitude.

The signal generator blanks the RF output when the marker signal goes low. The marker polarity determines when the marker signal is low. For a positive polarity, this is during the marker points. For a negative polarity, this is when there are no marker points. For setting a marker’s polarity, see “:MPOLarity:MARKer1|2|3|4” on page 260.

NOTE Set marker points prior to using this function. Enabling this function without setting marker points may create a continuous low or high marker signal, depending on the marker polarity. This causes either no RF output or a continuous RF output. See “:MARKer:[SET]” on page 302 for setting the marker points.

The marker signal has a minimum of a two-sample delay in its response relative to the waveform signal response. To compensate for the marker signal delay, offset marker points from the waveform sample point at which you want the RF blanking to begin. The RF blanking setting is part of the file header information, so saving the setting to the file header saves the current marker routing for the waveform file.

NOTE A waveform file that has unspecified settings in the file header uses the previous waveform’s routing settings. This could create the situation where there is no RF output signal, because the previous waveform used RF blanking.

For more information on the marker RF blanking function, see the *E4428C/38C ESG Signal Generators User’s Guide*.

NONE This terminates the marker RF blanking/pulse function.

M1–M4 These are the marker choices. The RF blanking/pulse feature uses only one marker at a time.

Example

```
:RAD:ARB:MDES:PULS M2
```

The preceding example routes marker 2 to Pulse/RF Blanking.

```
*RST NONE
```

Key Entry	None	Marker 1	Marker 2	Marker 3	Marker 4
------------------	-------------	-----------------	-----------------	-----------------	-----------------

:MPOLarity:MARKer1 | 2 | 3 | 4**Supported** E4438C with Option 401

```
[ :SOURCE ] :RADio:CDMA2000:ARB:MPOLarity:MARKer1 | 2 | 3 | 4 NEGative | POSitive
[ :SOURCE ] :RADio:CDMA2000:ARB:MPOLarity:MARKer1 | 2 | 3 | 4?
```

This command sets the polarity for the selected marker. For a positive marker polarity, the marker signal is high during the marker points. For a negative marker polarity, the marker signal is high during the period of no marker points.

***RST** POS

Key Entry Marker 1 Polarity Neg Pos Marker 2 Polarity Neg Pos Marker 3 Polarity Neg Pos
 Marker 4 Polarity Neg Pos

:REFerence:EXTernal:FREQuency**Supported** E4438C with Option 401

```
[ :SOURCE ] :RADio:CDMA2000:ARB:REFerence:EXTernal:FREQuency <val>
[ :SOURCE ] :RADio:CDMA2000:ARB:REFerence:EXTernal:FREQuency?
```

This command allows you to enter the frequency of the applied external reference.

The variable <val> is expressed in units of Hertz (KHz–MHz).

***RST** +1.00000000E+007**Range** 2.5E5–1E8**Key Entry** Reference Freq

Remarks The value specified by this command is effective only when you are using an external ARB reference applied to the BASEBAND GEN REF IN rear panel connector.

To specify external as the ARB reference source type, refer to
“:REFerence[:SOURCE]” on page 260.

:REFerence[:SOURCE]**Supported** E4438C with Option 401

```
[ :SOURCE ] :RADio:CDMA2000:ARB:REFerence[ :SOURCE ] INTernal | EXTernal
[ :SOURCE ] :RADio:CDMA2000:ARB:REFerence[ :SOURCE ]?
```

This command selects either an internal or external reference for the waveform clock.

***RST** INT

Key Entry	ARB Reference Ext Int
Remarks	<p>If the EXTERNAL choice is selected, the external frequency value <i>must</i> be entered and the signal must be applied to the BASEBAND GEN REF IN rear panel connector.</p> <p>Refer to “:REFERENCE:EXTERNAL:FREQUENCY” on page 260 to enter the external reference frequency.</p>

:RETRigger

Supported	E4438C with Option 401
	[:SOURce]:RADio:CDMA:ARB:RETRigger ON OFF IMMEDIATE [:SOURce]:RADio:CDMA:ARB:RETRigger?
	This command enables or disables the ARB retriggering mode; the retrigger mode controls how the retriggering function performs while a waveform is playing.
ON (1)	This choice specifies that if a trigger occurs while a waveform is playing, the waveform will retrigger at the end of the current waveform sequence and play once more.
OFF (0)	This choice specifies that if a trigger occurs while a waveform is playing, the trigger will be ignored.
IMMEDIATE	This choice specifies that if a trigger occurs while a waveform is playing, the waveform will reset and replay from the start immediately upon receiving a trigger.
*RST	ON
Key Entry	On Off Immediate

:REVISION

Supported	E4438C with Option 401
	[:SOURce]:RADio:CDMA2000:ARB:REVISION?
	This command queries the revision number of the current CDMA2000 format.
*RST	8

:SCLock:RATE**Supported** E4438C with Option 401

[:SOURce]:RADio:CDMA2000:ARB:SCLock:RATE <val>

[:SOURce]:RADio:CDMA2000:ARB:SCLock:RATE?

This command sets the sample clock rate for the CDMA2000 modulation format.

The variable <val> is expressed in units of hertz.

***RST** +1.00000000E+008**Range** 1–1E8**Key Entry** ARB Sample Clock

Remarks The modulation format should be active before executing this command. If this command is executed before the modulation format is active, the entered value will be overridden by a calculated factory default value. Refer to “[:STaTe]” on [page 269](#) to activate the modulation format.

:SPReading:RATE**Supported** E4438C with Option 401

[:SOURce]:RADio:CDMA2000:ARB:SPReading:RATE 1 | 3

[:SOURce]:RADio:CDMA2000:ARB:SPReading:RATE?

This command opens a submenu that provides the available spread rate choices for the CDMA2000 waveform.

***RST** +1**Key Entry** Spread Rate 1 Spread Rate 3

Remarks The spread rate multiplied by 1.2288 MHz is equal to the chip rate. For example, spread rate 3 equals a 3.6864 Mcps chip rate.

Higher data rates can be achieved using spread rate 3, though offset by greater bandwidth/spectrum usage.

Changing the spread rate to either 1 or 3 will also change the initial setup menu, resulting in a configuration that is specific to the current spread rate.

:SPReading:TYPE

Supported E4438C with Option 401

```
[ :SOURce ]:RADio:CDMA2000:ARB:SPReading:TYPE DIRect |MCARrier  
[ :SOURce ]:RADio:CDMA2000:ARB:SPReading:TYPE?
```

This command selects the spreading type for a CDMA2000 waveform.

***RST** DIR

Key Entry Spreading Type Direct Mcarrier

Remarks Multicarrier is not available in the reverse link setup.

Note that changing the spreading type will result in the setup changing to a setup for the current spreading type.

:SPReading:TYPE:MCARrier:SPACing

Supported E4438C with Option 401

```
[ :SOURce ]:RADio:CDMA2000:ARB:SPReading:TYPE:MCARrier:SPACing 1.23MHz |  
1.25MHz  
[ :SOURce ]:RADio:CDMA2000:ARB:SPReading:TYPE:MCARrier:SPACing?
```

This command selects the multicarrier frequency spacing.

***RST** +1.25000000E+006

Key Entry 1.23 MHz 1.25 MHz

Remarks Cellular band uses 1.23 MHz and PCS band uses 1.25 MHz.

:TRIGger:TYPE

Supported E4438C with Option 401

```
[ :SOURce ]:RADio:CDMA2000:ARB:TRIGger:TYPE CONTinuous |SINGLE |GATE  
[ :SOURce ]:RADio:CDMA2000:ARB:TRIGger:TYPE?
```

:TRIGger:TYPE

Supported E4438C with Option 401

```
[ :SOURce ]:RADio:CDMA:ARB:TRIGger:TYPE CONTinuous |SINGLE |GATE  
[ :SOURce ]:RADio:CDMA:ARB:TRIGger:TYPE?
```

This command sets the trigger mode (type) that controls the waveform's playback.

Triggers control the playback by telling the ESG when to play the modulating signal (waveform). Depending on the trigger settings for the ESG, the waveform playback can occur once, continuously, or the ESG may start and stop playing the waveform repeatedly (GATE mode).

A trigger signal comprises both positive and negative signal transitions (states), which are also called high and low periods. You can configure the ESG to trigger on either state of the trigger signal. It is common to have multiple triggers, also referred to as trigger occurrences or events, occur when the signal generator requires only a single trigger. In this situation, the ESG recognizes the first trigger and ignores the rest.

When you select a trigger mode, you may lose the signal (carrier plus modulating) from the RF output until you trigger the waveform. This is because the ESG sets the I and Q signals to zero volts prior to the first trigger event, which suppresses the carrier. After the first trigger event, the waveform's final I and Q levels determine whether you will see the carrier signal or not (zero = no carrier, other values = carrier visible). At the end of most files, the final I and Q points are set to a value other than zero.

There are four parts to configuring the trigger:

- Choosing the trigger type, which controls the waveform's transmission.
- Setting the waveform's response to triggers:
 - CONTInuous, see “:TRIGger:TYPE:CONTInuous[:TYPE]” on page 265
 - SINGle, see “:RETRigger” on page 261
 - GATE, selecting the mode also sets the response
- Selecting the trigger source (see “:TRIGger[:SOURce]” on page 266), which determines how the ESG receives its trigger signal, internally or externally. The GATE choice requires an external trigger.
- Setting the trigger polarity when using an external source:
 - CONTInuous and SINGle see “:TRIGger[:SOURce]:EXTernal:SLOPe” on page 268
 - GATE, see “:TRIGger:TYPE:GATE:ACTive” on page 266

For more information on triggering, see the *E4428C/38C ESG Signal Generators User's Guide*.

The following list describes the trigger type command choices:

CONTInuous	Upon triggering, the waveform repeats continuously.
SINGle	Upon triggering, the waveform segment or sequence plays once.

GATE An external trigger signal repeatedly starts and stops the waveform’s playback (transmission). The time duration for playback depends on the duty period of the trigger signal and the gate polarity selection (see “:TRIGger:TYPE:GATE:ACTive” on page 266). The waveform plays during the inactive state and stops during the active polarity selection state. The active state can be set high or low. The gate mode works only with an external trigger source.

NOTE The ARB gating behavior described above is opposite to the gating behavior for real-time custom mode.

***RST** CONT
Key Entry Continuous Single Gated

:TRIGger:TYPE:CONTInuous[:TYPE]

Supported E4438C with Option 401

```
[ :SOURce ] :RADio:CDMA2000:ARB:TRIGger:TYPE:CONTInuous [ :TYPE ] FREE |
TRIGger | RESet
[ :SOURce ] :RADio:CDMA2000:ARB:TRIGger:TYPE:CONTInuous [ :TYPE ] ?
```

This commands selects the waveform’s response to a trigger signal while using the continuous trigger mode.

For more information on triggering and to select the continuous trigger mode, see “:TRIGger:TYPE” on page 263.

The following list describes the waveform’s response to each of the command choices:

FREE	Turning the ARB format on immediately triggers the waveform. The waveform repeats until you turn the format off, select another trigger, or choose another waveform file.
TRIGger	The waveform waits for a trigger before play begins. When the waveform receives the trigger, it plays continuously until you turn the format off, select another trigger, or choose another waveform file.
RESet	The waveform waits for a trigger before play begins. When the waveform receives the trigger, it plays continuously. Subsequent triggers reset the waveform to the beginning. For a waveform sequence, this means to the beginning of the first segment in the sequence.
*RST	FREE
Key Entry	Free Run Trigger & Run Reset & Run

:TRIGger:TYPE:GATE:ACTive**Supported** E4438C with Option 401

```
[ :SOURCE ] :RADio:CDMA2000:ARB:TRIGger:TYPE:GATE:ACTive LOW|HIGH
[ :SOURCE ] :RADio:CDMA2000:ARB:TRIGger:TYPE:GATE:ACTive?
```

This command selects the active state (gate polarity) of the gate while using the gating trigger mode.

The LOW and HIGH selections correspond to the low and high states of an external trigger signal. For example, when you select HIGH, the active state occurs during the high of the trigger signal. When the active state occurs, the ESG stops the waveform playback at the last played sample point, then restarts the playback at the next sample point when the inactive state occurs. For more information on triggering and to select gating as the trigger mode, see “:TRIGger:TYPE” on page 263.

The following list describes the ESG’s gating behavior for the polarity selections:

LOW The waveform playback stops when the trigger signal goes low (active state) and restarts when the trigger signal goes high (inactive state).

HIGH The waveform playback stops when the trigger signal goes high (active state) and restarts when the trigger signal goes low (inactive state).

***RST** HIGH

Key Entry Gate Active Low High

:TRIGger[:SOURCE]**Supported** E4438C with Option 401

```
[ :SOURCE ] :RADio:CDMA2000:ARB:TRIGger [ :SOURCE ] KEY|EXT|BUS
[ :SOURCE ] :RADio:CDMA2000:ARB:TRIGger [ :SOURCE ]?
```

This command sets the trigger source.

For more information on triggering, see “:TRIGger:TYPE” on page 263. The following list describes the command choices:

KEY This choice enables manual triggering by pressing the front-panel **Trigger** hardkey.

EXT An externally applied signal triggers the waveform. This is the only choice that works with gating. The following conditions affect an external trigger:

- The input connector selected for the trigger signal. You have a choice between the rear-panel PATTERN TRIG IN connector or the PATT TRIG IN 2 pin on the rear-panel AUXILIARY I/O connector. To make the connector selection, see “:TRIGger[:SOURCE]:EXTernal[:SOURCE]” on page 269.

For more information on the connectors and on connecting the cables, see the *E4428C/38C ESG Signal Generators User’s Guide*.

- The trigger signal polarity:
 - gating mode, see “:TRIGger:TYPE:GATE:ACTive” on page 266
 - continuous and single modes, see “:TRIGger[:SOURce]:EXTernal:SLOPe” on page 268
- The time delay between when the ESG receives a trigger and when the waveform responds to the trigger. There are two parts to setting the delay:
 - setting the amount of delay, see “:TRIGger[:SOURce]:EXTernal:DELay” on page 267
 - turning the delay on, see “:TRIGger[:SOURce]:EXTernal:DELay:STATe” on page 268

BUS This choice enables triggering over the GPIB or LAN using the *TRG or GET commands or the AUXILIARY INTERFACE (RS-232) using the *TRG command.

*RST	EXT		
Key Entry	Trigger Key	Ext	Bus

:TRIGger[:SOURce]:EXTernal:DELay

Supported E4438C with Option 401

```
[ :SOURce ] :RADio:CDMA2000:ARB:TRIGger [ :SOURce ] :EXTernal:DELay <val>
[ :SOURce ] :RADio:CDMA2000:ARB:TRIGger [ :SOURce ] :EXTernal:DELay?
```

This command sets the amount of time to delay the ESG’s response to an external trigger.

The delay is a path (time) delay between when the ESG receives the trigger and when it responds to the trigger. For example, configuring a trigger delay of two seconds, causes the ESG to wait two seconds after receipt of the trigger before the ESG plays the waveform.

The delay does not occur until you turn it on (see “:TRIGger[:SOURce]:EXTernal:DELay:STATe” on page 268). You can set the delay value either before or after turning it on.

For more information on configuring an external trigger source and to select external as the trigger source, see “:TRIGger[:SOURce]” on page 266.

The unit of measurement for the variable <val> is in seconds (nsec–sec).

***RST** +1.00000000E–003

Range 1E–8 to 4E1

Key Entry Ext Delay Time

:TRIGger[:SOURCE]:EXTErnal:DELAy:STATe

Supported E4438C with Option 401

```
[ :SOURCE ] :RADio:CDMA2000:ARB:TRIGger [ :SOURCE ] :EXTErnal:DELAy:STATe ON | OFF | 1 | 0
```

```
[ :SOURCE ] :RADio:CDMA2000:ARB:TRIGger [ :SOURCE ] :EXTErnal:DELAy:STATe?
```

This command enables or disables the operating state of the external trigger delay function.

For setting the delay time, see “:TRIGger[:SOURCE]:EXTErnal:DELAy” on page 267, and for more information on configuring an external source, see “:TRIGger[:SOURCE]” on page 266.

***RST** 0

Key Entry Ext Delay Off On

:TRIGger[:SOURCE]:EXTErnal:SLOPe

Supported E4438C with Option 401

```
[ :SOURCE ] :RADio:CDMA2000:ARB:TRIGger [ :SOURCE ] :EXTErnal:SLOPe POSitive | NEGative
```

```
[ :SOURCE ] :RADio:CDMA2000:ARB:TRIGger [ :SOURCE ] :EXTErnal:SLOPe?
```

This command sets the polarity for an external trigger signal while using the continuous, single triggering mode. To set the polarity for gating, see “:TRIGger:TYPE:GATE:ACTive” on page 266.

The POSitive and NEGative selections correspond to the high (positive) and low (negative) states of the external trigger signal. For example, when you select POSitive, the waveform responds (plays) during the high state of the trigger signal. When the ESG receives multiple trigger occurrences when only one is required, the signal generator uses the first trigger and ignores the rest.

For more information on configuring an external trigger source and to select external as the trigger source, see “:TRIGger[:SOURCE]” on page 266.

***RST** NEG

Key Entry Ext Polarity Neg Pos

:TRIGger[:SOURCE]:EXTernal[:SOURCE]

Supported E4438C with Option 401

```
[:SOURCE]:RADio:CDMA2000:ARB:TRIGger[:SOURCE]:EXTernal[:SOURCE] EPT1 |
EPT2 | EPTRIGGER1 | EPTRIGGER2
[:SOURCE]:RADio:CDMA2000:ARB:TRIGger[:SOURCE]:EXTernal[:SOURCE]?
```

This command selects which PATTERN TRIG IN connection the ESG uses to accept an externally applied trigger signal when external is the trigger source selection.

For more information on configuring an external trigger source and to select external as the trigger source, see “:TRIGger[:SOURCE]” on page 266. For more information on the rear-panel connectors, see the *E4428C/38C ESG Signal Generators User’s Guide*.

The following list describes the command choices:

- | | |
|------------------|---|
| EPT1 | This choice is synonymous with EPTRIGGER1 and selects the PATTERN TRIG IN rear-panel connector. |
| EPT2 | This choice is synonymous with EPTRIGGER2 and selects the PATT TRIG IN 2 pin on the rear-panel AUXILIARY I/O connector. |
| EPTRIGGER1 | This choice is synonymous with EPT1 and selects the PATTERN TRIG IN rear-panel connector. |
| EPTRIGGER2 | This choice is synonymous with EPT2 and selects the PATT TRIG IN 2 pin on the rear-panel AUXILIARY I/O connector. |
| *RST | EPT1 |
| Key Entry | Patt Trig In 1 Patt Trig In 2 |

[:STAtE]

Supported E4438C with Option 401

```
[:SOURCE]:RADio:CDMA2000:ARB[:STAtE] ON | OFF | 1 | 0
[:SOURCE]:RADio:CDMA2000:ARB[:STAtE]?
```

This command enables or disables the CDMA2000 modulation format.

- | | |
|------------------|---|
| ON (1) | This choice enables the CDMA2000 modulation capability and sets up the internal hardware to generate the currently selected CDMA2000 signal selection.

This choice also activates the I/Q state and sets the I/Q source to internal. |
| OFF (0) | This choice disables the CDMA2000 baseband signal capability. |
| *RST | 0 |
| Key Entry | CDMA2000 Off On |

Dmodulation Subsystem–Option 001/601 or 002/602 ([:SOURce]:RADio:DMODulation:ARB)

:IQ:EXTernal:FILTer

Supported E4438C with Option 001/601 or 002/602

```
[ :SOURce ] :RADio:DMODulation:ARB:IQ:EXTernal:FILTer 40e6 |THRough
```

```
[ :SOURce ] :RADio:DMODulation:ARB:IQ:EXTernal:FILTer?
```

This command selects the filter or through path for I/Q signals routed to the rear panel I and Q outputs. Selecting a filter using this command will automatically set “:IQ:EXTernal:FILTer:AUTO” on [page 270](#) to OFF(0) mode.

40e6 This choice applies a 40 MHz baseband filter.

THRough This choice bypasses filtering.

***RST** THR

Key Entry 40.000 MHz Through

:IQ:EXTernal:FILTer:AUTO

Supported E4438C with Option 001/601 or 002/602

```
[ :SOURce ] :RADio:DMODulation:ARB:IQ:EXTernal:FILTer:AUTO ON | OFF | 1 | 0
```

```
[ :SOURce ] :RADio:DMODulation:ARB:IQ:EXTernal:FILTer:AUTO?
```

This command enables or disables the automatic selection of the filters for I/Q signals routed to the rear panel I/Q outputs.

ON(1) This choice will automatically select a digital modulation filter optimized for the current signal generator settings.

OFF(0) This choice disables the auto feature which lets you select a digital modulation filter or through path. Refer to “:IQ:EXTernal:FILTer” on [page 270](#) for selecting a filter or through path.

***RST** 1

Key Entry I/Q Output Filter Manual Auto

:FILTER

Supported E4438C with Option 001/601 or 002/602

```
[ :SOURCE ]:RADIO:DMODULATION:ARB:FILTER RNYQuist | NYQuist | GAUSSian |
RECTangle | IS95 | IS95_EQ | IS95_MOD | IS95_MOD_EQ | WCDMA | AC4Fm | IS2000SR3DS |
UGGaussian | "<user FIR>"
[ :SOURCE ]:RADIO:DMODULATION:ARB:FILTER?
```

This command specifies the pre-modulation filter type.

IS95	This choice selects a filter that meets the criteria of the IS-95 standard.
IS95_EQ	This choice selects a filter which is a combination of the IS-95 filter (above) and the equalizer filter described in the IS-95 standard. This filter is only used for IS-95 baseband filtering.
IS95_MOD	This choice selects a filter that meets the criteria of the IS-95 error function (for improved adjacent channel performance) with lower passband rejection than the filter specified in the IS-95 standard.
IS95_MOD_EQ	This choice selects a filter which is a combination of the equalizer filter described in the IS-95 standard and a filter that meets the criteria of the IS-95 error function (for improved adjacent channel performance), with lower passband rejection.
WCDMA	This choice selects a 0.22 Nyquist filter optimized for ACP.
AC4Fm	This choice selects a predefined Association of Public Safety Communications Officials (APCO) specified compatible 4-level frequency modulation (C4FM) filter.
IS2000SR3DS	This choice selects an IS-2000 standard, spread rate 3 direct spread filter.
UGGaussian	This choice selects a backwards compatible GSM Gaussian filter (Gaussian filter with a fixed BbT value of 0.300) for the ESG E44xxB Option UN3 or UN4.
"<user FIR>"	This variable is any FIR filter file that you have stored in memory. The variable needs no directory path indicating the location of the file, such as FIR: or /USER/FIR. The command assumes the FIR directory. Refer to “File Name Variables” on page 13 for more information on file names.

***RST** RNYQ

Key Entry	Root Nyquist	Nyquist	Gaussian	Rectangle	IS-95	IS-95 w/EQ
	IS-95 Mod	IS-95 Mod w/EQ	WCDMA	IS-2000 SR3 DS	APCO 25 C4FM	
	UN3/4 GSM Gaussian	User FIR				

:FILTer:ALPHa

Supported E4438C with Option 001/601 or 002/602

```
[ :SOURce ] :RADio :DMODulation :ARB :FILTer :ALPHa <val>
```

```
[ :SOURce ] :RADio :DMODulation :ARB :FILTer :ALPHa ?
```

This command changes the Nyquist or root Nyquist filter alpha value.

The filter alpha value can be set to the minimum level (0), the maximum level (1), or in between by using fractional numeric values (0.001–0.999).

***RST** +3.50000000E–001

Range 0.000–1.000

Key Entry Filter Alpha

Remarks To change the current filter type, refer to “:FILTer” on page 271.

:FILTer:BBT

Supported E4438C with Option 001/601 or 002/602

```
[ :SOURce ] :RADio :DMODulation :ARB :FILTer :BBT <val>
```

```
[ :SOURce ] :RADio :DMODulation :ARB :FILTer :BBT ?
```

This command changes the bandwidth-multiplied-by-bit-time (BbT) filter parameter.

The filter BbT value can be set to the minimum level (0), the maximum level (1), or in between by using fractional numeric values (0.001–0.999).

***RST** +5.00000000E–001

Range 0.000–1.000

Key Entry Filter BbT

Remarks This command is effective only after choosing a Gaussian filter. It does not have an effect on other types of filters.

To change the current filter type, refer to “:FILTer” on page 271.

:FILTer:CHANnel

Supported E4438C with Option 001/601 or 002/602

```
[ :SOURce ] :RADio :DMODulation :ARB :FILTer :CHANnel EVM | ACP
[ :SOURce ] :RADio :DMODulation :ARB :FILTer :CHANnel ?
```

This command optimizes the Nyquist and root Nyquist filters to minimize error vector magnitude (EVM) or to minimize adjacent channel power (ACP).

EVM This choice provides the most ideal passband.

ACP This choice improves stopband rejection.

***RST** EVM

Key Entry Optimize FIR For EVM ACP

Remarks To change the current filter type, refer to “:FILTer” on page 271.

:HEADer:CLEar

Supported E4438C with Option 001/601 or 002/602

```
[ :SOURce ] :RADio :DMODulation :ARB :HEADer :CLEar
```

This command clears the header information from the file header used by this modulation format.

Key Entry Clear Header

Remarks The **Digital Modulation Off On** softkey must be set to On for this command to function.

:HEADer:SAVE

Supported E4438C with Option 001/601 or 002/602

```
[ :SOURce ] :RADio :DMODulation :ARB :HEADer :SAVE
```

This command saves the header information to the file header used by this modulation format.

Key Entry Save Setup To Header

Remarks The **Digital Modulation Off On** softkey must be set to On for this command to function.

:IQ:MODulation:ATTen

Supported E4438C with Option 001/601 or 002/602

```
[ :SOURce ] :RADio:DMODulation:ARB:IQ:MODulation:ATTen <val>
```

```
[ :SOURce ] :RADio:DMODulation:ARB:IQ:MODulation:ATTen?
```

This command sets the attenuation level of the I/Q signals being modulated through the signal generator RF path.

The variable <val> is expressed in units of decibels (dB).

***RST** +2.00000000E+000

Range 0–40

Key Entry Modulator Atten Manual Auto

:IQ:MODulation:ATTen:AUTO

Supported E4438C with Option 001/601 or 002/602

```
[ :SOURce ] :RADio:DMODulation:ARB:IQ:MODulation:ATTen:AUTO ON|OFF|1|0
```

```
[ :SOURce ] :RADio:DMODulation:ARB:IQ:MODulation:ATTen:AUTO?
```

This command enables or disables the I/Q attenuation auto mode.

ON (1) This choice enables the attenuation auto mode which optimizes the modulator attenuation for the current conditions.

OFF (0) This choice holds the attenuator at its current setting or at a selected value. Refer to [“” on page 274](#) for setting the attenuation value.

***RST** 1

Key Entry Modulator Atten Manual Auto

:IQ:MODulation:FILTer**Supported** E4438C with Option 001/601 or 002/602[:SOURce]:RADio:DMODulation:ARB:IQ:MODulation:FILTer 2.1e6|40e6|THROUGH
[:SOURce]:RADio:DMODulation:ARB:IQ:MODulation:FILTer?

This command enables you to select a filter or through path for I/Q signals modulated onto the RF carrier. Selecting a filter using this command will automatically set “:IQ:MODulation:FILTer:AUTO” on page 275 to OFF(0) mode.

2.1E6 This choice applies a 2.1 MHz baseband filter to the I/Q signals.

40E6 This choice applies a 40 MHz baseband filter to the I/Q signals.

THROUGH This choice bypasses filtering.

RST** THR**Key Entry** 2.100 MHz 40.000 MHz Through**:IQ:MODulation:FILTer:AUTO*Supported** E4438C with Option 001/601 or 002/602[:SOURce]:RADio:DMODulation:ARB:IQ:MODulation:FILTer:AUTO ON|OFF|1|0
[:SOURce]:RADio:DMODulation:ARB:IQ:MODulation:FILTer:AUTO?

This command enables or disables the automatic selection of the filters for I/Q signals modulated onto the RF carrier.

ON(1) This choice will automatically select a digital modulation filter.

OFF(0) This choice disables the auto feature which lets you select a digital modulation filter or through path. Refer to “:IQ:MODulation:FILTer” on page 275 for selecting a filter or through path.

***RST** 1**Key Entry** I/Q Mod Filter Manual Auto

:MDESTination:AAMPLitude

Supported E4438C with Option 001/601 or 002/602

```
[ :SOURCE ] :RADio:DMODulation:ARB:MDESTination:AAMPLitude NONE | M1 | M2 | M3 | M4
[ :SOURCE ] :RADio:DMODulation:ARB:MDESTination:AAMPLitude?
```

This command routes the selected marker to the Alternate Amplitude function. The `NONE` parameter clears the marker for the Alternate Amplitude function.

***RST** NONE

Key Entry None Marker 1 Marker 2 Marker 3 Marker 4

:MDESTination:ALCHold

Supported E4438C with Option 403

CAUTION Incorrect automatic level control (ALC) sampling can create a sudden unlevelled condition that may create a spike in the RF output potentially damaging a DUT or connected instrument. Ensure that you set markers to let the ALC sample over an amplitude that accounts for the high power levels within the signal.

```
[ :SOURCE ] :RADio:DMODulation:ARB:MDESTination:ALCHold NONE | M1 | M2 | M3 | M4
[ :SOURCE ] :RADio:DMODulation:ARB:MDESTination:ALCHold?
```

This command enables or disables the marker ALC hold function for the selected marker. For setting markers, see “[:MARKer:SET]” on page 302.

Use the ALC hold function when you have a waveform signal that incorporates idle periods, or when the increased dynamic range encountered with RF blanking is not desired. The ALC leveling circuitry responds to the marker signal during the marker pulse (marker signal high), averaging the modulated signal level during this period.

The ALC hold function operates during the low periods of the marker signal. The marker polarity determines when the marker signal is high. For a positive polarity, this is during the marker points. For a negative polarity, this is when there are no marker points. For setting a marker’s polarity, see “[:MPOlarity:MARKer1|2|3|4]” on page 280.

NOTE Do not use the ALC hold for more than 100 ms, because it can affect the waveform’s output amplitude.

The marker signal has a minimum of a two-sample delay in its response relative to the waveform signal response. To compensate for the marker signal delay, offset marker points from the waveform sample point at which you want the ALC sampling to begin.

The ALC hold setting is part of the file header information, so saving the setting to the file header saves the current marker routing for the waveform file.

NOTE A waveform file that has unspecified settings in the file header uses the previous waveform's routing settings.

For more information on the marker ALC hold function, see the *E4428C/38C ESG Signal Generators User's Guide*. For setting the marker points, see “:MARKer:[SET]” on page 302.

NONE This terminates the marker ALC hold function.

M1–M4 These are the marker choices. The ALC hold feature uses only one marker at a time.

***RST** NONE

Example

```
:RAD:AWGB:ARB:MDES:ALCH M1
```

The preceding example routes marker 1 to the ALC Hold function.

Key Entry None Marker 1 Marker 2 Marker 3 Marker 4

Remarks N/A

:MDESTination:PULSe

Supported E4438C with Option 001/601 or 002/602

CAUTION The pulse function incorporates ALC hold. Incorrect automatic level control (ALC) sampling can create a sudden unlevelled condition that may create a spike in the RF output potentially damaging a DUT or connected instrument. Ensure that you set markers to let the ALC sample over an amplitude that accounts for the high power levels within the signal.

```
[ :SOURCE ]:RADio:DMODulation:ARB:MDESTination:PULSe NONE | M1 | M2 | M3 | M4
[ :SOURCE ]:RADio:DMODulation:ARB:MDESTination:PULSe?
```

This command enables or disables the marker pulse/RF blanking function for the selected marker.

This function automatically uses the ALC hold function, so there is no need to select both the ALC hold and pulse/RF blanking functions for the same marker.

NOTE Do not use ALC hold for more than 100 ms, because it can affect the waveform’s output amplitude.

The signal generator blanks the RF output when the marker signal goes low. The marker polarity determines when the marker signal is low. For a positive polarity, this is during the marker points. For a negative polarity, this is when there are no marker points. For setting a marker’s polarity, see “:MPOLarity:MARKer1|2|3|4” on page 280.

NOTE Set marker points prior to using this function. Enabling this function without setting marker points may create a continuous low or high marker signal, depending on the marker polarity. This causes either no RF output or a continuous RF output. See “:MARKer:[SET]” on page 302 for setting the marker points.

The marker signal has a minimum of a two-sample delay in its response relative to the waveform signal response. To compensate for the marker signal delay, offset marker points from the waveform sample point at which you want the RF blanking to begin. The RF blanking setting is part of the file header information, so saving the setting to the file header saves the current marker routing for the waveform file.

NOTE A waveform file that has unspecified settings in the file header uses the previous waveform’s routing settings. This could create the situation where there is no RF output signal, because the previous waveform used RF blanking.

For more information on the marker RF blanking function, see the *E4428C/38C ESG Signal Generators User’s Guide*.

NONE This terminates the marker RF blanking/pulse function.

M1–M4 These are the marker choices. The RF blanking/pulse feature uses only one marker at a time.

Example

```
:RAD:ARB:MDES:PULS M2
```

The preceding example routes marker 2 to Pulse/RF Blanking.

```
*RST NONE
```

Key Entry	None	Marker 1	Marker 2	Marker 3	Marker 4
-----------	------	----------	----------	----------	----------

:MODulation:FSK[:DEVIation]

Supported E4438C with Option 001/601 or 002/602

```
[ :SOURCE ] :RADio:DMODulation:ARB:MODulation:FSK[:DEVIation] <val>
[ :SOURCE ] :RADio:DMODulation:ARB:MODulation:FSK[:DEVIation]?
```

This command sets the symmetric FSK frequency deviation value.

The variable <val> is expressed in units of Hertz and the maximum range value equals the current symbol rate value multiplied by ten, limited to 20 MHz.

***RST** +4.00000000E+002

Range 0–2E7

Key Entry Freq Dev

Remarks To change the modulation type, refer to “:MODulation[:TYPE]” on page 279.

Refer to “:SRATe” on page 286 for a list of the minimum and maximum symbol rate values.

To set an asymmetric FSK deviation value, refer to the *E4428C/38C ESG Signal Generators User’s Guide* for more information.

:MODulation[:TYPE]

Supported E4438C with Option 001/601 or 002/602

```
[ :SOURCE ] :RADio:DMODulation:ARB:MODulation[:TYPE] BPSK | QPSK | IS95QPSK |
GRAYQPSK | OQPSK | IS95OQPSK | P4DQPSK | PSK8 | PSK16 | D8PSK | EDGE | MSK | FSK2 | FSK4 |
FSK8 | FSK16 | C4FM | QAM4 | QAM16 | QAM32 | QAM64 | QAM128 | QAM256
[ :SOURCE ] :RADio:DMODulation:ARB:MODulation[:TYPE]?
```

This command sets the modulation type for the digital modulation personality.

***RST** P4DQPSK

Key Entry	BPSK	QPSK	IS-95 QPSK	Gray Coded QPSK	OQPSK			
	IS-95 OQPSK	$\pi/4$ DQPSK	8PSK	16PSK	D8PSK	EDGE	MSK	
	2-Lvl FSK	4-Lvl FSK	8-Lvl FSK	16-Lvl FSK	C4FM	4QAM	16QAM	
	32QAM	64QAM	128QAM	256QAM				

:MPOLarity:MARKer1 | 2 | 3 | 4**Supported** E4438C with Option 401

[:SOURce]:RADio:DMODulation:ARB:MPOLarity:MARKer1 | 2 | 3 | 4 NEGative | POSitive

[:SOURce]:RADio:DMODulation:ARB:MPOLarity:MARKer1 | 2 | 3 | 4?

This command sets the polarity for the selected marker. For a positive marker polarity, the marker signal is high during the marker points. For a negative marker polarity, the marker signal is high during the period of no marker points.

***RST** POS

Key Entry **Marker 1 Polarity Neg Pos Marker 2 Polarity Neg Pos Marker 3 Polarity Neg Pos**
Marker 4 Polarity Neg Pos

:REFerence:EXTernal:FREQuency**Supported** E4438C with Option 001/601 or 002/602

[:SOURce]:RADio:DMODulation:ARB:REFerence:EXTernal:FREQuency <val>

[:SOURce]:RADio:DMODulation:ARB:REFerence:EXTernal:FREQuency?

This command conveys the expected reference frequency value of an externally applied reference the signal generator.

The variable <val> is expressed in units of Hertz (Hz–MHz).

***RST** +1.00000000E+007**Range** 2.5E5–1E8**Key Entry** Reference Freq

Remarks The value specified by this command is effective only when you are using an external ARB reference applied to the BASEBAND GEN REF IN rear panel connector.

To specify external as the ARB reference source type, refer to “:REFerence[:SOURce]” on page 281.

:REference[:SOURCE]

Supported E4438C with Option 001/601 or 002/602

```
[ :SOURCE ]:RADio:DMODulation:ARB:REference[ :SOURCE] INTernal | EXTernal
[ :SOURCE ]:RADio:DMODulation:ARB:REference[ :SOURCE]?
```

This command selects either an internal or external reference for the waveform clock.

***RST** INT

Key Entry ARB Reference Ext Int

Remarks If the EXTernal choice is selected, the external frequency value *must* be entered and the signal must be applied to the BASEBAND GEN REF IN rear panel connector.

Refer to “:REference:EXTernal:FREQUENCY” on page 280 to enter the external reference frequency.

:RETRigger

Supported E4438C with Option 001/601 or 002/602

```
[ :SOURCE ]:RADio:DMODulation:ARB:RETRigger ON | OFF | IMMEDIATE
[ :SOURCE ]:RADio:DMODulation:ARB:RETRigger?
```

This command enables or disables the ARB retriggering mode; the retrigger mode controls how the retriggering function performs while a waveform is playing.

ON (1) This choice specifies that if a trigger occurs while a waveform is playing, the waveform will retrigger at the end of the current waveform sequence and play once more.

OFF (0) This choice specifies that if a trigger occurs while a waveform is playing, the trigger will be ignored.

IMMEDIATE This choice specifies that if a trigger occurs while a waveform is playing, the waveform will reset and replay from the start immediately upon receiving a trigger.

***RST** ON

Key Entry On Off Immediate

:SCLock:RATE**Supported** E4438C with Option 001/601 or 002/602

[:SOURce]:RADio:DMODulation:ARB:SCLock:RATE <val>

[:SOURce]:RADio:DMODulation:ARB:SCLock:RATE?

This command sets the sample clock rate.

The variable <val> is expressed in units of Hertz (Hz – MHz)

RST** +1.00000000E+008**Range** 1–1E8**Key Entry** ARB Sample Clock**Remarks** The modulation format should be active before executing this command. If this command is executed before the modulation format is active, the entered value will be overridden by a calculated factory default value. Refer to “[:STATe]” on [page 293](#) to activate the modulation format.**:SETup*Supported** E4438C with Option 001/601 or 002/602

[:SOURce]:RADio:DMODulation:ARB:SETup GSM|NADC|PDC|PHS|DECT|AC4Fm|

ACQPsk|CDPD|PWT|EDGE|TETRA|MCARrier|"<file name>"

[:SOURce]:RADio:DMODulation:ARB:SETup?

This command selects the digital modulation format type or multicarrier, and turns multicarrier off or on (see the MCARrier choice description).

The *MCARrier* choice selects multicarrier and turns it on. Selecting any other setup such as GSM or CDPD turns multicarrier off. To select the multicarrier setup, see “[:SETup:MCARrier]”.***RST** NADC**Key Entry** GSM NADC PDC PHS DECT APCO 25 w/C4FM APCO w/CQPSK
CDPD PWT EDGE TETRA Multicarrier Off On Select File**Remarks** Refer to “File Name Variables” on [page 13](#) for information on the file name syntax.

:SETup:MCARrier

Supported E4438C with Option 001/601 or 002/602

```
[ :SOURCE ]:RADio:DMODulation:ARB:SETup:MCARrier GSM|NADC|PDC|PHS|DECT|
AC4Fm|ACQPsk|CDPD|PWT|EDGE|TETRA,<num carriers>,<freq spacing>)|
"<file name>"
[:SOURCE]:RADio:DMODulation:ARB:SETup:MCARrier?
```

This command builds a table with the specified number of carriers and frequency spacing or retrieves the setup stored in the specified user file.

The carrier type, number of carriers, and frequency spacing value are returned when a query is initiated. The output format is as follows:

```
<carrier type>,<num carriers>,<freq spacing>
```

If a specific file is loaded and then queried, only the file name is returned.

The variable <freq spacing> is expressed in units of Hertz (kHz–MHz).

```
*RST          Carrier: NADC    <num carriers>: 2
              <freq spacing>: +1.0000000000000E+06
```

```
Range          <num carriers>: 2–100
              <freq spacing>: 2 ÷ (<num carriers> – 1) × 80 MHz
```

```
Key Entry     GSM    NADC    PDC    PHS    DECT    APCO 25 w/C4FM    APCO w/CQPSK
                CDPD    PWT    EDGE    TETRA    # of Carriers    Freq Spacing
                Custom Digital Mod State
```

Remarks Refer to [“File Name Variables” on page 13](#) for information on the file name syntax.

To store a multicarrier setup refer to [“:SETup:MCARrier:STORe” on page 284](#).

:SETup:MCARrier:PHASe

Supported E4438C with Option 001/601 or 002/602

```
[ :SOURCE ]:RADio:DMODulation:ARB:SETup:MCARrier:PHASe FIXed|RANDOM
[:SOURCE]:RADio:DMODulation:ARB:SETup:MCARrier:PHASe?
```

This command toggles the phase settings for multicarrier digital modulation.

FIXed This choice sets the phase of all carriers to 0.

RANDom This choice sets random phase values for all of the carriers.

*RST	FIX
Key Entry	Carrier Phases Fixed Random

:SETup:MCARrier:STORE

Supported E4438C with Option 001/601 or 002/602

```
[ :SOURce ]:RADio:DMODulation:ARB:SETup:MCARrier:STORE "<file name>"
```

This command stores the current multicarrier setup information.

The stored file contains information that includes the digital modulation format, number of carriers, frequency spacing, and power settings for the multicarrier setup.

Key Entry Load/Store

Remarks The setting enabled by this command is not affected by signal generator power-on, preset, or *RST.

Refer to “[File Name Variables](#)” on page 13 for information on the file name syntax.

:SETup:MCARrier:TABLE

Supported E4438C with Option 001/601 or 002/602

```
[ :SOURce ]:RADio:DMODulation:ARB:SETup:MCARrier:TABLE INIT|APPend|
<carrier_num>, GSM|NADC|PDC|PHS|DECT|AC4Fm|ACQpsk|CDPD|PWT|EDGE|TETRA|
"<file name>",<freq_offset>,<power>
[ :SOURce ]:RADio:DMODulation:ARB:SETup:MCARrier:TABLE? <carrier_num>
```

This command modifies the parameters of one of the available multicarrier digital modulation formats.

The variable <freq_offset> is expressed in units of Hertz (kHz–MHz).

The variable <power> is expressed in units of decibels (dB).

INIT This choice clears the current information and creates a new one-row table, allowing for further definition using additional parameters.

APPend This choice adds rows to an existing table.

<carrier_num> This variable specifies the number of the carriers in the multicarrier table that will be modified.

The value of the variable <carrier_num> must be specified prior to selecting the digital modulation format.

:SRATe

Supported E4438C with Option 001/601 or 002/602

[:SOURce]:RADio:DMODulation:ARB:SRATe <val>

[:SOURce]:RADio:DMODulation:ARB:SRATe?

This command sets the transmission symbol rate.

The variable <val> is expressed in units of symbols per second (sps–Mps) and the maximum range value is dependent upon the modulation type, and filter.

***RST** +2.43000000E+004

Range

<i>Modulation Type</i>	<i>Bits per Symbol</i>	<i>Internal Data</i>
BPSK	1	1sps–50 Mps
FSK2		
MSK		
C4FM	2	1sps–50 Mps
FSK4		
OQPSK		
OQPSK195		
P4QPPSK		
QAM4		
QPSK		
QPSKIS95		
QPSKISAT		
D8PSK		
EDGE		
FSK8		
PSK8		
FSK16	4	1sps–25 Mps
PSK16		
QAM16		
QAM32	5	1sps–20 Mps
QAM64	6	1sps–16.67 Mps
QAM256	8	1sps–12.50 Mps

Key Entry Symbol Rate

Remarks When user-defined filters are selected using the command in section “:FILTer” on page 271, the upper bit rate will be restricted in line with the following symbol rate restriction:

- FIR filter length > 32 symbols: upper limit is 12.5 Mps

- FIR filter length > 16 symbols: upper limit is 25 Msps

When internal FIR filters are used, the limits of the above table always apply. For higher symbol rates, the FIR filter length will be truncated as follows:

- Above 12.5 Msps, the FIR length will be truncated to 32 symbols
- Above 25 Msps, the FIR length will be truncated to 16 symbols

This will impact the relative timing of the modulated data, as well as the actual filter response.

To change the modulation type, refer to “:MODulation[:TYPE]” on page 279.

:TRIGger:TYPE

Supported E4438C with Option 001/601 or 002/602

```
[ :SOURce ] :RADio:DMODulation:ARB:TRIGger:TYPE CONTInuous | SINGle | GATE
[ :SOURce ] :RADio:DMODulation:ARB:TRIGger:TYPE?
```

This command sets the trigger mode (type) that controls the waveform’s playback.

Triggers control the playback by telling the ESG when to play the modulating signal (waveform). Depending on the trigger settings for the ESG, the waveform playback can occur once, continuously, or the ESG may start and stop playing the waveform repeatedly (GATE mode).

A trigger signal comprises both positive and negative signal transitions (states), which are also called high and low periods. You can configure the ESG to trigger on either state of the trigger signal. It is common to have multiple triggers, also referred to as trigger occurrences or events, occur when the signal generator requires only a single trigger. In this situation, the ESG recognizes the first trigger and ignores the rest.

When you select a trigger mode, you may lose the signal (carrier plus modulating) from the RF output until you trigger the waveform. This is because the ESG sets the I and Q signals to zero volts prior to the first trigger event, which suppresses the carrier. After the first trigger event, the waveform’s final I and Q levels determine whether you will see the carrier signal or not (zero = no carrier, other values = carrier visible). At the end of most files, the final I and Q points are set to a value other than zero.

There are four parts to configuring the trigger:

- Choosing the trigger type, which controls the waveform’s transmission.
- Setting the waveform’s response to triggers:
 - CONTInuous, see “:TRIGger:TYPE:CONTInuous[:TYPE]” on page 288
 - SINGle, see “:RETRigger” on page 281
 - GATE, selecting the mode also sets the response

- Selecting the trigger source (see “:TRIGger[:SOURce]” on page 290), which determines how the ESG receives its trigger signal, internally or externally. The GATE choice requires an external trigger.
- Setting the trigger polarity when using an external source:
 - CONTInuous and SINGle see “:TRIGger[:SOURce]:EXTErnal:SLOPe” on page 292
 - GATE, see “:TRIGger:TYPE:GATE:ACTIve” on page 289

For more information on triggering, see the *E4428C/38C ESG Signal Generators User’s Guide*.

The following list describes the trigger type command choices:

CONTInuous	Upon triggering, the waveform repeats continuously.
SINGle	Upon triggering, the waveform segment or sequence plays once.
GATE	An external trigger signal repeatedly starts and stops the waveform’s playback (transmission). The time duration for playback depends on the duty period of the trigger signal and the gate polarity selection (see “:TRIGger:TYPE:GATE:ACTIve” on page 289). The waveform plays during the inactive state and stops during the active polarity selection state. The active state can be set high or low. The gate mode works only with an external trigger source.

NOTE The ARB gating behavior described above is opposite to the gating behavior for real-time custom mode.

*RST	CONT
Key Entry	Continuous Single Gated

:TRIGger:TYPE:CONTInuous[:TYPE]

Supported E4438C with Option 001/601 or 002/602

```
[ :SOURce ] :RADio :DMODulation :ARB :TRIGger :TYPE :CONTInuous [ :TYPE ] FREE |
TRIGger | RESet
[ :SOURce ] :RADio :DMODulation :ARB :TRIGger :TYPE :CONTInuous [ :TYPE ] ?
```

This commands selects the waveform’s response to a trigger signal while using the continuous trigger mode.

For more information on triggering and to select the continuous trigger mode, see “:TRIGger:TYPE” on page 287.

The following list describes the waveform's response to each of the command choices:

FREE	Turning the ARB format on immediately triggers the waveform. The waveform repeats until you turn the format off, select another trigger, or choose another waveform file.		
TRIGger	The waveform waits for a trigger before play begins. When the waveform receives the trigger, it plays continuously until you turn the format off, select another trigger, or choose another waveform file.		
RESet	The waveform waits for a trigger before play begins. When the waveform receives the trigger, it plays continuously. Subsequent triggers reset the waveform to the beginning. For a waveform sequence, this means to the beginning of the first segment in the sequence.		
*RST	FREE		
Key Entry	Free Run	Trigger & Run	Reset & Run

:TRIGger:TYPE:GATE:ACTive

Supported E4438C with Option 001/601 or 002/602

```
[ :SOURCE ]:RADio:DMODulation:ARB:TRIGger:TYPE:GATE:ACTive LOW|HIGH
[ :SOURCE ]:RADio:DMODulation:ARB:TRIGger:TYPE:GATE:ACTive?
```

This command selects the active state (gate polarity) of the gate while using the gating trigger mode.

The LOW and HIGH selections correspond to the low and high states of an external trigger signal. For example, when you select HIGH, the active state occurs during the high of the trigger signal. When the active state occurs, the ESG stops the waveform playback at the last played sample point, then restarts the playback at the next sample point when the inactive state occurs. For more information on triggering and to select gating as the trigger mode, see “:TRIGger:TYPE” on page 287.

The following list describes the ESG's gating behavior for the polarity selections:

LOW	The waveform playback stops when the trigger signal goes low (active state) and restarts when the trigger signal goes high (inactive state).		
HIGH	The waveform playback stops when the trigger signal goes high (active state) and restarts when the trigger signal goes low (inactive state).		
*RST	HIGH		
Key Entry	Gate Active Low High		

:TRIGger[:SOURce]

Supported E4438C with Option 001/601 or 002/602

```
[ :SOURce ]:RADio:DMODulation:ARB:TRIGger [ :SOURce ] KEY | EXT | BUS
```

```
[ :SOURce ]:RADio:DMODulation:ARB:TRIGger [ :SOURce ]?
```

This command sets the trigger source.

For more information on triggering, see “[:TRIGger:TYPE](#)” on page 287. The following list describes the command choices:

KEY This choice enables manual triggering by pressing the front-panel **Trigger** hardkey.

EXT An externally applied signal triggers the waveform. This is the only choice that works with gating. The following conditions affect an external trigger:

- The input connector selected for the trigger signal. You have a choice between the rear-panel PATTERN TRIG IN connector or the PATT TRIG IN 2 pin on the rear-panel AUXILIARY I/O connector. To make the connector selection, see “[:TRIGger\[:SOURce\]:EXTernal\[:SOURce\]](#)” on page 292.

For more information on the connectors and on connecting the cables, see the *E4428C/38C ESG Signal Generators User’s Guide*.

- The trigger signal polarity:
 - gating mode, see “[:TRIGger:TYPE:GATE:ACTive](#)” on page 289
 - continuous and single modes, see “[:TRIGger\[:SOURce\]:EXTernal:SLOPe](#)” on page 292
- The time delay between when the ESG receives a trigger and when the waveform responds to the trigger. There are two parts to setting the delay:
 - setting the amount of delay, see “[:TRIGger\[:SOURce\]:EXTernal:DELay](#)” on page 291
 - turning the delay on, see “[:TRIGger\[:SOURce\]:EXTernal:DELay:STATe](#)” on page 291

BUS This choice enables triggering over the GPIB or LAN using the *TRG or GET commands or the AUXILIARY INTERFACE (RS-232) using the *TRG command.

***RST** EXT

Key Entry Trigger Key Ext Bus

:TRIGger[:SOURCE]:EXTErnal:DELay**Supported** E4438C with Option 001/601 or 002/602

```
[ :SOURCE ] :RADio:DMODulation:ARB:TRIGger [ :SOURCE ] :EXTErnal:DELay <val>
[ :SOURCE ] :RADio:DMODulation:ARB:TRIGger [ :SOURCE ] :EXTErnal:DELay?
```

This command sets the amount of time to delay the ESG's response to an external trigger.

The delay is a path (time) delay between when the ESG receives the trigger and when it responds to the trigger. For example, configuring a trigger delay of two seconds, causes the ESG to wait two seconds after receipt of the trigger before the ESG plays the waveform.

The delay does not occur until you turn it on (see “:TRIGger[:SOURCE]:EXTErnal:DELay:STATE” on page 291). You can set the delay value either before or after turning it on.

For more information on configuring an external trigger source and to select external as the trigger source, see “:TRIGger[:SOURCE]” on page 290.

The unit of measurement for the variable <val> is in seconds (nsec–sec).

RST** +1.00000000E-003**Range** 1E-8 to 4E1**Key Entry** Ext Delay Time**:TRIGger[:SOURCE]:EXTErnal:DELay:STATE*Supported** E4438C with Option 001/601 or 002/602

```
[ :SOURCE ] :RADio:DMODulation:ARB:TRIGger [ :SOURCE ] :EXTErnal:DELay:
STATE ON|OFF|1|0
[ :SOURCE ] :RADio:DMODulation:ARB:TRIGger [ :SOURCE ] :EXTErnal:DELay:STATE?
```

This command enables or disables the external trigger delay function.

For setting the delay time, see “:TRIGger[:SOURCE]:EXTErnal:DELay” on page 291, and for more information on configuring an external source, see “:TRIGger[:SOURCE]” on page 290.

***RST** 0**Key Entry** Ext Delay Off On

:TRIGger[:SOURce]:EXTernal:SLOPe

Supported E4438C with Option 001/601 or 002/602

```
[ :SOURce ]:RADio:DMODulation:ARB:TRIGger [ :SOURce ]:EXTernal:
SLOPe POSitive|NEGative
[ :SOURce ]:RADio:DMODulation:ARB:TRIGger [ :SOURce ]:EXTernal:SLOPe?
```

This command sets the polarity for an external trigger signal while using the continuous, single triggering mode. To set the polarity for gating, see “**:TRIGger:TYPE:GATE:ACTive**” on page 289.

The POSitive and NEGative selections correspond to the high (positive) and low (negative) states of the external trigger signal. For example, when you select POSitive, the waveform responds (plays) during the high state of the trigger signal. When the ESG receives multiple trigger occurrences when only one is required, the signal generator uses the first trigger and ignores the rest.

For more information on configuring an external trigger source and to select external as the trigger source, see “**:TRIGger[:SOURce]**” on page 290.

***RST** NEG

Key Entry Ext Polarity Neg Pos

:TRIGger[:SOURce]:EXTernal[:SOURce]

Supported E4438C with Option 001/601 or 002/602

```
[ :SOURce ]:RADio:DMODulation:ARB:TRIGger [ :SOURce ]:
EXTernal [ :SOURce ] EPT1|EPT2|EPTRIGGER1|EPTRIGGER2
[ :SOURce ]:RADio:DMODulation:ARB:TRIGger [ :SOURce ]:EXTernal [ :SOURce ]?
```

This command selects which PATTERN TRIG IN connection the ESG uses to accept an externally applied trigger signal when external is the trigger source selection.

For more information on configuring an external trigger source and to select external as the trigger source, see “**:TRIGger[:SOURce]**” on page 290. For more information on the rear-panel connectors, see the *E4428C/38C ESG Signal Generators User’s Guide*.

The following list describes the command choices:

- | | |
|------------|---|
| EPT1 | This choice is synonymous with EPTRIGGER1 and selects the PATTERN TRIG IN rear-panel connector. |
| EPT2 | This choice is synonymous with EPTRIGGER2 and selects the PATT TRIG IN 2 pin on the rear-panel AUXILIARY I/O connector. |
| EPTRIGGER1 | This choice is synonymous with EPT1 and selects the PATTERN TRIG IN rear-panel connector. |

Dmodulation Subsystem—Option 001/601 or 002/602 ([:SOURCE]:RADio:DMODulation:ARB)

EPTRIGGER2 This choice is synonymous with EPT2 and selects the PATT TRIG IN 2 pin on the rear-panel AUXILIARY I/O connector.

***RST** EPT1

Key Entry Patt Trig In 1 Patt Trig In 2

[:STATE]

Supported E4438C with Option 001/601 or 002/602

[:SOURCE] :RADio :DMODulation :ARB [:STATE] ON | OFF | 1 | 0

[:SOURCE] :RADio :DMODulation :ARB [:STATE] ?

This command enables or disables the digital modulation capability.

ON (1) This choice sets up the internal hardware to generate the currently selected digital modulation format signal selection.

OFF (0) This choice disables the digital modulation capability.

***RST** 0

Key Entry Digital Modulation Off On

Remarks When ON is selected, the I/Q state is activated and the I/Q source is set to internal.

Dual ARB Subsystem—Option 001/601 or 002/602 ([:SOURce]:RADio:ARB)

:CLIPping

Supported E4438C with Option 001/601 or 002/602

```
[ :SOURce ] :RADio :ARB :CLIPping "<file name>" , IJQ | IORQ , <val> [ , <val> ]
```

This command sets the clipping level of the selected waveform segment to a percentage of its highest peak.

The variable <val> is expressed in units of percent.

IJQ This choice clips the composite I/Q waveform.

IORQ This choice clips I and Q separately. When this choice is enabled, percentage values for both I and Q must be specified.

***RST** IJQ <val>: +100

Range <val>: 10–100 (0.1% resolution)

Key Entry Clipping Type | I+jQ | |I|,|Q|

Remarks A value of 100 percent equates to no clipping.

Refer to “[File Name Variables](#)” on page 13 for information on the file name syntax.

:GENerate:SINE

Supported E4438C with Option 001/ 601 or 002/602

```
[ :SOURce ] :RADio :ARB :GENerate :SINE [ "<file_name>" ] [ , <osr> ] , [ <scale> ] , [ I | Q | IQ ]
```

This command creates a sine wave waveform file and saves it in the signal generator’s volatile waveform memory (WFM1).

"<file_name>" This variable names the file used to save the generated sine wave data.

<osr> This variable sets the oversample ratio, which must be an even number and ≥ 4 . The <osr> variable is expressed in samples. If the oversample ratio is < 60 (the minimum number of samples or I/Q points required for a waveform), multiple waveform periods are generated to create a waveform file with ≥ 60 samples. The number of periods created is $60 \div \text{osr}$ (quotient will round up to an integer value). A waveform with an oversample ratio ≥ 60 has one period.

<scale>	This variable sets the scale factor for the waveform. The scale factor is a real number from zero to one.
I Q IQ	Selects I, Q, or I and Q paths for the waveform data. Sinewave data is generated and applied to the I path if the I path is selected; Q data are set to zeros. Sine data is generated and applied to the Q path if the Q path is selected; I data are set to zeros. If the I and Q paths are selected, sinewave data are applied to the I and Q paths.

Example

```
:RAD:ARB:GEN:SINE "Sine_Wave",60,.5,IQ
```

The preceding example generates an I/Q sine wave and saves the data to a file named Sine_Wave. The oversampling ratio is 60, the scaling is set for 50%, and the data is applied to both the I and Q paths.

The signal generator's baseband option and available baseband memory determine the maximum number of samples for the waveform.

Range	<i>OSR Option 001/601:</i> 4E0 – 8E6
	<i>OSR Option 002/602:</i> 4E0 – 32E6
	<i>Scale:</i> 0–1

:HEADer:CLEAr

Supported E4438C with Option 001/601 or 002/602

```
[ :SOURce ] :RADio :ARB :HEADer :CLEAr
```

This command clears the header information from the file header used by this modulation format.

Key Entry Clear Header

Remarks The **ARB Off On** softkey must be set to On for this command to function.

:HEADer:RMS

Supported E4438C with Option 001/601 or 002/602

```
[ :SOURce ] :RADio :ARB :HEADer :RMS "<file_name>", <val> | UNSpecified  
[ :SOURce ] :RADio :ARB :HEADer :RMS? "<file_name>"
```

This command sets the file header RMS value for the selected waveform file. The ESG uses the RMS value with the dual ARB's real-time noise function.

The signal generator reads the RMS value from the file header when real-time noise is enabled and the dual ARB turned on.

When the waveform file is saved from volatile waveform memory (WFM1) to non-volatile waveform memory (NVWFM), the RMS value, auto-calculated or user-defined, is also saved.

"<file_name>" This variable names the waveform file to which the RMS value will be applied. The file name variable can designate a file in the WFM1, NVWFM, or SEQ directories. For information on the file name syntax, refer to [“File Name Variables” on page 13](#).

<val> This variable is the user-measured RMS value for the specified waveform. The following figure shows the RMS calculation.

$$\sqrt{\sum_{n=1}^N (i_n^2 + q_n^2) \times \frac{1}{N}}$$

N = # of Samples

UNSpecified Using this variable in the command clears the RMS value and sets it to unspecified. An unspecified RMS value causes the signal generator to calculate the value when real-time noise is applied to the waveform during play back by the dual ARB player. The RMS calculation includes rise times and does not include consecutive zero level samples. DC offsets and noise are also included in the RMS measurement. Because the signal generator calculation uses so many parameters, you may achieve better results calculating your own RMS value.

Examples

```
[ :SOURCE ] :RADio:ARB:HEADER:RMS "WFM1:Sine_Wave" , .835
```

The first example shows a user-measured RMS value for the Sine_Wave waveform file in the waveform’s file header.

```
:RAD:ARB:HEADER:RMS "WFM1:Sine_Wave" , UNSP
```

In the second example, the signal generator calculates the RMS value.

The RMS value is expressed in volts.

Range 0 – 1.414213562373095

:HEADer:SAVE

Supported E4438C with Option 001/601 or 002/602

[:SOURCE] :RADIo:ARB:HEADer:SAVE

This command saves the header information to the file header used by this modulation format.

Key Entry Save Setup To Header

Remarks The **ARB Off On** softkey must be set to On for this command to function.

:HCRest[:STATe]

Supported E4438C with Option 001/601 or 002/602

[:SOURCE] :RADIo:ARB:HCRest [:STATe] ON | OFF | 1 | 0

[:SOURCE] :RADIo:ARB:HCRest [:STATe] ?

This command enables or disables the operating state of the high crest mode.

ON(1) This choice turns high crest mode on for arbitrary I/Q waveforms with high crest factors (such as downloaded Signal Studio for 802.11 signals). High crest mode reduces the ALC vernier level by 7.5 dB, allowing the signal generator to process these signals with less distortion and improved EVM. For crest factors higher than 4 dB, I/Q drive levels should be reduced by 1 dB for each dB above that level. In high crest mode, the maximum output level is reduced and power level accuracy is degraded.

OFF(0) This choice disables the high crest mode.

***RST** 0

Key Entry High Crest Mode Off On

Remarks The high crest mode is automatically turned on by some Signal Studio applications. You can manually override this automatic selection at any time.

:IQ:EXtErnal:FiLTER**Supported** E4438C with Option 001/601 or 002/602

```
[ :SOURce ] :RADio :ARB :IQ :EXtErnal :FiLTER 40e6 | THRough
[ :SOURce ] :RADio :ARB :IQ :EXtErnal :FiLTER ?
```

This command selects the filter or through path for I/Q signals routed to the rear panel I and Q outputs. The filter has not effect on the modulated RF signal. Selecting a filter using this command will automatically set “:IQ:EXtErnal:FiLTER:AUTO” on page 298 to OFF(0) mode.

40e6 This choice applies a 40 MHz baseband filter.

THRough This choice bypasses filtering.

***RST** THR

Key Entry 40.000 MHz Through

:IQ:EXtErnal:FiLTER:AUTO**Supported** E4438C with Option 001/601 or 002/602

```
[ :SOURce ] :RADio :ARB :IQ :EXtErnal :FiLTER :AUTO ON | OFF | 1 | 0
[ :SOURce ] :RADio :ARB :IQ :EXtErnal :FiLTER :AUTO ?
```

This command enables or disables the automatic selection of the filters for I/Q signals routed to the rear panel I/Q outputs.

ON(1) This choice will automatically select a digital modulation filter optimized for the current signal generator settings.

OFF(0) This choice disables the auto feature which lets you select a digital modulation filter or through path. Refer to “:IQ:EXtErnal:FiLTER” on page 298 for selecting a filter or through path.

***RST** 1

Key Entry I/Q Output Filter Manual Auto

:IQ:MODulation:ATTen**Supported** E4438C with Option 001/601 or 002/602

```
[ :SOURce ] :RADio :ARB :IQ :MODulation :ATTen <val>
[ :SOURce ] :RADio :ARB :IQ :MODulation :ATTen ?
```

This command sets the attenuation level of the I/Q signals being modulated through the signal generator RF path.

The variable <val> is expressed in units of decibels (dB).

***RST** +2.00000000E+000
Range 0–40
Key Entry **Modulator Atten Manual Auto**

:IQ:MODulation:ATTen:AUTO

Supported E4438C with Option 001/601 or 002/602
[:SOURce]:RADio:ARB:IQ:MODulation:ATTen:AUTO ON|OFF|1|0
[:SOURce]:RADio:ARB:IQ:MODulation:ATTen:AUTO?

This command enables or disables the I/Q attenuation auto mode.

- ON (1) This choice enables the attenuation auto mode which optimizes the modulator attenuation for the current conditions.
- OFF (0) This choice holds the attenuator at its current setting or at a selected value. Refer to “:IQ:MODulation:ATTen” on page 298 for setting the attenuation value.

***RST** 1
Key Entry **Modulator Atten Manual Auto**

:IQ:MODulation:FILTer

Supported E4438C with Option 001/601 or 002/602
[:SOURce]:RADio:ARB:IQ:MODulation:FILTer 2.1e6|40e6|THROUGH
[:SOURce]:RADio:ARB:IQ:MODulation:FILTer?

This command enables you to select a filter or through path for I/Q signals modulated onto the RF carrier. This filter has no effect on the I/Q signal out the rear panel. Selecting a filter using this command will automatically set “:IQ:MODulation:FILTer:AUTO” on page 300 to OFF(0) mode.

- 2.1E6 This choice applies a 2.1 MHz baseband filter to the I/Q signals.
- 40E6 This choice applies a 40 MHz baseband filter to the I/Q signals.
- THROUGH This choice bypasses filtering.

***RST** THR
Key Entry **2.100 MHz 40.000 MHz Through**

:IQ:MODulation:FILTer:AUTO

Supported E4438C with Option 001/601 or 002/602

```
[ :SOURce ] :RADio :ARB :IQ :MODulation :FILTer :AUTO ON | OFF | 1 | 0
```

```
[ :SOURce ] :RADio :ARB :IQ :MODulation :FILTer :AUTO ?
```

This command enables or disables the automatic selection of the filters for I/Q signals modulated onto the RF carrier.

ON(1) This choice will automatically select a digital modulation filter.

OFF(0) This choice disables the auto feature which lets you select a digital modulation filter or through path. Refer to “[:IQ:MODulation:FILTer](#)” on page 299 for selecting a filter or through path.

*RST 1

Key Entry I/Q Mod Filter Manual Auto

:MARKer:CLEar

Supported E4438C with Option 001/601 or 002/602

```
[ :SOURce ] :RADio :ARB :MARKer :CLEar "<file_name>" , <marker> , <first_point> , <last_point>
```

This command clears a single marker point or a range of marker points on a waveform segment for the selected marker (1–4). The dual ARB player and all of the ARB modulation formats use this command.

"<file_name>" This variable specifies the name of the waveform file in volatile waveform memory (WFM1). Use the AUTOGEN_WAVEFORM file when clearing marker points for an active ARB format. The ESG automatically creates a file, using current settings, and names it AUTOGEN_WAVEFORM whenever an ARB format is turned on (except dual ARB); the same file name is used for all ARB formats. When all ARB formats are off, this file is still in waveform memory (WFM1) and available for use by the dual ARB player. For information on the file name syntax, see “[File Name Variables](#)” on page 13.

<marker> This variable selects the marker number; an integer value from one to four.

<first_point> This variable defines the first point in a range of points. The number must be greater than or equal to one, and less than or equal to the total number of waveform points.

If you enter a value for either the first marker point or the last marker point that would make the first marker point occur after the last, the last marker point automatically adjusts to match the first marker point.

<last_point> This variable defines the last point in a range of points. The number must be greater than or equal to the first point, and less than or equal to the total number of waveform points.

To clear a single marker point, use the same marker point for the first and last point variables. For more information on markers and ARB files, refer to the *E4428C/38C ESG Signal Generators User's Guide*.

Example

```
:RAD:ARB:MARK:CLE "Test_Data",1,1,300
```

The preceding example clears marker 1 from the first point through the 300th point in the Test_Data file.

Range <marker>: 1–4
 <first_Point>: 1–number of waveform points
 <last_point>: <first_Point>–number of waveform points

Key Entry Set Marker Off Range Of Points Marker 1 2 3 4 First Mkr Point Last Mkr Point

:MARKer:CLEar:ALL

Supported E4438C with Option 001/601 or 002/602

```
[ :SOURCE ]:RADio:ARB:MARKer:CLEar:ALL "<file_name>" ,<marker>
```

This command clears all marker points on a waveform segment for the selected marker (1–4). The dual ARB player and all of the ARB formats use this command. With all marker points cleared, the event output signal level is set low.

"<file_name>" This variable specifies the name of the waveform file in volatile waveform memory (WFM1). Use the AUTOGEN_WAVEFORM file when clearing all marker points for the currently active ARB format. The ESG automatically creates a file, using current settings, and names it AUTOGEN_WAVEFORM whenever an ARB format is turned on (except dual ARB); the same file name is used for all ARB formats. When all ARB formats are off, this file is still in waveform memory (WFM1) and available for use by the dual ARB player. For information on the file name syntax, see [“File Name Variables” on page 13](#).

<marker> This variable selects the marker number; an integer value from one to four.

Example

```
:RAD:ARB:MARK:CLE:ALL "Test_Data",1
```

The preceding example clears marker 1 from the all waveform points in the Test_Data file.

Range 1–4
Key Entry Marker 1 2 3 4 Set Marker Off All Points

:MARKer:ROtate

Supported E4438C with Option 001/601 or 002/602

```
[ :SOURCE ]:RADio:ARB:MARKer:ROtate "<file_name>", <rotate_count>
```

This command shifts the marker points for all markers in a waveform segment earlier or later by the value of the <rotate_count> variable. The dual ARB player and all of the ARB formats use this command.

You can use a positive or negative value. When a marker point is close to the end of the waveform and the <rotate_count> value is greater than the number of remaining marker points, but less than the total number of marker points, the marker points that would move beyond the end of the waveform wrap to the beginning of the waveform. For example, if a marker point resides at sample point 195 out of 200, and the <rotate_count> value is twenty-five, the marker point wraps to the beginning of the waveform and continues out to the twentieth waveform point.

To set the marker points in a waveform, refer to “:MARKer:[SET]” on page 302.

"<file_name>" This variable specifies the name of the waveform file in volatile waveform memory (WFM1). Use the AUTOGEN_WAVEFORM file when rotating marker points for the currently active ARB format and then save the file using a different file name. The ESG automatically creates a file, using current settings, and names it AUTOGEN_WAVEFORM whenever an ARB format is turned on (except dual ARB); the same file name is used for all ARB formats. When all ARB formats are off, this file is still in waveform memory (WFM1) and available for use by the dual ARB player. For information on the file name syntax, see “File Name Variables” on page 13.

Example

```
:RAD:ARB:MARK:ROT "Test_Data", 100
```

The preceding example shifts all markers set in the Test_Data file 100 points later. If the first set point in the file is at 50, then after sending this command, the first set point will be 150 (assuming the Test_Data file has at least 150 points) and no later set points wrapped around to the beginning of the file.

Range $-(n - 1)$ to $(n - 1)$
 n = number of points in the waveform

:MARKer:[SET]

Supported E4438C with Option 001/601 or 002/602

```
[ :SOURCE ]:RADio:ARB:MARKer:[SET] "<file_name>", <marker>, <first_point>, <last_point>, <skip_count>
```

This command sets a single marker point or a range of marker points on a waveform segment for the selected marker (1–4). The dual ARB player and all of the ARB formats use this command.

The ESG provides four independent markers. Each marker routes an output signal to the rear-panel event connector number (BNC—EVENT 1 and EVENT 2 or AUXILIARY I/O—EVENT 3 and EVENT 4) that corresponds to the marker number. A marker consists of marker points placed at defined sample points in a waveform segment. This means that a marker point cannot be less than one or greater than the last sample point in the waveform. Marker points are cumulative, so multiple command executions with different range values, without first clearing the existing points, places additional marker points on the waveform. Because of this cumulative behavior, it is a good practice to clear existing marker points prior to setting new points. This will eliminate unexpected marker pulses. Refer to “:MARKer:CLEar” on page 300 and “:MARKer:CLEar:ALL” on page 301 for information on clearing marker points.

For waveforms generated on the signal generator (baseband generator), the ESG automatically places a marker point at the first waveform sample for markers one and two.

NOTE You can set markers for either positive or negative polarity. The following discussions for this command assume positive marker polarity. When using negative marker polarity, the marker pulses occur during the periods of no marker points.

There are three ways to place marker points using this command:

- consecutive marker points over a range that collectively create a single marker pulse that spans the range
- equally spaced marker points over a range, so that a marker pulse occurs at each sample point that coincides with a marker point (Using this method, you can configure a clock signal by setting the <skip_count> variable to one.)
- a single marker point placed at a specific sample point in the waveform, which outputs a single pulse relative to the marker point location (To configure a single marker point, set the first and last points to the same number.)

For more information on markers, refer to the *E4428C/38C ESG Signal Generators User's Guide*.

The following list describes the command variables:

"<file_name>" This variable specifies the name of the waveform file in volatile waveform memory (WFM1). Use the AUTOGEN_WAVEFORM file when setting marker points for the currently active ARB format and then save the file using a different file name. The ESG automatically creates a file, using current settings, and names it AUTOGEN_WAVEFORM whenever an ARB format is turned on (except dual ARB); the same file name is used for all ARB formats. When all ARB formats are off, this file is still in waveform memory (WFM1) and available for use by the

dual ARB player. For information on the file name syntax, see “File Name Variables” on page 13.

<marker>	This variable selects the marker number; an integer value from one to four.
<first_point>	This variable defines the first point in the range over which the marker is placed. This number must be greater than or equal to one, and less than or equal to the total number of waveform points. If you enter a value for either the first marker point or the last marker point that would make the first marker point occur after the last, the last marker point is automatically adjusted to match the first marker point.
<last_point>	This variable defines the last point in the range over which the marker will be placed. This value must be greater than or equal to the first point, and less than or equal to the total number of waveform points.
<skip_count>	This variable defines the marker point pattern across the range. A zero value means the marker points occur consecutively across the range. A value greater than zero creates a repeating marker point pattern across the range, where the gap between the marker points is equal to the <skip_count> value. The gaps begin after the first marker point. Each marker point in the pattern, which is only one point wide, produces a marker pulse.

Example

```
:RAD:ARB:MARK "Test_Data",1,40,100,2
```

The preceding example sets marker 1 on the first point, 40, the last point, 100, and every third point (skip 2) between 40 and 100 (assuming the Test_Data file has at least 100 points).

Range

<marker>: 1–4

<first_Point>: 1–number of waveform points

<last_point>: <first_Point>–number of waveform points

<skip_count>: 0–number of points in the range

Key Entry

Set Marker on Range Of Points	Marker 1	2	3	4	First Mkr Point	Last Mkr Point
# Skipped Points						Apply to Waveform

:MDEStination:AAMPlitude

Supported E4438C with Option 001/601 or 002/602

```
[ :SOURce ]:RADIo:ARB:MDEStination:AAMPlitude NONE | M1 | M2 | M3 | M4  
[ :SOURce ]:RADIo:ARB:MDEStination:AAMPlitude?
```

This command routes the selected marker to the Alternate Amplitude function. The `NONE` parameter clears the marker for the Alternate Amplitude function.

***RST** NONE

Key Entry None Marker 1 Marker 2 Marker 3 Marker 4

:MDEStination:ALCHold

Supported E4438C with Option 001/601 or 002/602

CAUTION Incorrect automatic level control (ALC) sampling can create a sudden unlevelled condition that may create a spike in the RF output potentially damaging a DUT or connected instrument. Ensure that you set markers to let the ALC sample over an amplitude that accounts for the high power levels within the signal.

```
[ :SOURce ]:RADIo:ARB:MDEStination:ALCHold NONE | M1 | M2 | M3 | M4  
[ :SOURce ]:RADIo:ARB:MDEStination:ALCHold?
```

This command enables or disables the marker ALC hold function for the selected marker. For setting markers, see “[:MARKer:\[SET\]](#)” on page 302.

Use the ALC hold function when you have a waveform signal that incorporates idle periods, or when the increased dynamic range encountered with RF blanking is not desired. The ALC leveling circuitry responds to the marker signal during the marker pulse (marker signal high), averaging the modulated signal level during this period.

The ALC hold function operates during the low periods of the marker signal. The marker polarity determines when the marker signal is high. For a positive polarity, this is during the marker points. For a negative polarity, this is when there are no marker points. For setting a marker’s polarity, see “[:MPOlarity:MARKer1|2|3|4](#)” on page 308.

NOTE Do not use the ALC hold for more than 100 ms, because it can affect the waveform’s output amplitude.

The marker signal has a minimum of a two-sample delay in its response relative to the waveform signal response. To compensate for the marker signal delay, offset marker points from the waveform sample point at which you want the ALC sampling to begin.

The ALC hold setting is part of the file header information, so saving the setting to the file header saves the current marker routing for the waveform file.

NOTE A waveform file that has unspecified settings in the file header uses the previous waveform’s routing settings.

For more information on the marker ALC hold function, see the *E4428C/38C ESG Signal Generators User’s Guide*. For setting the marker points, see “:MARKer:[SET]” on page 302.

NONE This terminates the marker ALC hold function.

M1–M4 These are the marker choices. The ALC hold feature uses only one marker at a time.

***RST** NONE

Example

```
:RAD:ARB:MDES:ALCH M1
```

The preceding example routes marker 1 to the ALC Hold function.

Key Entry	None	Marker 1	Marker 2	Marker 3	Marker 4
Remarks	N/A				

:MDESTination:PULSe

Supported E4438C with Option 001/601 or 002/602

CAUTION The pulse function incorporates ALC hold. Incorrect automatic level control (ALC) sampling can create a sudden unlevelled condition that may create a spike in the RF output potentially damaging a DUT or connected instrument. Ensure that you set markers to let the ALC sample over an amplitude that accounts for the high power levels within the signal.

```
[ :SOURce ] :RADio:ARB:MDESTination:PULSe NONE | M1 | M2 | M3 | M4
[ :SOURce ] :RADio:ARB:MDESTination:PULSe?
```

This command enables or disables the marker pulse/RF blanking function for the selected marker.

This function automatically uses the ALC hold function, so there is no need to select both the ALC hold and pulse/RF blanking functions for the same marker.

NOTE Do not use ALC hold for more than 100 ms, because it can affect the waveform’s output amplitude.

The signal generator blanks the RF output when the marker signal goes low. The marker polarity determines when the marker signal is low. For a positive polarity, this is during the marker points. For a negative polarity, this is when there are no marker points. For setting a marker’s polarity, see “:MPOLarity:MARKer1|2|3|4” on page 308.

NOTE Set marker points prior to using this function. Enabling this function without setting marker points may create a continuous low or high marker signal, depending on the marker polarity. This causes either no RF output or a continuous RF output. See “:MARKer:[SET]” on page 302 for setting the marker points.

The marker signal has a minimum of a two-sample delay in its response relative to the waveform signal response. To compensate for the marker signal delay, offset marker points from the waveform sample point at which you want the RF blanking to begin. The RF blanking setting is part of the file header information, so saving the setting to the file header saves the current marker routing for the waveform file.

NOTE A waveform file that has unspecified settings in the file header uses the previous waveform’s routing settings. This could create the situation where there is no RF output signal, because the previous waveform used RF blanking.

For more information on the marker RF blanking function, see the *E4428C/38C ESG Signal Generators User’s Guide*.

NONE This terminates the marker RF blanking/pulse function.

M1–M4 These are the marker choices. The RF blanking/pulse feature uses only one marker at a time.

Example

```
:RAD:ARB:MDES:PULS M2
```

The preceding example routes marker 2 to Pulse/RF Blanking.

```
*RST NONE
```

Key Entry	None	Marker 1	Marker 2	Marker 3	Marker 4
------------------	-------------	-----------------	-----------------	-----------------	-----------------

Example

```
:RAD:ARB:NOIS:BFAC 2
```

The preceding example sets the bandwidth factor to 2 and increases the flat noise bandwidth by at least 1.6 times the ARB sample clock rate.

***RST** +1

Key Entry Noise Bandwidth Factor

:NOIS:CBWidth

Supported E4438C with Option 403

```
[ :SOURce ]:RADio:ARB:NOISe:CBWidth <val><unit>  
[ :SOURce ]:RADio:ARB:NOISe:CBWidth?
```

This command selects the carrier bandwidth over which the additive white gaussian noise (AWGN) is applied. The noise power will be integrated over the selected bandwidth for the purposes of calculating carrier to noise ratio (C/N). The carrier bandwidth is limited to the ARB sample rate, but cannot exceed 80 MHz. For more information, refer to “:NOISe[:STATe]” and “:NOISe:BFACtor”.

***RST** +1.00000000E+000

Range 1HZ–80 MHZ

Key Entry Carrier Bandwidth

:NOIS:CN

Supported E4438C with Option 403

```
[ :SOURce ]:RADio:ARB:NOISe:CN <val><unit>  
[ :SOURce ]:RADio:ARB:NOISe:CN?
```

This command sets the carrier to noise ratio (C/N) in dB. The carrier power is defined as the total modulated signal power without noise power added. The noise power is applied over the specified bandwidth of the carrier signal. For more information, refer to “:NOISe:CBWidth” on page 309.

Example

```
:RAD:ARB:NOIS:CN 50DB
```

The preceding example sets the carrier to noise ratio to 50 dB.

***RST** +0.00000000E+000

Range –100 to 100DB

Key Entry Carrier to Noise Ratio

:NOISe[:STATe]**Supported** E4438C with Option 403

```
[ :SOURce ]:RADio:ARB:NOISe[ :STATe] ON|OFF|1|0
[ :SOURce ]:RADio:ARB:NOISe[ :STATe]?
```

This command enables or disables adding real-time additive white gaussian noise (AWGN) to the carrier modulated by the waveform being played by the dual ARB waveform player. The noise bandwidth will be at least 0.8 times the sample rate, or 1.6 times the sample rate depending on the bandwidth factor. For information on the bandwidth factor, refer to “:NOISe:BFACtor”.

When the bandwidth factor is 2 and the sample rate is greater than 50 megasamples per/second, noise cannot be enabled. Maximum bandwidth cannot exceed 80 MHz. Any oversampling in the waveform increases the noise bandwidth by a factor equal to the oversampling.

Example

```
:RAD:ARB:NOIS ON
```

The preceding example applies real-time AWGN to the carrier.

```
*RST 0
```

Key Entry Real-time Noise Off On**:REFerence:EXTernal:FREQuency****Supported** E4438C with Option 001/601 or 002/602

```
[ :SOURce ]:RADio:ARB:REFerence:EXTernal:FREQuency <value>
[ :SOURce ]:RADio:ARB:REFerence:EXTernal:FREQuency?
```

This command enters the frequency of the applied external reference.

The variable <val> is expressed in units of Hertz (Hz–MHz).

```
*RST +1.00000000E+007
```

```
Range 2.5E5–1E8
```

Key Entry Reference Freq

Remarks The value specified by this command is effective only when you are using an external ARB reference applied to the BASEBAND GEN REF IN rear panel connector.

To specify external as the ARB reference source type, refer to “:REFerence[:SOURce]” on page 311.

:REFeRence[:SOURce]

Supported E4438C with Option 001/601 or 002/602

```
[ :SOURce ]:RADio:ARB:REFeRence[ :SOURce ] INTernal | EXTeRnal
[ :SOURce ]:RADio:ARB:REFeRence[ :SOURce ]?
```

This command selects either an internal or external reference for the waveform clock.

***RST** INT

Key Entry **ARB Reference Ext Int**

Remarks If the EXTeRnal choice is selected, the external frequency value *must* be entered and the signal must be applied to the BASEBAND GEN REF IN rear panel connector.

Refer to “[:REFeRence:EXTeRnal:FREQUency](#)” on page 310 to enter the external reference frequency.

:RETRigger

Supported E4438C with Option 001/601 or 002/602

```
[ :SOURce ]:RADio:ARB:RETRigger ON | OFF | 1 | 0 | IMMEDIATE
[ :SOURce ]:RADio:ARB:RETRigger?
```

This command enables or disables the ARB retriggering mode; the retrigger mode controls how the retriggering function performs while a waveform is playing.

ON (1) This choice specifies that if a trigger occurs while a waveform is playing, the waveform will retrigger at the end of the current waveform sequence and play once more.

OFF (0) This choice specifies that if a trigger occurs while a waveform is playing, the trigger will be ignored.

IMMEDIATE This choice specifies that if a trigger occurs while a waveform is playing, the waveform will reset and replay from the start immediately upon receiving a trigger.

***RST** ON

Key Entry **On Off Immediate**

:RSCALing

Supported E4438C with Option 001/601 or 002/602

```
[ :SOURCE ]:RADio:ARB:RSCALing <val>
```

```
[ :SOURCE ]:RADio:ARB:RSCALing?
```

This command adjusts the scaling value that is applied to a waveform while it is playing. The variable <val> is expressed as a percentage. Runtime scaling does not alter the waveform data file. For more information about runtime scaling, refer to the *E4428C/38C ESG Signal Generators User's Guide*.

Example

```
:RAD:ARB:RSC 50
```

The preceding example applies a 50% scaling factor to the selected waveform.

***RST** +7.00000000E+001

Range 1–100

Key Entry **Waveform Runtime Scaling**

Remarks Runtime scaling does not alter the waveform data file.

:SCALing

Supported E84438C with Option 001/601 or 002/602

```
[ :SOURCE ]:RADio:ARB:SCALing "<file_name>" , <val>
```

This command scales the designated "<file_name>" waveform file while it is being played by the dual ARB player. The variable <val> is expressed as a percentage, 1–100%. For information on file name syntax, see [“File Name Variables” on page 13](#).

Scaling is additive and permanent. You cannot scale up. If you scale a waveform file by 60% and then scale it again to 80% you will scale down the 60% waveform file. For more information about waveform file scaling, refer to the *E4428C/38C ESG Signal Generators User's Guide*.

Example

```
:RAD:ARB:SCAL "Test_Data", 50
```

The preceding example applies a 50% scaling factor to the Test_Data waveform file.

Range 1–100

Remarks Refer to [“File Name Variables” on page 13](#) for information on the file name syntax.

Key Entry	Scaling	Scale Waveform Data
Remarks	Refer to “File Name Variables” on page 13 for information on the file name syntax.	

:SCLock:RATE

Supported E4438C with Option 001/601 or 002/602

```
[ :SOURce ] :RADio:ARB:SCLock:RATE <val>
```

```
[ :SOURce ] :RADio:ARB:SCLock:RATE?
```

This command sets the sample clock rate for the dual ARB format.

The variable <val> is expressed in units of hertz.

***RST** +1.00000000E+008

Range 1–1E8

Key Entry ARB Sample Clock

:SEquence

Supported All with Option 001/601 or 002/602

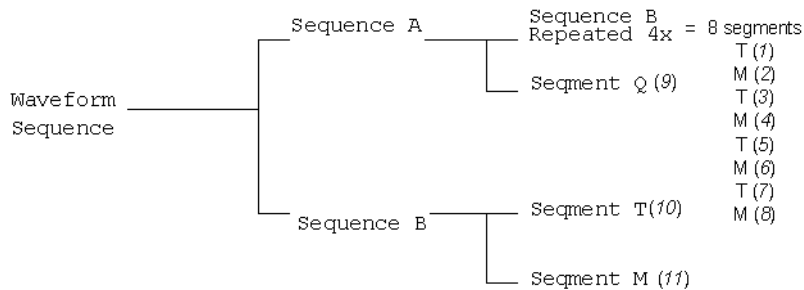
```
[ :SOURce ] :RADio:ARB:SEquence
```

```
"<file_name>", "<waveform1>", <reps>, NONE | M1 | M2 | M3 | M4 | M1M2 | M1M3 | M1M4 | M2M3 |
M2M4 | M3M4 | M1M2M3 | M1M2M4 | M1M3M4 | M2M3M4 | ALL, { "<waveform2>", <reps>, NONE | M1 |
M2 | M3 | M4 | M1M2 | M1M3 | M1M4 | M2M3 | M2M4 | M3M4 | M1M2M3 | M1M2M4 | M1M3M4 | M2M3M4 | ALL }
```

```
[ :SOURce ] :RADio:ARB:SEquence? "<file_name>"
```

This command creates a waveform sequence. A waveform sequence is made up of segments and other sequences. Any number of segments, up to a segment count limit of 32768, can be used to create a sequence. The count limit is determined by the number of segments in the waveform sequence. Repeated segments are included in the count limit.

For example, using the figure below, suppose a waveform is created using two sequences: Sequence_A and Sequence_B. Sequence_A consists of Sequence_B and Segment_Q with Sequence_B repeated four times. The total segment count for this waveform sequence would be eleven.



The query returns the contents and segment settings of the waveform sequence file

The segments and sequences play in the same order as placed into the waveform sequence by the command. Once you create the file, you cannot edit the segment settings or add further waveform segments unless you use the signal generator's front panel. Using the same waveform sequence name overwrites the existing file with that name. To use a segment's marker settings, you must enable the segment's markers within the segment or within the waveform sequence. A sequence is stored in the catalog of SEQ files USER/SEQ or SEQ: directory.

When you create a waveform sequence, the ESG also creates a file header for the sequence. This file header takes priority over segment or nested sequence file headers. Refer to the *E4428C/38C ESG Signal Generators User's Guide* for more information on file headers. To save the file header, see [":HEADer:SAVE" on page 297.](#)

- "<file_name>" This variable names the waveform *sequence* file. For information on the file name syntax, see ["File Name Variables" on page 13.](#)
- "<waveform1>" This variable specifies the name of an existing waveform *segment* or sequence file. A waveform segment or the waveform segments in a specified sequence must reside in volatile memory, WFM1, before it can be played by the dual ARB player. For information on the file name syntax, see ["File Name Variables" on page 13,](#) and for more information on waveform segments, see the *E4428C/38C ESG Signal Generators User's Guide.*
- "<waveform2>" This variable specifies the name of a second existing waveform *segment* or sequence file. The same conditions required for waveform1 apply for this segment or sequence. Additional segments and other sequences can be inserted into the file.
- <reps> This variable sets the number of times a segment or sequence plays (repeats) before the next segment or sequence plays.

NONE	This choice disables all four markers for the waveform. Disabling markers means that the waveform sequence ignores the segment's or sequence's marker settings.
M1, M2, M3, M4	These choices, either individually or a combination of them, enable the markers for the waveform segment or sequence. Markers not specified are ignored for that segment or sequence.
ALL	This choice enables all four markers in the waveform segment or sequence.

Example

```
:RAD:ARB:SEQ "SEQ:Test_Data","WFM1:ramp_test_wfm",25,M1M4,
"WFM1:sine_test_wfm",100,ALL
```

NOTE A carriage return or line feed is never included in a SCPI command. The example above contains a carriage return so that the text will fit on the page.

The preceding example creates a waveform sequence file named Test_Data. This file consists of the factory-supplied waveform segments, ramp_test_wfm and sine_test_wfm. The waveform is stored in the signal generator's SEQ: directory.

- The first segment, ramp_test_wfm, has 25 repetitions with markers 1 and 4 enabled.
- The second segment, sine_test_wfm, has 100 repetitions with all four markers enabled.

Range <reps>: 1–65535

Key Entry **Build New Waveform Sequence** **Name and Store** **Insert Waveform**
Edit Repetitions **Toggle Marker 1** **Toggle Marker 2** **Toggle Marker 3**
Toggle Marker 4

:TRIGger:TYPE

Supported E4438C with Option 001/601 or 002/602

```
[ :SOURce ] :RADio :ARB :TRIGger :TYPE CONTinuous | SINGle | GATE | SADVance
[ :SOURce ] :RADio :ARB :TRIGger :TYPE?
```

This command sets the trigger mode (type) that controls the waveform's playback.

Triggers control the playback by telling the ESG when to play the modulating signal (waveform). Depending on the trigger settings for the ESG, the waveform playback can occur once, continuously, or the ESG may start and stop playing the waveform repeatedly (GATE mode).

A trigger signal comprises both positive and negative signal transitions (states), which are also called high and low periods. You can configure the ESG to trigger on either state of the trigger signal. It is common to have multiple triggers, also referred to as trigger occurrences or events, occur when the

signal generator requires only a single trigger. In this situation, the ESG recognizes the first trigger and ignores the rest.

When you select a trigger mode, you may lose the signal (carrier plus modulating) from the RF output until you trigger the waveform. This is because the ESG sets the I and Q signals to zero volts prior to the first trigger event, which suppresses the carrier. After the first trigger event, the waveform's final I and Q levels determine whether you will see the carrier signal or not (zero = no carrier, other values = carrier visible). At the end of most files, the final I and Q points are set to a value other than zero.

There are four parts to configuring the trigger:

- Choosing the trigger type, which controls the waveform's transmission.
- Setting the waveform's response to triggers:
 - CONTInuous, see [“:TRIGger:TYPE:CONTInuous\[:TYPE\]” on page 317](#)
 - SINGle, see [“:RETRigger” on page 311](#)
 - GATE, selecting the mode also sets the response
- Selecting the trigger source (see [“:TRIGger\[:SOURce\]” on page 320](#)), which determines how the ESG receives its trigger signal, internally or externally. The GATE choice requires an external trigger.
- Setting the trigger polarity when using an external source:
 - CONTInuous and SINGle see [“:TRIGger\[:SOURce\]:EXTernal:SLOPe” on page 322](#)
 - GATE, see [“:TRIGger:TYPE:GATE:ACTive” on page 317](#)

For more information on triggering, see the *E4428C/38C ESG Signal Generators User's Guide*.

The following list describes the trigger type command choices:

CONTInuous	Upon triggering, the waveform repeats continuously.
SINGle	Upon triggering, the waveform segment or sequence plays once.
GATE	An external trigger signal repeatedly starts and stops the waveform's playback (transmission). The time duration for playback depends on the duty period of the trigger signal and the gate polarity selection (see “:TRIGger:TYPE:GATE:ACTive” on page 317). The waveform plays during the inactive state and stops during the active polarity selection state. The active state can be set high or low. The gate mode works only with an external trigger source.

NOTE The ARB gating behavior described above is opposite to the gating behavior for real-time custom mode.

*RST	CONT			
Key Entry	Continuous	Single	Gate	Segment Advance

:TRIGger:TYPE:CONTInuous[:TYPE]

Supported E4438C with Option 001/601 or 002/602

```
[ :SOURce ] :RADio:ARB:TRIGger:TYPE:CONTInuous[ :TYPE ] FREE | TRIGger | RESet
[ :SOURce ] :RADio:ARB:TRIGger:TYPE:CONTInuous[ :TYPE ] ?
```

This command selects the waveform’s response to a trigger signal while using the continuous trigger mode.

For more information on triggering and to select the continuous trigger mode, see “[:TRIGger:TYPE](#)” on page 315.

The following list describes the waveform’s response to each of the command choices:

FREE	Turning the ARB format on immediately triggers the waveform. The waveform repeats until you turn the format off, select another trigger, or choose another waveform file.
TRIGger	The waveform waits for a trigger before play begins. When the waveform receives the trigger, it plays continuously until you turn the format off, select another trigger, or choose another waveform file.
RESet	The waveform waits for a trigger before play begins. When the waveform receives the trigger, it plays continuously. Subsequent triggers reset the waveform to the beginning. For a waveform sequence, this means to the beginning of the first segment in the sequence.
*RST	FREE
Key Entry	Free Run Trigger & Run Reset & Run

:TRIGger:TYPE:GATE:ACTive

Supported E4438C with Option 001/601 or 002/602

```
[ :SOURce ] :RADio:ARB:TRIGger:TYPE:GATE:ACTive LOW | HIGH
[ :SOURce ] :RADio:ARB:TRIGger:TYPE:GATE:ACTive ?
```

This command selects the active state (gate polarity) of the gate while using the gating trigger mode.

The LOW and HIGH selections correspond to the low and high states of an external trigger signal. For example, when you select HIGH, the active state occurs during the high of the trigger signal. When the active state occurs, the ESG stops the waveform playback at the last played sample point, then restarts the playback at the next sample point when the inactive state occurs. For more information on triggering and to select gating as the trigger mode, see “[:TRIGger:TYPE](#)” on page 315.

The following list describes the ESG's gating behavior for the polarity selections:

LOW	The waveform playback stops when the trigger signal goes low (active state) and restarts when the trigger signal goes high (inactive state).
HIGH	The waveform playback stops when the trigger signal goes high (active state) and restarts when the trigger signal goes low (inactive state).
*RST	HIGH
Key Entry	Gate Active Low High

:TRIGger:TYPE:SADVance[:TYPE]

Supported E4438C with Option 001/601 or 002/602

```
[ :SOURce ] :RADio:ARB:TRIGger:TYPE:SADVance[ :TYPE ] SINGLE | CONTinuous
[ :SOURce ] :RADio:ARB:TRIGger:TYPE:SADVance[ :TYPE ] ?
```

This command customizes the segment advance trigger type setting.

SINGLE	This choice will play the next segment in the sequence only once.
CONTinuous	This choice will instruct the sequencer to continually play the next segments in the waveform sequence in a continuous pattern.
*RST	CONT
Key Entry	Single Continuous
Remarks	This command is valid when SADVance has been selected as the trigger type.

To select SADVance as the trigger type, refer to [“:TRIGger:TYPE” on page 315](#).

:TRIGger:TYPE:SADVance[:TYPE]

Supported E4438C with Option 001/601 or 002/602

```
[ :SOURce ] :RADio:ARB:TRIGger:TYPE:SADVance[ :TYPE ] SINGLE | CONTinuous
[ :SOURce ] :RADio:ARB:TRIGger:TYPE:SADVance[ :TYPE ] ?
```

This commands selects the waveform's response to a trigger signal while using the segment advance (SADVance) trigger mode.

When the ESG receives multiple trigger occurrences when only one is required, the signal generator uses the first trigger and ignores the rest. For more information on triggering and to select segment advance as the trigger mode, see [“:TRIGger:TYPE” on page 315](#).

The following list describes the waveform’s response to each of the command choices:

- | | |
|-------------------|---|
| SINGLE | <p>Each segment in the sequence requires a trigger to play, and a segment plays only once, ignoring a segment’s repetition value (see “:SEQUence” on page 313 for repetition information). The following list describes a sequence’s playback behavior with this choice:</p> <ul style="list-style-type: none"> • After receiving the first trigger, the first segment plays to completion. • When the waveform receives a trigger after a segment completes, the sequence advances to the next segment and plays that segment to completion. • When the waveform receives a trigger during play, the current segment plays to completion. Then the sequence advances to the next segment, and it plays to completion. • When the waveform receives a trigger either during or after the last segment in a sequence plays, the sequence resets and the first segment plays to completion. |
| CONTInuous | <p>Each segment in the sequence requires a trigger to play. After receiving a trigger, a segment plays continuously until the waveform receives another trigger. The following list describes a sequence’s playback behavior with this choice:</p> <ul style="list-style-type: none"> • After receiving the first trigger, the first segment plays continuously. • A trigger during the current segment play causes the segment to play to the end of the segment file, then the sequence advances to the next segment, which plays continuously. • When last segment in the sequence receives a trigger, the sequence resets and the first segment plays continuously. |

Example

```
:RAD:ARB:TRIG:TYPE:SADV CONT
```

The preceding example selects the continuous segment advance mode.

*RST	CONT
Key Entry	Single Continuous

:TRIGger[:SOURce]**Supported** E4438C with Option 001/601 or 002/602

[:SOURce]:RADio:ARB:TRIGger[:SOURce] KEY|EXT|BUS

[:SOURce]:RADio:ARB:TRIGger[:SOURce]?

This command sets the trigger source.

For more information on triggering, see “:TRIGger:TYPE” on page 315. The following list describes the command choices:

KEY This choice enables manual triggering by pressing the front-panel **Trigger** hardkey.**EXT** An externally applied signal triggers the waveform. This is the only choice that works with gating. The following conditions affect an external trigger:

- The input connector selected for the trigger signal. You have a choice between the rear-panel PATTERN TRIG IN connector or the PATT TRIG IN 2 pin on the rear-panel AUXILIARY I/O connector. To make the connector selection, see “:TRIGger[:SOURce]:EXTErnal[:SOURce]” on page 323.

For more information on the connectors and on connecting the cables, see the *E4428C/38C ESG Signal Generators User’s Guide*.

- The trigger signal polarity:
 - gating mode, see “:TRIGger:TYPE:GATE:ACTive” on page 317
 - continuous and single modes, see “:TRIGger[:SOURce]:EXTErnal:SLOPe” on page 322
- The delay between when the ESG receives a trigger and when the waveform responds to the trigger. There are two parts to setting the delay:
 - setting the amount of delay, see “:TRIGger[SOURce]:EXTErnal:DELAy[:TIME]” on page 322 or “:TRIGger[:SOURce]:EXTErnal:DELAy:SAMPles” on page 321
 - turning the delay on, see “:TRIGger[:SOURce]:EXTErnal:DELAy:STATe” on page 321

BUS This choice enables triggering over the GPIB or LAN using the *TRG or GET commands or the AUXILIARY INTERFACE (RS-232) using the *TRG command.***RST** EXT**Key Entry** Trigger Key Ext Bus

:TRIGger[:SOURCE]:EXtErnal:DELay:SAMPles

Supported E4438C with Option 001/601 or 002/602

```
[ :SOURCE ] :RADio:ARB:TRIGger [ :SOURCE ] :EXtErnal:DELay:SAMPles <val>
[ :SOURCE ] :RADio:ARB:TRIGger [ :SOURCE ] :EXtErnal:DELay:SAMPles?
```

This command sets the number of samples to delay the ESG's response to an external trigger.

The delay is between when the ESG receives the trigger and when it responds to the trigger. For example, configuring a trigger delay of 100 samples, causes the ESG to wait 100 samples after receipt of the external trigger before the ESG plays the waveform. The delay does not occur until you select **SAMPles** as the delay type. For more information, see “:TRIGger[:SOURCE]:EXtErnal:DELay:STATe” on page 321). You can set the delay value either before or after selecting **SAMPles**.

For more information on configuring an external trigger source and to select external as the trigger source, see “:TRIGger[:SOURCE]” on page 320.

The unit of measurement for the variable <val> is in samples.

***RST** +0

Range 0–100E6

Key Entry Ext Delay Samples

:TRIGger[:SOURCE]:EXtErnal:DELay:STATe OFF | ON | 1 | 0

Supported E4438C with Option 001/601 or 002/602

NOTE Refer to the *Programming Compatibility Guide* for information on this command. This command was replaced by the “:TRIGger[:SOURCE]:EXtErnal:DELay:STATe” command.

:TRIGger[:SOURCE]:EXtErnal:DELay:STATe

Supported E4438C with Option 001/601 or 002/602

```
[ :SOURCE ] :RADio:ARB:TRIGger [ :SOURCE ] :EXtErnal:DELay:STATe OFF | TIME |
SAMPles
[ :SOURCE ] :RADio:ARB:TRIGger [ :SOURCE ] :EXtErnal:DELay:STATe?
```

This command enables the delay feature by selecting the external trigger delay type or disables the external trigger delay function.

TIME Selects time as the delay value in units of nanoseconds to seconds. For setting the time delay value, see “[:TRIGger[:SOURCE]:EXTErnal:DELay[:TIME]]” on page 322.

SAMPles Selects samples as the delay value. For setting the sample delay value, see “[:TRIGger[:SOURCE]:EXTErnal:DELay:SAMPles]” on page 321.

For information on configuring an external source, see “[:TRIGger[:SOURCE]]” on page 320.

***RST** OFF

Key Entry Ext Delay Off Time Samples

:TRIGger[:SOURCE]:EXTErnal:DELay[:TIME]

Supported E4438C with Option 001/601 or 002/602

```
[ :SOURCE ] :RADio:ARB:TRIGger [ :SOURCE ] :EXTErnal:DELay [ :TIME ] <val>
[ :SOURCE ] :RADio:ARB:TRIGger [ :SOURCE ] :EXTErnal:DELay [ :TIME ] ?
```

This command sets the amount of time to delay the ESG’s response to an external trigger.

The delay is a path (time) delay between when the ESG receives the trigger and when it responds to the trigger. For example, configuring a trigger delay of two seconds, causes the ESG to wait two seconds after receipt of the trigger before the ESG plays the waveform. The delay does not occur until you select TIME as the delay type. For more information, see “[:TRIGger[:SOURCE]:EXTErnal:DELay:STATE]” on page 321. You can set the delay value either before or after selecting TIME.

For more information on configuring an external trigger source and to select external as the trigger source, see “[:TRIGger[:SOURCE]]” on page 320.

The unit of measurement for the variable <val> is in seconds (nsec–sec).

***RST** +1.00000000E–003

Range 1E–8 to 4E1

Key Entry Ext Delay Time

:TRIGger[:SOURCE]:EXTErnal:SLOPe

Supported E4438C with Option 001/601 or 002/602

```
[ :SOURCE ] :RADio:ARB:TRIGger [ :SOURCE ] :EXTErnal:SLOPe POSitive|NEGative
[ :SOURCE ] :RADio:ARB:TRIGger [ :SOURCE ] :EXTErnal:SLOPe ?
```

This command sets the polarity for an external trigger signal while using the continuous, single triggering mode. To set the polarity for gating, see “[:TRIGger:TYPE:GATE:ACTive]” on page 317.

The POSitive and NEGative selections correspond to the high (positive) and low (negative) states of the external trigger signal. For example, when you select POSitive, the waveform responds (plays) during the high state of the trigger signal. When the ESG receives multiple trigger occurrences when only one is required, the signal generator uses the first trigger and ignores the rest.

For more information on configuring an external trigger source and to select external as the trigger source, see “:TRIGger[:SOURce]” on page 320.

***RST** NEG
Key Entry Ext Polarity Neg Pos

:TRIGger[:SOURce]:EXTErnal[:SOURce]

Supported E4438C with Option 001/601 or 002/602

```
[ :SOURce ] :RADio:ARB:TRIGger [ :SOURce ] :EXTErnal [ :SOURce ] EPT1 | EPT2 |
EPTRIGGER1 | EPTRIGGER2
[ :SOURce ] :RADio:ARB:TRIGger [ :SOURce ] :EXTErnal [ :SOURce ] ?
```

This command selects which PATTERN TRIG IN connection the ESG uses to accept an externally applied trigger signal when external is the trigger source selection.

For more information on configuring an external trigger source and to select external as the trigger source, see “:TRIGger[:SOURce]” on page 320. For more information on the rear-panel connectors, see the *E4428C/38C ESG Signal Generators User’s Guide*.

The following list describes the command choices:

EPT1	This choice is synonymous with EPTRIGGER1 and selects the PATTERN TRIG IN rear-panel connector.
EPT2	This choice is synonymous with EPTRIGGER2 and selects the PATT TRIG IN 2 pin on the rear-panel AUXILIARY I/O connector.
EPTRIGGER1	This choice is synonymous with EPT1 and selects the PATTERN TRIG IN rear-panel connector.
EPTRIGGER2	This choice is synonymous with EPT2 and selects the PATT TRIG IN 2 pin on the rear-panel AUXILIARY I/O connector.
*RST	EPT1
Key Entry	Patt Trig In 1 Patt Trig In 2

:WAVEform

Supported E4438C with Option 001/601 or 002/602

```
[ :SOURce ] :RADio:ARB:WAVEform "WFM1:file_name" | "SEQ:file_name"
```

```
[ :SOURce ] :RADio :ARB :WAVEform?
```

This command selects a waveform file or sequence, for the dual ARB player to play. The file must be present in volatile memory, WFM1, or in the SEQ directory. If a file is in non-volatile memory (NVWFM), use the command “:COPY[:NAME]” on page 105 to copy the file to WFM1.

"WFM1:file_name" This variable names a waveform file residing in volatile memory (WFM1:). For information on the file name syntax, see “File Name Variables” on page 13.

"SEQ:file_name" This variable names a sequence file residing in the catalog of sequence files. For more information on the file name syntax, see “File Name Variables” on page 13.

Example

```
:RAD:ARB:WAV "WFM1:Test_Data"
```

The preceding example selects the file Test_Data from the list of files in volatile waveform memory, WFM1, and applies its file header settings.

Key Entry **Select Waveform**

:Waveform:NHEAders

Supported E4438C with Option 001/601 or 002/602

```
[ :SOURce ] :RADio :ARB :WAVEform :NHEAders "WFM1:file_name" | "SEQ:filename"
[ :SOURce ] :RADio :ARB :WAVEform :NHEAders?
```

This command, for the dual ARB mode, allows for a fast selection of a segment or sequence waveform file. No header information or settings are applied to the segment or sequence waveform file when this command is used. This will improve the access or loading speed of the waveform file to approximately 100 mS for a single segment. The file must be in volatile waveform memory (WFM1), or in the SEQ directory. If a file is in non-volatile waveform memory (NVWFM), use the command “:COPY[:NAME]” on page 105 to copy files to WFM1.

"WFM1:file_name" This variable names a waveform file residing in volatile memory:WFM1. For information on the file name syntax, see “File Name Variables” on page 13.

"SEQ:filename" This variable names a sequence file residing in the catalog of sequence files. For more information on the file name syntax, see “File Name Variables” on page 13.

Example

```
:RAD:ARB:WAV:NHEA "Test_Data"
```

The preceding example selects the file Test_Data, without applying header settings.

[:STATe]

Supported E4438C with Option 001/601 or 002/602

Dual ARB Subsystem–Option 001/601 or 002/602 ([:SOURce]:RADio:ARB)

```
[ :SOURce ] :RADio:ARB [ :STATe ] ON | OFF | 1 | 0  
[ :SOURce ] :RADio:ARB [ :STATe ] ?
```

This command enables or disables the arbitrary waveform generator function.

***RST** 0

Key Entry **ARB Off On**

Multitone Subsystem–Option 001/601 or 002/602 [:SOURce]:RADio:MTONe:ARB)

Creating a Multitone Waveform

Use the following steps to create a multitone waveform:

1. Initialize the phase for the multitone waveform. Refer to “:SETup:TABLE:PHASe:INITialize” on page 338.
2. Assign the frequency spacing between the tones. Refer to “:SETup:TABLE:FSPacing” on page 337.
3. Define the number of tones within the waveform. Refer to “:SETup:TABLE:NTONes” on page 337.
4. Modify the power level, phase, and state of any individual tones. Refer to “:ROW” on page 334.

:HEADer:CLEAr

Supported E4438C with Option 001/601 or 002/602

[:SOURce] :RADio:MTONe:ARB:HEADer:CLEAr

This command clears the header information from the file header used by this modulation format.

Key Entry Clear Header

Remarks The **Multitone Off On** softkey must be set to On for this command to function.

:HEADer:SAVE

Supported E4438C with Option 001/601 or 002/602

[:SOURce] :RADio:MTONe:ARB:HEADer:SAVE

This command saves the header information to the file header used by this modulation format.

Key Entry Save Setup To Header

Remarks The **Multitone Off On** softkey must be set to On for this command to function.

:IQ:EXternal:FILTer

Supported E4438C with Option 001/601 or 002/602

```
[ :SOURCE ] :RADio:MTONE:ARB:IQ:EXternal:FILTer 40e6 | THRough
[ :SOURCE ] :RADio:MTONE:ARB:IQ:EXternal:FILTer?
```

This command selects the filter or through path for I/Q signals routed to the rear panel I and Q outputs. Selecting a filter using this command will automatically set “:IQ:EXternal:FILTer:AUTO” on [page 327](#) to OFF(0) mode.

40e6 This choice applies a 40 MHz baseband filter.

THRough This choice bypasses filtering.

***RST** THR

Key Entry 40.000 MHz Through

:IQ:EXternal:FILTer:AUTO

Supported E4438C with Option 001/601 or 002/602

```
[ :SOURCE ] :RADio:MTONE:ARB:IQ:EXternal:FILTer:AUTO ON | OFF | 1 | 0
[ :SOURCE ] :RADio:MTONE:ARB:IQ:EXternal:FILTer:AUTO?
```

This command enables or disables the automatic selection of the filters for I/Q signals routed to the rear panel I/Q outputs.

ON(1) This choice will automatically select a digital modulation filter optimized for the current signal generator settings.

OFF(0) This choice disables the auto feature which lets you select a digital modulation filter or through path. Refer to “:IQ:EXternal:FILTer” on [page 327](#) for selecting a filter or through path.

***RST** 1

Key Entry I/Q Output Filter Manual Auto

:IQ:MODulation:ATTen

Supported E4438C with Option 001/601 or 002/602

```
[ :SOURce ] :RADio:MTONE:ARB:IQ:MODulation:ATTen <val>
```

```
[ :SOURce ] :RADio:MTONE:ARB:IQ:MODulation:ATTen?
```

This command attenuates the I/Q signals being modulated through the signal generator RF path.

The variable <val> is expressed in units of decibels (dB).

***RST** +2.00000000E+000

Range 0–40

Key Entry Modulator Atten Manual Auto

:IQ:MODulation:ATTen:AUTO

Supported E4438C with Option 001/601 or 002/602

```
[ :SOURce ] :RADio:MTONE:ARB:IQ:MODulation:ATTen:AUTO ON|OFF|1|0
```

```
[ :SOURce ] :RADio:MTONE:ARB:IQ:MODulation:ATTen:AUTO?
```

This command enables or disables the I/Q attenuation auto mode.

ON (1) This choice enables the attenuation auto mode which optimizes the modulator attenuation for the current conditions.

OFF (0) This choice holds the attenuator at its current setting or at a selected value. Refer to “:IQ:MODulation:ATTen” on page 328 for setting the attenuation value.

***RST** 1

Key Entry Modulator Atten Manual Auto

:IQ:MODulation:FILTer

Supported E4438C with Option 001/601 or 002/602

```
[ :SOURce ] :RADio:MTONE:ARB:IQ:MODulation:FILTer 2.1e6 | 40e6 | THROugh
[ :SOURce ] :RADio:MTONE:ARB:IQ:MODulation:FILTer?
```

This command enables you to select a filter or through path for I/Q signals modulated onto the RF carrier. Selecting a filter using this command will automatically set “[:IQ:MODulation:FILTer:AUTO](#)” on [page 329](#) to OFF(0) mode.

2.1E6 This choice applies a 2.1 MHz baseband filter to the I/Q signals.

40E6 This choice applies a 40 MHz baseband filter to the I/Q signals.

THROugh This choice bypasses filtering.

***RST** THR

Key Entry 2.100 MHz 40.000 MHz Through

:IQ:MODulation:FILTer:AUTO

Supported E4438C with Option 001/601 or 002/602

```
[ :SOURce ] :RADio:MTONE:ARB:IQ:MODulation:FILTer:AUTO ON | OFF | 1 | 0
[ :SOURce ] :RADio:MTONE:ARB:IQ:MODulation:FILTer:AUTO?
```

This command enables or disables the automatic selection of the filters for I/Q signals modulated onto the RF carrier.

ON(1) This choice will automatically select a digital modulation filter.

OFF(0) This choice disables the auto feature which lets you select a digital modulation filter or through path. Refer to “[:IQ:MODulation:FILTer](#)” on [page 329](#) for selecting a filter or through path.

***RST** 1

Key Entry I/Q Mod Filter Manual Auto

:MDEStination:AAMPlitude

Supported E4438C with Option 001/601 or 002/602

```
[ :SOURce ] :RADio:MTONE:ARB:MDEStination:AAMPlitude NONE | M1 | M2 | M3 | M4
[ :SOURce ] :RADio:MTONE:ARB:MDEStination:AAMPlitude?
```

This command routes the selected marker to the Alternate Amplitude function. The NONE parameter clears the marker for the Alternate Amplitude function.

*RST	NONE				
Key Entry	None	Marker 1	Marker 2	Marker 3	Marker 4

:MDEStination:ALCHold

Supported E4438C with Option 001/601 or 002/602

CAUTION Incorrect automatic level control (ALC) sampling can create a sudden unlevelled condition that may create a spike in the RF output potentially damaging a DUT or connected instrument. Ensure that you set markers to let the ALC sample over an amplitude that accounts for the high power levels within the signal.

```
[ :SOURCE ] :RADio:MTONE:ARB:MDEStination:ALCHold NONE | M1 | M2 | M3 | M4
[ :SOURCE ] :RADio:MTONE:ARB:MDEStination:ALCHold?
```

This command enables or disables the marker ALC hold function for the selected marker. For setting markers, see “:MARKer:[SET]” on page 302.

Use the ALC hold function when you have a waveform signal that incorporates idle periods, or when the increased dynamic range encountered with RF blanking is not desired. The ALC leveling circuitry responds to the marker signal during the marker pulse (marker signal high), averaging the modulated signal level during this period.

The ALC hold function operates during the low periods of the marker signal. The marker polarity determines when the marker signal is high. For a positive polarity, this is during the marker points. For a negative polarity, this is when there are no marker points. For setting a marker’s polarity, see “:MPOLarity:MARKer1|2|3|4” on page 333.

NOTE Do not use the ALC hold for more than 100 ms, because it can affect the waveform’s output amplitude.

The marker signal has a minimum of a two-sample delay in its response relative to the waveform signal response. To compensate for the marker signal delay, offset marker points from the waveform sample point at which you want the ALC sampling to begin.

The ALC hold setting is part of the file header information, so saving the setting to the file header saves the current marker routing for the waveform file.

NOTE A waveform file that has unspecified settings in the file header uses the previous waveform’s routing settings.

For more information on the marker ALC hold function, see the *E4428C/38C ESG Signal Generators User's Guide*. For setting the marker points, see “:MARKer:[SET]” on page 302.

NONE	This terminates the marker ALC hold function.
M1–M4	These are the marker choices. The ALC hold feature uses only one marker at a time.
*RST	NONE

Example

```
:RAD:AWGB:ARB:MDES:ALCH M1
```

The preceding example routes marker 1 to the ALC Hold function.

Key Entry	None	Marker 1	Marker 2	Marker 3	Marker 4
Remarks	N/A				

:MDEStination:PULSe

Supported E4438C with Option 001/601 or 002/602

CAUTION The pulse function incorporates ALC hold. Incorrect automatic level control (ALC) sampling can create a sudden unlevelled condition that may create a spike in the RF output potentially damaging a DUT or connected instrument. Ensure that you set markers to let the ALC sample over an amplitude that accounts for the high power levels within the signal.

```
[ :SOURce ] :RADio :MTONE :ARB :MDEStination :PULSe NONE | M1 | M2 | M3 | M4
[ :SOURce ] :RADio :MTONE :ARB :MDEStination :PULSe ?
```

This command enables or disables the marker pulse/RF blanking function for the selected marker.

This function automatically incorporates the ALC hold function, so there is no need to select both the ALC hold and pulse/RF blanking functions for the same marker.

NOTE Do not use ALC hold for more than 100 ms, because it can affect the waveform's output amplitude.

The signal generator blanks the RF output when the marker signal goes low. The marker polarity determines when the marker signal is low. For a positive polarity, this is during the marker points. For a negative polarity, this is when there are no marker points. For setting a marker's polarity, see “:MPOLarity:MARKer1|2|3|4” on page 333.

NOTE Set marker points prior to using this function. Enabling this function without setting marker points may create a continuous low or high marker signal, depending on the marker polarity. This causes either no RF output or a continuous RF output. See “:MARKer:[SET]” on page 302 for setting the marker points.

The marker signal has a minimum of a two-sample delay in its response relative to the waveform signal response. To compensate for the marker signal delay, offset marker points from the waveform sample point at which you want the RF blanking to begin. The RF blanking setting is part of the file header information, so saving the setting to the file header saves the current marker routing for the waveform file.

NOTE A waveform file that has unspecified settings in the file header uses the previous waveform’s routing settings. This could create the situation where there is no RF output signal, because the previous waveform used RF blanking.

For more information on the marker RF blanking function, see the *E4428C/38C ESG Signal Generators User’s Guide*.

NONE This terminates the marker RF blanking/pulse function.

M1–M4 These are the marker choices. The RF blanking/pulse feature uses only one marker at a time.

Example

```
:RAD:ARB:MDES:PULS M2
```

The preceding example routes marker 2 to Pulse/RF Blanking.

```
*RST NONE
```

Key Entry	None	Marker 1	Marker 2	Marker 3	Marker 4
-----------	------	----------	----------	----------	----------

:MPOLarity:MARKer1|2|3|4

Supported E4438C with Option 001/601 or 002/602

```
[ :SOURce ] :RADio:MTONE:ARB:MPOLarity:MARKer1|2|3|4 NEGative|POSitive
[ :SOURce ] :RADio:MTONE:ARB:MPOLarity:MARKer1|2|3|4?
```

This command sets the polarity for the selected marker. For a positive marker polarity, the marker signal is high during the marker points. For a negative marker polarity, the marker signal is high during the period of no marker points.

***RST** POS

Key Entry **Marker 1 Polarity Neg Pos Marker 2 Polarity Neg Pos Marker 3 Polarity Neg Pos**
Marker 4 Polarity Neg Pos

:REFerence:EXTernal:FREQuency

Supported E4438C with Option 001/601 or 002/602

```
[ :SOURce ] :RADio:MTONE:ARB:REFerence:EXTernal:FREQuency <val>
[ :SOURce ] :RADio:MTONE:ARB:REFerence:EXTernal:FREQuency?
```

This command allows you to enter the frequency of the applied external reference.

The variable <val> is expressed in units of Hertz (Hz–MHz).

***RST** +1.00000000E+007

Range 2.5E5–1E8

Key Entry **Reference Freq**

Remarks The value specified by this command is effective only when you are using an external ARB reference applied to the BASEBAND GEN REF IN rear panel connector.

To specify external as the ARB reference source type, refer to
[“:REFerence\[:SOURce\]” on page 333.](#)

:REFerence[:SOURce]

Supported E4438C with Option 001/601 or 002/602

```
[ :SOURce ] :RADio:MTONE:ARB:REFerence[ :SOURce ] INTernal|EXTernal
[ :SOURce ] :RADio:MTONE:ARB:REFerence[ :SOURce ]?
```

This command selects either an internal or external reference for the waveform clock.

*RST	INT
Key Entry	ARB Reference Ext Int
Remarks	<p>If the EXTERNAL choice is selected, the external frequency <i>value must</i> be entered and the signal must be applied to the BASEBAND GEN REF IN rear panel connector.</p> <p>Refer to “:REFERENCE:EXTERNAL:FREQUENCY” on page 333 to enter the external reference frequency.</p>

:ROW

Supported	E4438C with Option 001/601 or 002/602
	<pre>[:SOURce] :RADio:MTONe:ARB:SETup:TABLE:ROW <row_number> , <power> , <phase> , <state> [:SOURce] :RADio:MTONe:ARB:SETup:TABLE:ROW? <row_number></pre>
	This command modifies the indicated tone (row) of the multitone waveform.
<row_number>	The number of rows for this variable are determined by the :SETup:TABLE command.
	The variable <power> is expressed in units of decibels (dB).
	The variable <phase> is expressed in units of degrees (deg).
	Frequency offset, power, phase, and state value are returned when a query is initiated. The output format is as follows:
	<frequency offset> , <power> , <phase> , <state>
*RST	<i>frequency offset</i> : -3.5000000E+004 <power>: +0.0000000E+000 <phase>: +0.0000000E+000 <state>: 1
Range	<i>frequency offset</i> : -4E7 to 4E7 <power>: -80 to 0 <phase>: 0-359 <state>: 1
Key Entry	Goto Row Toggle State
Remarks	<p>Refer to “:SETup:TABLE” on page 336 for information on how to change the number of rows.</p> <p>This command is the final step in creating a multitone waveform. Refer to “Creating a Multitone Waveform” on page 326 for all four steps.</p>

:RSCALing

Supported E4438C with Option 001/601 or 002/602

```
[ :SOURCE ] :RADio:MTONe:ARB:RSCALing <val>
```

```
[ :SOURCE ] :RADio:MTONe:ARB:RSCALing?
```

This command adjusts the scaling value that is applied to the Multitone waveform while it is playing. The variable <val> is expressed as a percentage. Runtime scaling does not alter the waveform data file. For more information about runtime scaling, refer to the *E4428C/38C ESG Signal Generators User's Guide*.

Example

```
:RAD:MTON:ARB:RSC 50
```

The preceding example applies a 50% scaling factor to the selected waveform.

***RST** +7.00000000E+001

Range 1–100

Key Entry **Waveform Runtime Scaling**

Remarks Runtime scaling does not alter the waveform data file.

:SCLock:RATE

Supported E4438C with Option 001/601 or 002/602

```
[ :SOURCE ] :RADio:MTONe:ARB:SCLock:RATE <val>
```

```
[ :SOURCE ] :RADio:MTONe:ARB:SCLock:RATE?
```

This command sets the sample clock rate for the Multitone modulation format.

The variable <val> is expressed in units of hertz.

***RST** +1.00000000E+008

Range 1–1E8

Key Entry **ARB Sample Clock**

Remarks The modulation format should be active before executing this command. If this command is executed before the modulation format is active, the entered value will be overridden by a calculated factory default value. Refer to “[:STATE]” on [page 339](#) to activate the modulation format.

:SETup

Supported E4438C with Option 001/601 or 002/602

```
[ :SOURCE ]:RADio:MTONE:ARB:SETup "<file name>"
```

```
[ :SOURCE ]:RADio:MTONE:ARB:SETup?
```

This command retrieves a multitone waveform file.

Key Entry Load From Selected File

Remarks The name of a multitone waveform file is stored in the signal generator file system of MTONE files. This information is held in memory until you send the command that turns the waveform on.

Refer to “[File Name Variables](#)” on page 13 for information on the file name syntax.

:SETup:STORE

Supported E4438C with Option 001/601 or 002/602

```
[ :SOURCE ]:RADio:MTONE:ARB:SETup:STORE "<file name>"
```

This command stores the current multitone waveform setup in the signal generator file system of MTONE files.

Key Entry Store To File

:SETup:TABLE

Supported E4438C with Option 001/601 or 002/602

```
[ :SOURCE ]:RADio:MTONE:ARB:SETup:TABLE <freq_spacing> ,  
<num_tones> , { <phase> , <state> }
```

```
[ :SOURCE ]:RADio:MTONE:ARB:SETup:TABLE?
```

This command creates and configures a multitone waveform.

The frequency offset, power, phase, and state value are returned when a query is initiated. The output format is as follows:

```
<frequency offset> , <power> , <phase> , <state>
```

The variable <freq_spacing> is expressed in units of Hertz (Hz–MHz).

The variable <power> is expressed in units of decibels (dB).

*RST	Tone	<frequency offset>	<power>	<phase>	<state>
	Tone 1	-35000	+0.00000000E+000	+0	+1

Multitone Subsystem—Option 001/601 or 002/602 ([:SOURce]:RADio:MTONE:ARB)

*RST	Tone	<frequency offset>	<power>	<phase>	<state>
	Tone 2	-25000	+0.00000000E+000	+0	+1
	Tone 3	-15000	+0.00000000E+000	+0	+1
	Tone 4	-5000	+0.00000000E+000	+0	+1
	Tone 5	+5000	+0.00000000E+000	+0	+1
	Tone 6	+15000	+0.00000000E+000	+0	+1
	Tone 7	+25000	+0.00000000E+000	+0	+1
	Tone 8	+35000	+0.00000000E+000	+0	+1

Range <freq_spacing> (2 tones): 1E4–8E7 <num_tones>: 2–64
 <freq_spacing> (>2 tones): 1E4 to (80 MHz ÷ (num_tones – 1))
 <phase>: 0–359

Key Entry Freq Spacing Number Of Tones Toggle State

Remarks To set the frequency spacing, refer to “:SETup:TABLE:FSPacing” on page 337.

:SETup:TABLE:FSPacing

Supported E4438C with Option 001/601 or 002/602

[:SOURce] :RADio:MTONE:ARB:SETup:TABLE:FSPacing <freq_spacing>

[:SOURce] :RADio:MTONE:ARB:SETup:TABLE:FSPacing?

This command sets the frequency spacing between the tones.

The variable <freq_spacing> is expressed in units of Hertz (Hz–MHz).

***RST** +1.00000000E+004

Range <freq_spacing> (2 tones): 1E4–8E7
 <freq_spacing> (>2 tones): 1E4 to (80 MHz ÷ (num_tones – 1))

Key Entry Freq Spacing

Remarks To set frequency spacing and additional parameters required to create or configure a multitone waveform, refer to “:SETup:TABLE” on page 336.

This command is the second step in creating a multitone waveform. Refer to “Creating a Multitone Waveform” on page 326 for all four steps.

:SETup:TABLE:NTONES

Supported E4438C with Option 001/601 or 002/602

[:SOURce] :RADio:MTONE:ARB:SETup:TABLE:NTONES <num_tones>

[:SOURce] :RADio:MTONE:ARB:SETup:TABLE:NTONES?

This command defines the number of tones in the multitone waveform.

*RST	+8
Range	2–64
Key Entry	Number Of Tones
Remarks	To specify the number of tones and additional parameters required to create or configure a multitone waveform, refer to “:SETup:TABLE” on page 336. This command is the third step in creating a multitone waveform. Refer to “Creating a Multitone Waveform” on page 326 for all four steps.

:SETup:TABLE:PHASe:INITialize

Supported	E4438C with Option 001/601 or 002/602
	[:SOURCE] :RADio:MTONE:ARB:SETup:TABLE:PHASe:INITialize FIXed RANDOM [:SOURCE] :RADio:MTONE:ARB:SETup:TABLE:PHASe:INITialize?

This command initializes the phase in the multitone waveform table.

FIXed	This choice sets the phase of all tones to the fixed value of 0 degrees.
RANDom	This choice sets the phase of all tones to random values based on the setting on the random seed generator.
*RST	FIX

Key Entry **Initialize Phase Fixed Random**

Remarks To change the random number generator seed value, refer to “:SETup:TABLE:PHASe:INITialize:SEED” on page 338.

This command is the first step in creating a multitone waveform. Refer to “Creating a Multitone Waveform” on page 326 for all four steps.

:SETup:TABLE:PHASe:INITialize:SEED

Supported	E4438C with Option 001/601 or 002/602
	[:SOURCE] :RADio:MTONE:ARB:SETup:TABLE:PHASe:INITialize:SEED FIXed RANDOM [:SOURCE] :RADio:MTONE:ARB:SETup:TABLE:PHASe:INITialize:SEED?

This command initializes the random number generator seed that is used to generate the random phase values for the multitone waveform.

FIXed	This choice sets the random number generator seed to a fixed value.
RANDom	This choice sets the random number generator seed to a random value. This changes the phase value after each initialization of the phase.

***RST** FIX
Key Entry Random Seed Fixed Random

[:STATE]

Supported E4438C with Option 001/601 or 002/602

[:SOURce] :RADio :MTONE :ARB [:STATE] ON | OFF | 1 | 0
[:SOURce] :RADio :MTONE :ARB [:STATE] ?

This command enables or disables the multitone waveform generator function.

***RST** 0
Key Entry Multitone Off On

Wideband CDMA ARB Subsystem–Option 400 ([:SOURce]:RADio:WCDMa:TGPP:ARB)

:CLIPping:I

Supported E4438C with Option 400

```
[ :SOURce ]:RADio:WCDMa:TGPP:ARB:CLIPping:I <val>
```

```
[ :SOURce ]:RADio:WCDMa:TGPP:ARB:CLIPping:I?
```

This command limits the modulation level of the waveform's I component to a percentage of full scale.

The variable <val> is expressed in units of percent.

***RST** +1.00000000E+002

Range 10–100

Key Entry Clip |I| To

:CLIPping:POSition

Supported E4438C with Option 400

```
[ :SOURce ]:RADio:WCDMa:TGPP:ARB:CLIPping:POSition PRE|POST
```

```
[ :SOURce ]:RADio:WCDMa:TGPP:ARB:CLIPping:POSition?
```

This command specifies whether a waveform is clipped before (PRE) or after (POST) FIR filtering.

***RST** PRE

Key Entry Clip At PRE POST FIR Filter

:CLIPping:Q

Supported E4438C with Option 400

```
[ :SOURce ]:RADio:WCDMa:TGPP:ARB:CLIPping:Q <val>
```

```
[ :SOURce ]:RADio:WCDMa:TGPP:ARB:CLIPping:Q?
```

This command limits the modulation level of the waveform's Q component to a percentage of full scale.

The variable <val> is expressed in units of percent.

***RST** +1.00000000E+002

Range 10–100
Key Entry Clip |Q| To

:CLIPping:TYPE

Supported E4438C with Option 400

```
[ :SOURce ] :RADio:WCDMa:TGPP:ARB:CLIPping:TYPE IJQ | IORQ
[ :SOURce ] :RADio:WCDMa:TGPP:ARB:CLIPping:TYPE?
```

This command selects either IJQ or IORQ as the clipping type.

IJQ The combined I and Q waveform will be clipped (*circular clipping*).

IORQ The I and Q components of the waveform are clipped independently (*rectangular clipping*). I and Q can be clipped to different levels using this mode.

***RST** IJQ

Key Entry Clipping Type |I+jQ| |I|,|Q|

:CLIPping[:IJQ]

Supported E4438C with Option 400

```
[ :SOURce ] :RADio:WCDMa:TGPP:ARB:CLIPping[ :IJQ ] <val>
[ :SOURce ] :RADio:WCDMa:TGPP:ARB:CLIPping[ :IJQ ]?
```

This command clips (limits) the modulation level of the combined I and Q waveform to a percentage of full scale.

The variable <val> is expressed in units of percent.

***RST** +1.00000000E+002

Range 10–100

Key Entry Clip |I+jQ| To

:CRATe

Supported E4438C with Option 400

[:SOURce]:RADio:WCDMa:TGPP:ARB:CRATe <val>

[:SOURce]:RADio:WCDMa:TGPP:ARB:CRATe?

This command sets the chip rate value.

***RST** +3.84000000E+006

Range 3456000–4224000

Key Entry Chip Rate

:FILTer

Supported E4438C with Option 400

[:SOURce]:RADio:WCDMa:TGPP:ARB:FILTer RNYQuist|NYQuist|GAUSSian|RECTangle|WCDMA|AC4Fm|IS2000SR3DS|UGGaussian| "<user FIR>"

[:SOURce]:RADio:WCDMa:TGPP:ARB:FILTer?

This command selects the pre-modulation filter type.

WCDMA This choice selects a 0.22 Nyquist filter optimized for ACP.

AC4Fm This choice selects a predefined Association of Public Safety Communications Officials (APCO) specified compatible 4-level frequency modulation (C4FM) filter.

IS2000SR3DS This choice selects an IS-2000 standard, spread rate 3 direct spread filter.

UGGaussian This choice selects a backwards compatible GSM Gaussian filter (Gaussian filter with a fixed BbT value of 0.300) for the ESG E44xxB Option UN3 or UN4.

"<user FIR>" This variable is any FIR filter file that you have stored in memory. The variable needs no directory path indicating the location of the file, such as FIR: or /USER/FIR. The command assumes the FIR directory. Refer to [“File Name Variables” on page 13](#) for more information on file names.

***RST** NYQ

Key Entry	Root Nyquist	Nyquist	Gaussian	Rectangle	WCDMA
	APCO 25 C4FM	IS-95	UN3/4 GSM Gaussian	IS-2000 SR3 DS	
	User FIR				

:FILTER:ALPHA

Supported E4438C with Option 400

```
[ :SOURCE ] :RADIo:WCDMa:TGPP:ARB:FILTer:ALPHA <val>
```

```
[ :SOURCE ] :RADIo:WCDMa:TGPP:ARB:FILTer:ALPHA?
```

This command sets the alpha value for the Nyquist or root Nyquist filter.

The filter alpha value can be set to the minimum level (0), the maximum level (1), or in between by using fractional numeric values (0.001–0.999).

***RST** +2.20000000E–001

Range 0.000–1.000

Key Entry Filter Alpha

Remarks To change the current filter type, refer to “:FILTER” on page 342.

:FILTER:BBT

Supported E4438C with Option 400

```
[ :SOURCE ] :RADIo:WCDMa:TGPP:ARB:FILTer:BBT <val>
```

```
[ :SOURCE ] :RADIo:WCDMa:TGPP:ARB:FILTer:BBT?
```

This command changes the bandwidth-multiplied-by-bit-time (BbT) filter parameter.

The filter BbT value can be set to the minimum level (0), the maximum level (1), or in between by using fractional numeric values (0.001–0.999).

***RST** +5.00000000E–001

Range 0.000–1.000

Key Entry Filter BbT

Remarks This command is effective only after choosing a Gaussian filter. It does not have an effect on other types of filters.

To change the current filter type, refer to “:FILTER” on page 342.

:FILTer:CHANnel**Supported** E4438C with Option 400[:SOURce]:RADio:WCDMa:TGPP:ARB:FILTer:CHANnel EVM|ACP
[:SOURce]:RADio:WCDMa:TGPP:ARB:FILTer:CHANnel?

This command optimizes the Nyquist and root Nyquist filters to minimize error vector magnitude (EVM) or to minimize adjacent channel power (ACP).

EVM This choice provides the most ideal passband.

ACP This choice improves stopband rejection.

RST** ACP**Key Entry** Optimize FIR For EVM ACP**Remarks** To change the current filter type, refer to “:FILTer” on page 342.**:HEADer:CLEAr*Supported** E4438C with Option 400

[:SOURce]:RADio:WCDMa:TGPP:ARB:HEADer:CLEAr

This command clears the header information from the file header used by this modulation format.

Key Entry Clear Header**Remarks** The **W-CDMA Off On** softkey must be set to On for this command to function.**:HEADer:SAVE****Supported** E4438C with Option 400

[:SOURce]:RADio:WCDMa:TGPP:ARB:HEADer:SAVE

This command saves the header information to the file header used by this modulation format.

Key Entry Save Setup To Header**Remarks** The **W-CDMA Off On** softkey must be set to On for this command to function.**:IQ:EXTErnal:FILTer****Supported** E4438C with Option 400[:SOURce]:RADio:WCDMa:TGPP:ARB:IQ:EXTErnal:FILTer 40e6|THROUGH
[:SOURce]:RADio:WCDMa:TGPP:ARB:IQ:EXTErnal:FILTer?

This command selects the filter or through path for I/Q signals routed to the rear panel I and Q outputs. Selecting a filter using this command will automatically set “:IQ:EXTeRnal:FILTeR:AUTO” on [page 345](#) to OFF(0) mode.

40e6	This choice applies a 40 MHz baseband filter.
THRough	This choice bypasses filtering.
*RST	THR
Key Entry	40.000 MHz Through

:IQ:EXTeRnal:FILTeR:AUTO

Supported E4438C with Option 400

```
[ :SOURce ] :RADio:WCDMa:TGPP:ARB:IQ:EXTeRnal:FILTeR:AUTO ON|OFF|1|0
[ :SOURce ] :RADio:WCDMa:TGPP:ARB:IQ:EXTeRnal:FILTeR:AUTO?
```

This command enables or disables the automatic selection of the filters for I/Q signals routed to the rear panel I/Q outputs.

ON(1)	This choice will automatically select a digital modulation filter optimized for the current signal generator settings.
OFF(0)	This choice disables the auto feature which lets you select a digital modulation filter or through path. Refer to “:IQ:EXTeRnal:FILTeR” on page 344 for selecting a filter or through path.
*RST	1
Key Entry	I/Q Output Filter Manual Auto

:IQMap

Supported E4438C with Option 400

```
[ :SOURce ] :RADio:WCDMa:TGPP:ARB:IQMap NORMal|INVert
[ :SOURce ] :RADio:WCDMa:TGPP:ARB:IQMap?
```

This command selects whether or not the I/Q outputs will be inverted.

NORMal	This choice selects normal polarity.
INVerted	This choice inverts the internal Q signal.
*RST	NORM
Key Entry	I/Q Mapping Normal Invert

:IQ:MODulation:ATTen**Supported** E4438C with Option 400

[:SOURce]:RADio:WCDMa:TGPP:ARB:IQ:MODulation:ATTen <val>

[:SOURce]:RADio:WCDMa:TGPP:ARB:IQ:MODulation:ATTen?

This command attenuates the I/Q signals being modulated through the signal generator RF path.

The variable <val> is expressed in units of decibels (dB).

RST** +2.00000000E+00**Range** 0–40**Key Entry** Modulator Atten Manual Auto**:IQ:MODulation:ATTen:AUTO*Supported** E4438C with Option 400

[:SOURce]:RADio:WCDMa:TGPP:ARB:IQ:MODulation:ATTen:AUTO ON|OFF|1|0

[:SOURce]:RADio:WCDMa:TGPP:ARB:IQ:MODulation:ATTen:AUTO?

This command enables or disables the I/Q attenuation auto mode.

ON (1) This choice enables the attenuation auto mode which optimizes the modulator attenuation for the current conditions.

OFF (0) This choice holds the attenuator at its current setting or at a selected value. Refer to “:IQ:MODulation:ATTen” on page 346 for setting the attenuation value.

RST** 1**Key Entry** Modulator Atten Manual Auto**:IQ:MODulation:FILTer*Supported** E4438C with Option 400

[:SOURce]:RADio:WCDMa:TGPP:ARB:IQ:MODulation:FILTer 2.1e6|40e6|THROUGH

[:SOURce]:RADio:WCDMa:TGPP:ARB:IQ:MODulation:FILTer?

This command enables you to select a filter or through path for I/Q signals modulated onto the RF carrier. Selecting a filter using this command will automatically set “:IQ:MODulation:FILTer:AUTO” on page 347 to OFF(0) mode.

2.1E6 This choice applies a 2.1 MHz baseband filter to the I/Q signals.

40E6 This choice applies a 40 MHz baseband filter to the I/Q signals.

THROUGH This choice bypasses filtering.

***RST** THR
Key Entry 2.100 MHz 40.000 MHz Through

:IQ:MODulation:FILTer:AUTO

Supported E4438C with Option 400

```
[ :SOURCE ] :RADiO:WCDMa:TGPP:ARB:IQ:MODulation:FILTer:AUTO ON|OFF|1|0
[ :SOURCE ] :RADiO:WCDMa:TGPP:ARB:IQ:MODulation:FILTer:AUTO?
```

This command enables or disables the automatic selection of the filters for I/Q signals modulated onto the RF carrier.

ON(1) This choice will automatically select a digital modulation filter.

OFF(0) This choice disables the auto feature which lets you select a digital modulation filter or through path. Refer to “[:IQ:MODulation:FILTer](#)” on page 346 for selecting a filter or through path.

***RST** 1
Key Entry I/Q Mod Filter Manual Auto

:LINK

Supported E4438C with Option 400

```
[ :SOURCE ] :RADiO:WCDMa:TGPP:ARB:LINK DOWN|UP
[ :SOURCE ] :RADiO:WCDMa:TGPP:ARB:LINK?
```

This command selects either a downlink or uplink channel configuration.

***RST** DOWN
Key Entry Link Down Up

:LINK:DOWN:OACP

Supported E4438C with Option 400

```
[ :SOURCE ] :RADiO:WCDMa:TGPP:ARB:LINK:DOWN:OACP ADJ|ALT
[ :SOURCE ] :RADiO:WCDMa:TGPP:ARB:LINK:DOWN:OACP?
```

This command selects the channel power optimization type for any downlink channel W-CDMA setup.

ADJ This choice optimizes for adjacent channel power.

ALT This choice optimizes for alternate channel power.

*RST	ADJ
Key Entry	Optimize ACP ADJ ALT
Remarks	This command is operational for any downlink channel W-CDMA setup. To change the current W-CDMA setup information, refer to “:LINK:DOWN:SETup” on page 348.

:LINK:DOWN:SETup

Supported E4438C with Option 400

```
[ :SOURce ] :RADio :WCDMa :TGPP :ARB :LINK :DOWN :SETup DPCH1 | DPCH3 | PPSCH |
PPDPCH1 | PPDPCH3 | TM1D16 | TM1D32 | TM1D64 | TM2 | TM3D16 | TM3D32 | TM4 | TM5H2 | TM5H4 |
TM5H8 | MCArrier | "<file name>"
```

```
[ :SOURce ] :RADio :WCDMa :TGPP :ARB :LINK :DOWN :SETup?
```

This command selects a predefined channel setup or multicarrier, and turns multicarrier off or on (see the MCArrier choice description).

DPCH1	This choice selects 1 dedicated physical channel.
DPCH3	This choice selects 3 dedicated physical channels.
PPSCH	This choice selects a primary command control physical channel (PCCPCH) with a synchronization channel (SCH).
PPDPCH1	This choice selects a primary command control physical channel (PCCPCH) with a dedicated physical channel (DPCH).
PPDPCH3	This choice selects a primary command control physical channel (PCCPCH) with 3 dedicated physical channels.
TM1D16	This choice selects a Test Model 1 with 16 dedicated physical channels.
TM1D32	This choice selects a Test Model 1 with 32 dedicated physical channels.
TM1D64	This choice selects a Test Model 1 with 64 dedicated physical channels.
TM2	This choice selects a Test Model 2 downlink W-CDMA setup.
TM3D16	This choice selects a Test Model 3 with 16 dedicated physical channels.
TM3D32	This choice selects a Test Model 3 with 32 dedicated physical channels.
TM4	This choice selects a Test Model 4 downlink W-CDMA setup.
TM5H2	This choice selects a Test Model 5 with 6 DPCH and 2 HS-PDSCH (high speed physical shared channel) channels downlink W-CDMA setup.
TM5H4	This choice selects a Test Model 5 with 14 DPCH and 4 HS-PDSCH (high

	speed-physical downlink shared channel) channels downlink W-CDMA setup.																								
TM5H8	This choice selects a Test Model 5 with 30 DPCH and 8 HS-PDSCH (high speed physical shared channel) channels downlink WCDMA setup.																								
MCARrier	This choice selects multicarrier and turns it on. Selecting any other setup such as DPCH1 or TM1D16 turns multicarrier off. To select the multicarrier setup, see “:LINK:DOWN:SETup:MCARrier”.																								
"<file name>"	This choice selects a user-defined channel setup file. Refer to “File Name Variables” on page 13 for information on the file name syntax.																								
*RST	DPCH1																								
Key Entry	<table> <tr> <td>1 DPCH</td> <td>3DPCH</td> <td>PCCPCH + SCH</td> <td>PCCPCH + SCH + 1 DPCH</td> </tr> <tr> <td>PCCPCH + SCH + 3 DPCH</td> <td colspan="3">Test Model 1 w/ 16 DPCH</td> </tr> <tr> <td>Test Model 1 w/ 32 DPCH</td> <td>Test Model 1 w/ 64 DPCH</td> <td colspan="2">Test Model 2</td> </tr> <tr> <td>Test Model 3 w/ 16 DPCH</td> <td>Test Model 3 w/ 32 DPCH</td> <td colspan="2">Test Model 4</td> </tr> <tr> <td>Test Model 5 w/2HSPDSCH</td> <td colspan="3">Test Model 5 w/4HSPDSCH</td> </tr> <tr> <td>Test Model 5 w/ 8HSPDPCH</td> <td>Multicarrier Off On</td> <td colspan="2">Custom W-CDMA State</td> </tr> </table>	1 DPCH	3DPCH	PCCPCH + SCH	PCCPCH + SCH + 1 DPCH	PCCPCH + SCH + 3 DPCH	Test Model 1 w/ 16 DPCH			Test Model 1 w/ 32 DPCH	Test Model 1 w/ 64 DPCH	Test Model 2		Test Model 3 w/ 16 DPCH	Test Model 3 w/ 32 DPCH	Test Model 4		Test Model 5 w/2HSPDSCH	Test Model 5 w/4HSPDSCH			Test Model 5 w/ 8HSPDPCH	Multicarrier Off On	Custom W-CDMA State	
1 DPCH	3DPCH	PCCPCH + SCH	PCCPCH + SCH + 1 DPCH																						
PCCPCH + SCH + 3 DPCH	Test Model 1 w/ 16 DPCH																								
Test Model 1 w/ 32 DPCH	Test Model 1 w/ 64 DPCH	Test Model 2																							
Test Model 3 w/ 16 DPCH	Test Model 3 w/ 32 DPCH	Test Model 4																							
Test Model 5 w/2HSPDSCH	Test Model 5 w/4HSPDSCH																								
Test Model 5 w/ 8HSPDPCH	Multicarrier Off On	Custom W-CDMA State																							

:LINK:DOWN:SETup:MCARrier

Supported E4438C with Option 400

```
[ :SOURCE ] :RADIO :WCDMA :TGPP :ARB :LINK :DOWN :SETup :MCARrier CAR2 | CAR3 | CAR4 |
CAR4TM1D64 | "<file name>"
```

```
[ :SOURCE ] :RADIO :WCDMA :TGPP :ARB :LINK :DOWN :SETup :MCARrier?
```

This command defines the type of multicarrier W-CDMA setup.

CAR2 a standard 2-carrier setup with the following settings:

Carrier 1: PCCPCH + SCH, –7.5 MHz frequency offset, 0 dB power

Carrier 2: PCCPCH + SCH, 7.5 MHz frequency offset, 0 dB power

CAR3 a standard 3-carrier setup with the following settings:

Carrier 1: PCCPCH + SCH, –5 MHz frequency offset, 0 dB power

Carrier 2: PCCPCH + SCH, 0 kHz frequency offset, 0 dB power

Carrier 3: PCCPCH + SCH, 5 MHz frequency offset, 0 dB power

CAR4	a standard 4-carrier setup with the following settings: Carrier 1: PCCPCH + SCH, –7.5 MHz frequency offset, 0 dB power Carrier 2: PCCPCH + SCH, –2.5 MHz frequency offset, 0 dB power Carrier 3: PCCPCH + SCH, 2.5 MHz frequency offset, 0 dB power Carrier 4: PCCPCH + SCH, 7.5 MHz frequency offset, 0 dB power
CAR4TM1D64	a standard 4-carrier test model 1 with 64 dedicated physical channels setup with the following settings: Carrier 1: Test Model 1 w/64 DPCH, –7.5 MHz frequency offset, 0 dB power Carrier 2: Test Model 1 w/64 DPCH, –2.5 MHz frequency offset, 0 dB power Carrier 3: Test Model 1 w/64 DPCH, 2.5 MHz frequency offset, 0 dB power Carrier 4: Test Model 1 w/64 DPCH, 7.5 MHz frequency offset, 0 dB power
*RST	CAR2
Key Entry	2 Carriers 3 Carriers 4 Carriers
Remarks	Refer to “ File Name Variables ” on page 13 for information on the file name syntax.

:LINK:DOWN:SETup:MCARrier:CLIPping:I

Supported	E4438C with Option 400
	[:SOURce] :RADio:WCDMa:TGPP:ARB:LINK:DOWN:SETup:MCARrier:CLIPping:I <val> [:SOURce] :RADio:WCDMa:TGPP:ARB:LINK:DOWN:SETup:MCARrier:CLIPping:I?
	This command limits the modulation level of the waveform’s I component to a percentage of full scale.
	The variable <val> is expressed in units of percent.
*RST	+1.00000000E+002
Range	10–100
Key Entry	Clip I To

:LINK:DOWN:SETup:MCARrier:CLIPping:Q

Supported E4438C with Option 400

```
[ :SOURCE ] :RADio:WCDMa:TGPP:ARB:LINK:DOWN:SETup:MCARrier:CLIPping:Q <val>  
[ :SOURCE ] :RADio:WCDMa:TGPP:ARB:LINK:DOWN:SETup:MCARrier:CLIPping:Q?
```

This command limits the modulation level of the waveform's Q component to a percentage of full scale.

The variable <val> is expressed in units of percent.

***RST** +1.00000000E+002

Range 10–100

Key Entry Clip | Q | To

:LINK:DOWN:SETup:MCARrier:CLIPping:TYPE

Supported E4438C with Option 400

```
[ :SOURCE ] :RADio:WCDMa:TGPP:ARB:LINK:DOWN:SETup:MCARrier:CLIPping:  
TYPE IJQ | IORQ  
[ :SOURCE ] :RADio:WCDMa:TGPP:ARB:LINK:DOWN:SETup:MCARrier:CLIPping:TYPE?
```

This command selects either IJQ or IORQ as the clipping type.

IJQ The combined I and Q waveform will be clipped (*circular clipping*).

IORQ The I and Q components of the waveform are clipped independently (*rectangular clipping*). I and Q can be clipped to different levels using this mode.

***RST** IJQ

Key Entry Clipping Type | I+jQ | | I | , | Q |

:LINK:DOWN:SETup:MCARrier:CLIPping[:IJQ]

Supported E4438C with Option 400

```
[ :SOURCE ] :RADio:WCDMa:TGPP:ARB:LINK:DOWN:SETup:MCARrier:  
CLIPping[:IJQ] <val>  
[ :SOURCE ] :RADio:WCDMa:TGPP:ARB:LINK:DOWN:SETup:MCARrier:CLIPping[:IJQ]?
```

This command clips (limits) the modulation level of the combined I and Q waveform to a percentage of full scale.

The variable <val> is expressed in units of percent.

***RST** +1.00000000E+002

Range	10–100
Key Entry	Clip I+jQ To

:LINK:DOWN:SETup:MCARrier:SCODE:AINCrement

Supported E4438C with Option 400

```
[ :SOURce ] :RADio:WCDMa:TGPP:ARB:LINK:DOWN:SETup:MCARrier:SCODE:AINCrement
```

This command will sort carriers by frequency offset and auto-increment scramble codes starting from the current scramble code value for the lowest frequency carrier.

Key Entry Increment Scramble Code

Remarks If the lowest frequency carrier has a scramble code value of N/A, the auto-increment value will start at 0.

:LINK:DOWN:SETup:MCARrier:STORE

Supported E4438C with Option 400

```
[ :SOURce ] :RADio:WCDMa:TGPP:ARB:LINK:DOWN:SETup:MCARrier:STORE "<file name>"
```

This command stores the current multicarrier setup information.

The stored file contains information including the digital modulation format, number of carriers, frequency spacing, and power settings for the multicarrier setup.

Key Entry Store Custom Multicarrier

Remarks User defined files created using firmware prior to C.02.40 did not save the setting for Increment Scramble Code, Increment Timing Offset, and Clipping Type settings. When loading user defined files created with firmware prior to C.02.40, Increment Scramble Code and Increment Timing Offset will default to Off and the Clipping Type settings will default to 100%. Firmware C.02.40 will save the Increment Scramble Code, Increment Timing Offset and Clipping Type settings.

Refer to [“File Name Variables” on page 13](#) for information on the file name syntax.

:LINK:DOWN:SETup:MCARrier:TABLE

Supported E4438C with Option 400

```
[ :SOURCE]:RADIO:WCDMA:TGPP:ARB:LINK:DOWN:SETup:MCARrier:TABLE INIT |
APPend | <carrier_num>, DPCH1 | DPCH3 | PPSCH | PDPCH1 | PDPCH3 | TM1D16 | TM1D32 |
TM1D64 | TM2 | TM3D16 | TM3D32 | TM4 | TM5H2 | TM5H4 | TM5H8 | "<filename>", <freq_offset
>, <power>[, <scramble code>, <timing offset>, <initial phase>,
<pre-FIR circular clipping>[<clipping units {pct}|dB>],
<post-FIR circularclipping>[<clipping units {pct}|dB>]]
[:SOURCE]:RADIO:WCDMA:TGPP:ARB:LINK:DOWN:SETup:MCARrier:
TABLE? <carrier_num>
```

This command defines the multicarrier format and waveform.

Use INIT to clear the table and define the parameters for the first carrier; use APPend to add new channels. To edit an existing carrier, use its carrier number (<carrier_num>).

The variable <freq_offset> is expressed in units of Hertz (kHz–MHz).

The variable <power> is expressed in units of decibels (dB).

The carrier type, frequency offset, and power level are returned when a query is initiated. The output format is as follows:

```
<carrier type>, <freq_offset>, <power>
```

INIT	This choice clears the current information and creates a new one-row table, allowing for further definition using additional parameters.
APPend	This choice adds rows to an existing table. The maximum number of rows for one table is 16.
DPCH1	This choice selects 1 dedicated physical channel.
DPCH3	This choice selects 3 dedicated physical channels.
PPSCH	This choice selects a primary command control physical channel (PCCPCH) with a synchronization channel (SCH).
PDPCH1	This choice selects a primary command control physical channel (PCCPCH) with a dedicated physical channel (DPCH).
PDPCH3	This choice selects a primary command control physical channel (PCCPCH) with 3 dedicated physical channels.
TM1D16	This choice selects a test model 1 with 16 dedicated physical channels.
TM1D32	This choice selects a test model 1 with 32 dedicated physical channels.
TM1D64	This choice selects a test model 1 with 64 dedicated physical channels.

TM2	This choice selects a test model 2.
TM3D16	This choice selects a test model 3 with 16 dedicated physical channels.
TM3D32	This choice selects a test model 3 with 32 dedicated physical channels.
TM4	This choice selects a test model 4.
TM5H2	This choice selects a Test Model 5 with 6 DPCH and 2 HS-PDSCH (high speed physical shared channel) channels downlink W-CDMA setup.
TM5H4	This choice selects a Test Model 5 with 14 DPCH and 4 HS-PDSCH (high speed-physical downlink shared channel) channels downlink W-CDMA setup.
TM5H8	This choice selects a Test Model 5 with 30 DPCH and 8 HS-PDSCH (high speed physical shared channel) channels downlink W-CDMA setup.
<scramble code>	This variable sets the scramble code value.
<timing offset>	This variable sets the timing offset value.
<initial phase>	This variable sets the initial phase value. The units are not specified but the value represents degrees.
<clipping>	This variable sets the clipping value. If the units are not specified, the value will default to percent.
<carrier_num>	This variable specifies the number of multicarriers.
*RST	<i>carrier type</i> : PPSCH <i><freq_offset></i> : +7.50000000E+006 <i><power></i> : +0.00000000E+000
Range	<i><freq_offset></i> : -37.5E6 to 37.5E6 <i><power></i> : -40 to 0 <i>scramble code</i> : 0–511 <i>timing offset</i> : 0–149 <i>initial phase</i> : 0–359 <i>clipping(in units of percent)</i> : 0.0–100.0 or 0.0 to -20.0 (if units are dB)
Key Entry	1 DPCH 3 DPCH PCCPCH + SCH PCCPCH + SCH + 1 DPCH PCCPCH + SCH + 3 DPCH Test Model 1 w/ 16 DPCH Test Model 1 w/ 32 DPCH Test Model 1 w/ 64 DPCH Test Model 2 Test Model 3 w/ 16 DPCH Test Model 3 w/ 32 DPCH Test Model 4 Test Model 5 w/2HSPDSCH Test Model 5 w/4HSPDSCH Test Model 5 w/8HSPDSCH
Remarks	Refer to “ File Name Variables ” on page 13 for information on the file name syntax. If the parameter set by this command is changed while the signal is active, the apply command must be executed for the change to occur. Refer to

“:LINK:DOWN:SETup:TABLE:APPLY” on page 356.

:LINK:DOWN:SETup:MCARrier:TABLE:NCARriers

Supported E4438C with Option 400

[:SOURCE] : RADIO : WCDMA : TGPP : ARB : LINK : DOWN : SETup : MCARrier : TABLE : NCARriers ?

This command queries the number of carriers specified for the W-CDMA multicarrier waveform.

***RST** +2

:LINK:DOWN:SETup:MCARrier:TOFFset:AINCrement

Supported E4438C with Option 400

[:SOURCE] : RADIO : WCDMA : TGPP : ARB : LINK : DOWN : SETup : MCARrier : TOFFset :
AINCrement

This command will sort carriers by frequency offset and auto-increment timing offsets. The new values will start with the current timing offset for the lowest frequency carrier and increment by one for each subsequent carrier.

Key Entry Increment Timing Offset

:LINK:DOWN:SETup:STORE

Supported E4438C with Option 400

[:SOURCE] : RADIO : WCDMA : TGPP : ARB : LINK : DOWN : SETup : STORE "<file name>"

This command stores the current downlink setup information into the memory catalog with the entered file name.

Along with the contents of the W-CDMA channel table editor (channel types, Walsh code, power levels, PN offset, and data), this command stores the following information to the signal generator memory:

- FIR filter
- FIR filter file name
- FIR filter alpha
- FIR filter BbT
- FIR filter channel (EVM or ACP)
- I/Q mapping
- increment scramble code
- increment timing offset
- link
- spread type

spread rate
 ARB reference clock source (internal or external)
 ARB reference clock frequency
 clipping
 multicarrier spacing
 radio configuration

Key Entry **Store Custom W-CDMA State**

Remarks Refer to “File Name Variables” on page 13 for information on the file name syntax.

:LINK:DOWN:SETup:TABLE:APPLY

Supported E4438C with Option 400

```
[ :SOURce ] :RADio:WCDMa:TGPP:ARB:LINK:DOWN:SETup:TABLE:APPLY
```

This command generates a W-CDMA signal based on the current values in the W-CDMA channel setup table editor.

Key Entry **Apply Channel Setup**

:LINK:DOWN:SETup:TABLE:CHANnel

Supported E4438C with Option 400

```
[ :SOURce ] :RADio:WCDMa:TGPP:ARB:LINK:DOWN:SETup:TABLE:CHANnel INIT |
APPend | <chan_num> , <chan_type> , <symbol_rate> , <spread_code> , <power> ,
<timing_offset> , <TFCI> , <TPC> , <scramble_code> , STANdard | RALTErnate |
LALTErnate , <scramble_offset> , RANDom | PN9 | PINdicator |
<data_val> , <TFCI_power> , <TPC_power> , <pilot_power> , <pilot_bits>
[ :SOURce ] :RADio:WCDMa:TGPP:ARB:LINK:DOWN:SETup:TABLE:CHANnel? <chan_num>
```

This command sets up the W-CDMA downlink channel type parameters.

Use INIT to clear the table editor and define the parameters for the first channel; use APPend to add new channels. To edit an existing channel, use its channel number <chan_num>.

The <power>, <TFCI_power>, <TPC_power>, and <pilot_power> variables are expressed in units of decibels (dB).

The channel type, symbol rate, spread code, power, timing offset, TFCI value, TPC value, scramble code, scramble type, scramble offset, data type, TFCI power, TPC power, pilot power, and the number of pilot bits are returned when a query is initiated. The output format is as follows:

```
<chan_type> , <symbol_rate> , <spread_code> , <power> , <tDPCH_offset> , <TFCI> ,
<TPC> , <scramble_code> , <scramble_type> , <scramble_code> , <scramble_offset> ,
```

<data_type>, <TFCI_power>, <TPC_power>, <pilot_power>, <pilot_bits>

INIT This choice clears the current information and creates a new one-row table, allowing for further definition using additional parameters.

APPend This choice adds a row to an existing table.

<chan_num> This variable sets the physical channel number.

<chan_type> This variable sets the channel type.

<timing_offset> This variable sets the symbol offset.

<TFCI> This variable sets the transport format combination indicator.

<TPC> This variable sets the transmit power control.

STANdard This choice sets the scramble type to standard.

RALternate This choice sets the scramble type to right alternate.

LALternate This choice sets the scramble type to left alternate.

RANDom This choice sets a randomly generated pseudo-random sequence pattern as output data.

PN9 This choice sets an internally generated 9-bit pseudo-random sequence pattern as output data.

PINDicator This choice sets the paging indicator channel (PICH).

<data_val> This variable sets the data value.

<TFCI_power> This variable sets the transport format combination indicator power offset.

<TPC_power> This variable sets the transport power control power offset.

<pilot_power> This variable sets the pilot power offset.

<pilot_bits> This variable sets the number of pilot bits that will be in the dedicated physical channel (DPCH).

Table 5-1 Variables and Channel Types

	SSCH	CPICH	PCCPCH	SCCPCH	PICH	DPCH	OCNS	PSCH
Channel number	X	X	X	X	X	X	X	X
Symbol rate	N/A	N/A	N/A	X	N/A	X	X	N/A
Spread code	N/A	X	X	X	X	X	X	N/A

Table 5-1 Variables and Channel Types

	SSCH	CPICH	PCCPCH	SCCPCH	PICH	DPCH	OCNS	PSCH
Power	X	X	X	X	X	X	X	X
Symbol offset	N/A	N/A	N/A	N/A	X	X	N/A	N/A
TFCI	N/A	N/A	N/A	X	N/A	X	N/A	N/A
TPC	N/A	N/A	N/A	N/A	N/A	X	N/A	N/A
Scramble code	X	X	X	X	X	X	X	N/A
Standard	X	X	X	N/A	X	X	X	N/A
Right alternate	X	X	X	N/A	X	X	X	N/A
Left alternate	X	X	X	N/A	X	X	X	N/A
Scramble offset	X	X	X	X	X	X	X	N/A
Random	N/A	N/A	X	X	X	X	X	N/A
PN9	N/A	N/A	X	X	X	X	X	N/A
Paging Indicator	N/A	N/A	N/A	N/A	X	N/A	N/A	N/A
Data value	N/A	N/A	X	N/A	X	X	X	N/A
TFCI power	N/A	N/A	N/A	N/A	X	N/A	N/A	N/A
Pilot power offset	N/A	N/A	N/A	N/A	X	N/A	N/A	N/A
Pilot bits	N/A	N/A	N/A	X	X	N/A	N/A	N/A

Table 5-2 Variables and Channel Types

	HSPDSCH	HSSCCH
Channel number	X	X
Symbol rate	N/A (fixed to 30ksps)	N/A (fixed to 240ksps)
Spread code	X	X

Table 5-2 Variables and Channel Types

	HSPDSCH	HSSCCH
Power	X	X
Symbol offset	X	X
TFCI	N/A	N/A
TPC	N/A	N/A
Scramble code	X	X
Standard	X	X
Right alternate	X	X
Left alternate	X	X
Scramble offset	X	X
Random	X	X
PN9	X	X
Paging Indicator	N/A	N/A
Data value	X	X
TFCI power	N/A	N/A
Pilot power offset	N/A	N/A
Pilot bits	N/A	N/A

```
*RST      <chan_type>: DPCH  <symbol_rate>: +3.00000000E+004
          <spread_code>: +8   <scramble_offset>: +0.00000000E+000
          power: +0.00000000E+000   <tDPCH_offset>: +0   <TFCI>: +0
          <TPC>: #H5555   <scramble_code>: +0   scramble type: STAN
          <TFCI_power>: +0.00000000E+000
          <TPC_power>: +0.00000000E+000   <pilot_power>: +0.00000000E+000
          <pilot_bits>: +4
```

Range

<chan_type>: PSCH SSCH CPICH PCCPch SCCPch
 DPCH PICH OCNS HSSCch HSPDsch
 <power>: -40 to 0 <DPCH_offset>: 0-149 <TFCI>: 0-1023
 <TPC>: 0000-7FFF <scramble_code>: 0-511
 <scramble_offset>: 0-15 <data_val>: 00000000-11111111
 <TFCI_power>: -20 to 20 <TPC_power>: -20 to 20
 <pilot_power>: 0000-7FFF <pilot_bits>: 0-511

SCCPCH Channel

<symbol_rate>	<spread_code>	*<pilot_bits>
15 ksps	0-256	0,8
30 ksps	0-128	0,8
60 ksps	0-64	0,8
120 ksps	0-32	0,8
240 ksps	0-16	0,16
480 ksps	0-8	0,16
960 ksps	0-4	0,16

All Other Channels

<symbol_rate>	<spread_code>	<pilot_bits>
7.5 ksps	0-511	4
15 ksps	0-255	2,4,8
30 ksps	0-127	4,8
60 ksps	0-63	8
120 ksps	0-31	8
240 ksps	0-15	16
480 ksps	0-7	16
960 ksps	0-3	16

Key Entry

Channel	Type	Symbol Rate	First Spread Code	Power			
Spread Code		TFCI Field Off On	Scramble Code	Scramble Offset			
Random	PN9	Standard	Left Alternate	Right Alternate			
PCCPCH	SCCPCH	PSCH	SSCH	CPICH	DPCH	PICH	OCNS
HSPDSCH	HSSCCH						

Field Entry

Spread Code	Power	Timing Offset	TFCI	Scramble Code
TFCI Power	TPC Power	Pilot Power	Pilot Bits	Data
Scramble Type	Scramble Offset			

Remarks For additional information, refer to the 3GPP TS 25.211 (V 3.7) standard.

If the parameter set by this command is changed while the signal is active, the apply command must be executed for the change to occur. Refer to “:LINK:DOWN:SETup:TABLE:APPLY” on page 356.

:LINK:DOWN:SETup:TABLE:NCHannels?

Supported E4438C with Option 400

[:SOURCE] :RADIO:WCDMA:TGPP:ARB:LINK:DOWN:SETup:TABLE:NCHannel?

This command queries the number of channels being used for the carrier.

***RST** 1

:LINK:DOWN:SETup:TABLE:PADJust

Supported E4438C with Option 400

[:SOURCE] :RADIO:WCDMA:TGPP:ARB:LINK:DOWN:SETup:TABLE:PADJust EQUAL|SCALE

This command sets the code domain power.

EQUAL This choice will adjust all channel powers to have equal energy per symbol, referenced to 7.5 ksps and increasing by 3 dB for each doubling of the symbol rate.

SCALE This choice will scale the channel power levels so that the sum of the powers are equal to 0 dB.

Key Entry **Equal Energy per Symbol** **Scale To 0dB**

Remarks This command is available in downlink only.

:LINK:DOWN:TFCI

Supported E4438C with Option 400

[:SOURCE] :RADIO:WCDMA:TGPP:ARB:LINK:DOWN:TFCI ON|OFF|1|0

[:SOURCE] :RADIO:WCDMA:TGPP:ARB:LINK:DOWN:TFCI?

This command enables or disables the transport format combination indicator (TFCI) field for all channels.

***RST** 1

Key Entry TFCI Field Off On

:LINK:UP:OACP**Supported** E4438C with Option 400

```
[ :SOURce ] :RADio:WCDMa:TGPP:ARB:LINK:UP:OACP ADJ | ALT
[ :SOURce ] :RADio:WCDMa:TGPP:ARB:LINK:UP:OACP?
```

This command selects the channel power optimization type for any uplink channel W-CDMA setup.

ADJ This choice optimizes for adjacent channel power.

ALT This choice optimizes for alternate channel power.

***RST** ADJ

Key Entry Optimize ACP ADJ ALT

Remarks This command is only operational for any uplink channel W-CDMA setup.

To change the current W-CDMA setup information, refer to “[:LINK:UP:SETup](#)” on page 363.

:LINK:UP:SCRAMBLE**Supported** E4438C with Option 400

```
[ :SOURce ] :RADio:WCDMa:TGPP:ARB:LINK:UP:SCRAMBLE <val>
[ :SOURce ] :RADio:WCDMa:TGPP:ARB:LINK:UP:SCRAMBLE?
```

This command sets the scramble code for the uplink.

***RST** #H000000

Range #H0–FFFFFFF

Key Entry Scramble Code

:LINK:UP:SDPDch**Supported** E4438C with Option 400

```
[ :SOURce ] :RADio:WCDMa:TGPP:ARB:LINK:UP:SDPDch I | Q
[ :SOURce ] :RADio:WCDMa:TGPP:ARB:LINK:UP:SDPDch?
```

This command selects whether the second dedicated physical data channel (SDPDCH) will be put onto I or Q.

***RST** Q

Key Entry Second DPDCH I Q

:LINK:UP:SETup**Supported** E4438C with Option 400

```
[ :SOURCE ] :RADIO:WCDMA:TGPP:ARB:LINK:UP:SETup DPCCH|DDPDCH1|DDPDCH2|
DDPDCH3|DDPDCH4|DDPDCH5| " <file name> "
[ :SOURCE ] :RADIO:WCDMA:TGPP:ARB:LINK:UP:SETup?
```

This command selects a dedicated physical control channel (DPCCH) for uplink with the option to add one or more dedicated physical data channel (DPDCH) or a previously stored setup.

DPCCH	This choice selects 1 dedicated physical control channel.
DDPDCH1	This choice selects 1 dedicated physical control channel and 1 dedicated physical data channel.
DDPDCH2	This choice selects 1 dedicated physical control channel and 2 dedicated physical data channel.
DDPDCH3	This choice selects 1 dedicated physical control channel and 3 dedicated physical data channel.
DDPDCH4	This choice selects 1 dedicated physical control channel and 4 dedicated physical data channel.
DDPDCH5	This choice selects 1 dedicated physical control channel and 5 dedicated physical data channel.

***RST** DPCCH

Key Entry	DPCCH	DPCCH + 1 DPDCH	DPCCH + 2 DPDCH	DPCCH + 3 DPDCH
	DPCCH + 4 DPDCH	DPCCH + 5 DPDCH	Custom WCDMA State	

Remarks Refer to [“File Name Variables” on page 13](#) for information on the file name syntax.

If the parameter set by this command is changed while the signal is active, the apply command must be executed for the change to occur. Refer to [“:LINK:UP:SETup:TABLE:APPLY” on page 364](#).

:LINK:UP:SETup:STORe

Supported E4438C with Option 400

```
[ :SOURCE ] :RADio:WCDMa:TGPP:ARB:LINK:UP:SETup:STORe "<file name>"
```

This command stores the current state into a designated file name.

Key Entry Store To File

Remarks You can recall a saved state from signal generator memory (non-volatile) by executing the following commands (using a designated file name):

For downlink, refer to “:LINK:DOWN:SETup” on page 348.

For uplink, refer to “:LINK:UP:SETup” on page 363.

Refer to “File Name Variables” on page 13 for information on the file name syntax.

:LINK:UP:SETup:TABLE:APPLy

Supported E4438C with Option 400

```
[ :SOURCE ] :RADio:WCDMa:TGPP:ARB:LINK:UP:SETup:TABLE:APPLy
```

This command applies the signal based on the current values in the W-CDMA channel setup table editor.

Key Entry Apply Channel Setup

Remarks Refer to “File Name Variables” on page 13 for information on the file name syntax.

:LINK:UP:SETup:TABLE:CHANnel

Supported E4438C with Option 400

```
[ :SOURCE ] :RADio:WCDMa:TGPP:ARB:LINK:UP:SETup:TABLE:CHANnel
INIT|APPend|<chan_num>,<chan_type>,<symbol_rate>,<spread_code>,<power>,<TFCCI>,<TCP>,<RANDOM|<data_val>,<fbi_bits_count>,<fbi_bits_value>
[ :SOURCE ] :RADio:WCDMa:TGPP:ARB:LINK:UP:SETup:TABLE:CHANnel? <chan_num>
```

This command defines the channel parameters of the signal.

Use INIT to clear the table editor and define the parameters for the first channel; use APPend to add new channels. To edit an existing channel, use its channel number <chan_num>.

The variable <power> is expressed in units of decibels (dB).

The channel type, symbol rate, spread code, power, TFCI value, TPC value, data value, FBI bit count, and FBI bit value are returned when a query is initiated. The output format is as follows:

```
<chan_type> , <symbol_rate> , <spread_code> , <power> , <TFCI> , <TCP> , <data_val> ,
<fbi_bits_count> , <fbi_bits_value>
```

INIT This choice clears the current information and creates a new one-row table, allowing for further definition using additional parameters.

APPend This choice adds a row to an existing table.

RANDom This choice selects random data format for the digital modulation signal.

<fbi_bits_count> This variable sets the number of feedback information (FBI) bits.

<fbi_bits_value> This variable sets the value of the FBI bits.

```
*RST      <chan_type>: DPCH      <symbol_rate>: +1.50000000E+
          <spread_code>: +0      <power>: +0.00000000E+000      <TFCI>: +0
          <TPC>: #H5555      <data_val>: RAND      <FBI Bits Count: +0
          <FBI Bit Count: +0
```

```
Range   <power>: -40 to 0      <data_val>: 00000000-11111111
          <fbi_bits_count>: 0-2      <fbi_bits_value>: 0-3
```

<symbol_rate>	<spread_rate>
7.5 ksps	0-511
15 ksps	0-255
30 ksps	0-127
60 ksps	0-63
120 ksps	0-31
240 ksps	0-15
480 ksps	0-7
960 ksps	0-3

Key Entry	Channel	Type	Symbol Rate	First Spread Code	Power
	Spread Code	TFCI Field	Off On	Scramble Code	Scramble Offset
Random					

Remarks If the parameter set by this command is changed while the signal is active, the apply command must be executed for the change to occur. Refer to [“:LINK:UP:SETup:TABLE:APPLY” on page 364](#).

:LINK:UP:SETup:TABLE:GUNit**Supported** E4438C with Option 400[:SOURce]:RADio:WCDMa:TGPP:ARB:LINK:UP:SETup:TABLE:GUNit DB|LINear|INDex
[:SOURce]:RADio:WCDMa:TGPP:ARB:LINK:UP:SETup:TABLE:GUNit?

This command selects the uplink power measurement units.

DB The power is set in decibels-exponential.**LINear** The power is set to increase linearly.**INDex** The power is set at an index level - steps.***RST** DB**Key Entry** Gain Unit dB Lin Index**Remarks** If the parameter set by this command is changed while the signal is active, the apply command must be executed for the change to occur. Refer to “:LINK:UP:SETup:TABLE:APPLY” on page 364.**:LINK:UP:SETup:TABLE:NCHannel****Supported** E4438C with Option 400

[:SOURce]:RADio:WCDMa:TGPP:ARB:LINK:UP:SETup:TABLE:NCHannels?

This command queries the setup table for the number of uplink channels.

RST** 1**:LINK:UP:TFCI*Supported** E4438C with Option 400[:SOURce]:RADio:WCDMa:TGPP:ARB:LINK:UP:TFCI ON|OFF|1|0
[:SOURce]:RADio:WCDMa:TGPP:ARB:LINK:UP:TFCI?

This command enables or disables the transport format combination indicator (TFCI) field for all channels in the table.

***RST** 1**Key Entry** TFCI Field Off On

:MDESTINATION:AAMPLITUDE**Supported** E4438C with Option 400

```
[ :SOURCE ] : RADIO : WCDMA : TGPP : ARB : MDESTINATION : AAMPLITUDE NONE | M1 | M2 | M3 | M4
[ :SOURCE ] : RADIO : WCDMA : TGPP : ARB : MDESTINATION : AAMPLITUDE?
```

This command routes the selected marker to the Alternate Amplitude function. The `NONE` parameter clears the marker to the Alternate Amplitude function.

RST** NONE**Key Entry** None Marker 1 Marker 2 Marker 3 Marker 4**:MDESTINATION:ALCHOLD*Supported** E4438C with Option 400

CAUTION Incorrect automatic level control (ALC) sampling can create a sudden unlevelled condition that may create a spike in the RF output potentially damaging a DUT or connected instrument. Ensure that you set markers to let the ALC sample over an amplitude that accounts for the high power levels within the signal.

```
[ :SOURCE ] : RADIO : WCDMA : TGPP : ARB : MDESTINATION : ALCHOLD NONE | M1 | M2 | M3 | M4
[ :SOURCE ] : RADIO : WCDMA : TGPP : ARB : MDESTINATION : ALCHOLD?
```

This command enables or disables the marker ALC hold function for the selected marker. For setting markers, see “[:MARKER:\[SET\]](#)” on page 302.

Use the ALC hold function when you have a waveform signal that incorporates idle periods, or when the increased dynamic range encountered with RF blanking is not desired. The ALC leveling circuitry responds to the marker signal during the marker pulse (marker signal high), averaging the modulated signal level during this period.

The ALC hold function operates during the low periods of the marker signal. The marker polarity determines when the marker signal is high. For a positive polarity, this is during the marker points. For a negative polarity, this is when there are no marker points. For setting a marker’s polarity, see “[:MPOLARITY:MARKER1|2|3|4](#)” on page 370.

NOTE Do not use the ALC hold for more than 100 ms, because it can affect the waveform’s output amplitude.

The marker signal has a minimum of a two-sample delay in its response relative to the waveform signal response. To compensate for the marker signal delay, offset marker points from the waveform sample point at which you want the ALC sampling to begin.

The ALC hold setting is part of the file header information, so saving the setting to the file header saves the current marker routing for the waveform file.

NOTE A waveform file that has unspecified settings in the file header uses the previous waveform’s routing settings.

For more information on the marker ALC hold function, see the *E4428C/38C ESG Signal Generators User’s Guide*. For setting the marker points, see “:MARKer:[SET]” on page 302.

NONE This terminates the marker ALC hold function.

M1–M4 These are the marker choices. The ALC hold feature uses only one marker at a time.

***RST** NONE

Example

```
:RAD:AWGB:ARB:MDES:ALCH M1
```

The preceding example routes marker 1 to the ALC Hold function.

Key Entry None Marker 1 Marker 2 Marker 3 Marker 4

Remarks N/A

:MDESTination:PULSe

Supported E4438C with Option 400

CAUTION The pulse function uses the ALC hold. Incorrect automatic level control (ALC) sampling can create a sudden unlevelled condition that may create a spike in the RF output potentially damaging a DUT or connected instrument. Ensure that you set markers to let the ALC sample over an amplitude that accounts for the high power levels within the signal.

```
[ :SOURce ]:RADio:WCDMa:TGPP:ARB:MDESTination:PULSe NONE | M1 | M2 | M3 | M4
[ :SOURce ]:RADio:WCDMa:TGPP:ARB:MDESTination:PULSe?
```

This command enables or disables the marker pulse/RF blanking function for the selected marker.

This function automatically uses the ALC hold function, so there is no need to select both the ALC hold and the pulse/RF blanking for the same marker.

NOTE Do not use ALC hold for more than 100 ms, because it can affect the waveform’s output amplitude.

The signal generator blanks the RF output when the marker signal goes low. The marker polarity determines when the marker signal is low. For a positive polarity, this is during the marker points. For a negative polarity, this is when there are no marker points. For setting a marker’s polarity, see “:MPOLarity:MARKer1|2|3|4” on page 370.

NOTE Set marker points prior to using this function. Enabling this function without setting marker points may create a continuous low or high marker signal, depending on the marker polarity. This causes either no RF output or a continuous RF output. See “:MARKer:[SET]” on page 302 for setting the marker points.

The marker signal has a minimum of a two-sample delay in its response relative to the waveform signal response. To compensate for the marker signal delay, offset marker points from the waveform sample point at which you want the RF blanking to begin. The RF blanking setting is part of the file header information, so saving the setting to the file header saves the current marker routing for the waveform file.

NOTE A waveform file that has unspecified settings in the file header uses the previous waveform’s routing settings. This could create the situation where there is no RF output signal, because the previous waveform used RF blanking.

For more information on the marker RF blanking function, see the *E4428C/38C ESG Signal Generators User’s Guide*.

NONE This terminates the marker RF blanking/pulse function.

M1–M4 These are the marker choices. The RF blanking/pulse feature uses only one marker at a time.

Example

```
:RAD:ARB:MDES:PULS M2
```

The preceding example routes marker 2 to Pulse/RF Blanking.

```
*RST NONE
```

Key Entry	None	Marker 1	Marker 2	Marker 3	Marker 4
-----------	------	----------	----------	----------	----------

:MPOLarity:MARKer1 | 2 | 3 | 4

Supported E4438C with Option 400

```
[ :SOURce ] :RADio:WCDMa:TGPP:ARB:MPOLarity:MARKer1 | 2 | 3 | 4 NEGative | POSitive
[ :SOURce ] :RADio:WCDMa:TGPP:ARB:MPOLarity:MARKer1 | 2 | 3 | 4?
```

This command sets the polarity for the selected marker. For a positive marker polarity, the marker signal is high during the marker points. For a negative marker polarity, the marker signal is high during the period of no marker points.

***RST** POS

Key Entry **Marker 1 Polarity Neg Pos** **Marker 2 Polarity Neg Pos** **Marker 3 Polarity Neg Pos**
Marker 4 Polarity Neg Pos

:REFerence:EXTernal:FREQuency

Supported E4438C with Option 400

```
[ :SOURce ] :RADio:WCDMa:TGPP:ARB:REFerence:EXTernal:FREQuency <val>
[ :SOURce ] :RADio:WCDMa:TGPP:ARB:REFerence:EXTernal:FREQuency?
```

This command sets the external reference frequency.

The variable <val> is expressed in hertz (Hz).

***RST** +1.00000000E+007

Range 2.5E5–1E8

Remarks The value specified by this command is effective only when you are using an external ARB reference applied to the BASEBAND GEN REF IN rear panel connector.

To specify external as the ARB reference source type, refer to
[“:REFerence\[:SOURce\]” on page 370.](#)

:REFerence[:SOURce]

Supported E4438C with Option 400

```
[ :SOURce ] :RADio:WCDMa:TGPP:ARB:REFerence[ :SOURce ] INTernal | EXTernal
[ :SOURce ] :RADio:WCDMa:TGPP:ARB:REFerence[ :SOURce ]?
```

This command selects either an internal or external reference for the waveform clock.

***RST** 0

Key Entry	ARB Reference Ext Int
Remarks	<p>If the EXTERNAL choice is selected, the external frequency value <i>must</i> be entered and the signal must be applied to the BASEBAND GEN REF IN rear panel connector.</p> <p>Refer to “:REFERENCE:EXTERNAL:FREQUENCY” on page 370 to enter the external reference frequency.</p>

:RETRigger

Supported E4438C with Option 400

```
[ :SOURCE ] :RADIO:WCDMA:TGPP:ARB:RETRigger ON | OFF | IMMEDIATE
[ :SOURCE ] :RADIO:WCDMA:TGPP:ARB:RETRigger?
```

This command sets the retrigger mode.

ON	This choice specifies that if a trigger occurs while a waveform is initiated, the waveform will retrigger at the end of the previous waveform sequence and play once more.
OFF	This choice specifies that if a trigger occurs while a waveform is initiated, the action will be ignored.
IMMEDIATE	This choice specifies that if a trigger occurs while a waveform is playing, the waveform will reset and replay from the start immediately upon receiving a trigger.

***RST** 0

Key Entry Retrigger Mode Off On

:REVISION

Supported E4438C with Option 400

```
[ :SOURCE ] :RADIO:WCDMA:TGPP:ARB:REVISION?
```

This command checks the 3GPP supported standard for the arbitrary waveform generator firmware.

:SCLock:RATE

Supported E4438C with Option 400

```
[ :SOURce ] :RADio:WCDMa:TGPP:ARB:SCLock:RATE <val>
```

```
[ :SOURce ] :RADio:WCDMa:TGPP:ARB:SCLock:RATE?
```

This command sets the sample clock rate for the W-CDMA modulation format.

The variable <val> is expressed in units of hertz.

***RST** +1.00000000E+008

Range 1–1E8

Key Entry ARB Sample Clock

Remarks The modulation format should be active before executing this command. If this command is executed before the modulation format is active, the entered value will be overridden by a calculated factory default value. Refer to “[:STATe]” on [page 378](#) to activate the modulation format.

:TRIGger:TYPE

Supported E4438C with Option 400

```
[ :SOURce ] :RADio:WCDMa:TGPP:ARB:TRIGger:TYPE CONTinuous | SINGLE | GATE
```

```
[ :SOURce ] :RADio:WCDMa:TGPP:ARB:TRIGger:TYPE?
```

This command sets the trigger mode (type) that controls the waveform’s playback.

Triggers control the playback by telling the ESG when to play the modulating signal (waveform). Depending on the trigger settings for the ESG, the waveform playback can occur once, continuously, or the ESG may start and stop playing the waveform repeatedly (GATE mode).

A trigger signal comprises both positive and negative signal transitions (states), which are also called high and low periods. You can configure the ESG to trigger on either state of the trigger signal. It is common to have multiple triggers, also referred to as trigger occurrences or events, occur when the signal generator requires only a single trigger. In this situation, the ESG recognizes the first trigger and ignores the rest.

When you select a trigger mode, you may lose the signal (carrier plus modulating) from the RF output until you trigger the waveform. This is because the ESG sets the I and Q signals to zero volts prior to the first trigger event, which suppresses the carrier. After the first trigger event, the waveform’s final I and Q levels determine whether you will see the carrier signal or not (zero = no carrier, other values = carrier visible). At the end of most files, the final I and Q points are set to a value other than zero.

There are four parts to configuring the trigger:

- Choosing the trigger type, which controls the waveform’s transmission.
- Setting the waveform’s response to triggers:
 - CONTInuous, see “:TRIGger:TYPE:CONTInuous[:TYPE]” on page 374
 - SINGle, see “:RETRigger” on page 371
 - GATE, selecting the mode also sets the response
- Selecting the trigger source (see “:TRIGger[:SOURce]” on page 375), which determines how the ESG receives its trigger signal, internally or externally. The GATE choice requires an external trigger.
- Setting the trigger polarity when using an external source:
 - CONTInuous and SINGle see “:TRIGger[:SOURce]:EXTeRnal:SLOPe” on page 377
 - GATE, see “:TRIGger:TYPE:GATE:ACTive” on page 374

For more information on triggering, see the *E4428C/38C ESG Signal Generators User’s Guide*.

The following list describes the trigger type command choices:

CONTInuous	Upon triggering, the waveform repeats continuously.
SINGle	Upon triggering, the waveform segment or sequence plays once.
GATE	An external trigger signal repeatedly starts and stops the waveform’s playback (transmission). The time duration for playback depends on the duty period of the trigger signal and the gate polarity selection (see “:TRIGger:TYPE:GATE:ACTive” on page 374). The waveform plays during the inactive state and stops during the active polarity selection state. The active state can be set high or low. The gate mode works only with an external trigger source.

NOTE The ARB gating behavior described above is opposite to the gating behavior for real-time custom mode.

*RST	CONT		
Key Entry	Continuous	Single	Gated

:TRIGger:TYPE:CONTInuous[:TYPE]**Supported** E4438C with Option 400

```
[ :SOURce ] :RADio:WCDMa:TGPP:ARB:TRIGger:CONTInuous[ :TYPE ] FREE |
TRIGger | RESet
[ :SOURce ] :RADio:WCDMa:TGPP:ARB:TRIGger:CONTInuous[ :TYPE ] ?
```

This commands selects the waveform’s response to a trigger signal while using the continuous trigger mode.

For more information on triggering and to select the continuous trigger mode, see “[:TRIGger:TYPE](#)” on page 372.

The following list describes the waveform’s response to each of the command choices:

FREE	Turning the ARB format on immediately triggers the waveform. The waveform repeats until you turn the format off, select another trigger, or choose another waveform file.
TRIGger	The waveform waits for a trigger before play begins. When the waveform receives the trigger, it plays continuously until you turn the format off, select another trigger, or choose another waveform file.
RESet	The waveform waits for a trigger before play begins. When the waveform receives the trigger, it plays continuously. Subsequent triggers reset the waveform to the beginning. For a waveform sequence, this means to the beginning of the first segment in the sequence.
*RST	FREE
Key Entry	Free Run Trigger & Run Reset & Run

:TRIGger:TYPE:GATE:ACTive**Supported** E4438C with Option 400

```
[ :SOURce ] :RADio:WCDMa:TGPP:ARB:TRIGger:TYPE:GATE:ACTive LOW | HIGH
[ :SOURce ] :RADio:WCDMa:TGPP:ARB:TRIGger:TYPE:GATE:ACTive ?
```

This command selects the active state (gate polarity) of the gate while using the gating trigger mode.

The LOW and HIGH selections correspond to the low and high states of an external trigger signal. For example, when you select HIGH, the active state occurs during the high of the trigger signal. When the active state occurs, the ESG stops the waveform playback at the last played sample point, then restarts the playback at the next sample point when the inactive state occurs. For more information on triggering and to select gating as the trigger mode, see “[:TRIGger:TYPE](#)” on page 372.

The following list describes the ESG’s gating behavior for the polarity selections:

LOW	The waveform playback stops when the trigger signal goes low (active state) and restarts when the trigger signal goes high (inactive state).
HIGH	The waveform playback stops when the trigger signal goes high (active state) and restarts when the trigger signal goes low (inactive state).
*RST	HIGH
Key Entry	Gate Active Low High

:TRIGger[:SOURce]

Supported E4438C with Option 400

```
[ :SOURce ] :RADio:WCDMa:TGPP:ARB:TRIGger[ :SOURce ] KEY|EXT|BUS
[ :SOURce ] :RADio:WCDMa:TGPP:ARB:TRIGger[ :SOURce ]?
```

This command sets the trigger source.

For more information on triggering, see “[:TRIGger:TYPE](#)” on page 372. The following list describes the command choices:

KEY	This choice enables manual triggering by pressing the front-panel Trigger hardkey.
EXT	An externally applied signal triggers the waveform. This is the only choice that works with gating. The following conditions affect an external trigger:

- The input connector selected for the trigger signal. You have a choice between the rear-panel PATTERN TRIG IN connector or the PATT TRIG IN 2 pin on the rear-panel AUXILIARY I/O connector. To make the connector selection, see “[:TRIGger\[:SOURce\]:EXTErnal\[:SOURce\]](#)” on page 377.

For more information on the connectors and on connecting the cables, see the *E4428C/38C ESG Signal Generators User’s Guide*.

- The trigger signal polarity:
 - gating mode, see “[:TRIGger:TYPE:GATE:ACTive](#)” on page 374
 - continuous and single modes, see “[:TRIGger\[:SOURce\]:EXTErnal:SLOPe](#)” on page 377
- The time delay between when the ESG receives a trigger and when the waveform responds to the trigger. There are two parts to setting the delay:
 - setting the amount of delay, see “[:TRIGger\[:SOURce\]:EXTErnal:DELAy](#)” on page 376
 - turning the delay on, see “[:TRIGger\[:SOURce\]:EXTErnal:DELAy:STATe](#)” on page 376

BUS This choice enables triggering over the GPIB or LAN using the *TRG or GET commands or the AUXILIARY INTERFACE (RS-232) using the *TRG command.

Key Entry **Trigger Key** **Bus** **Ext**

:TRIGger[:SOURce]:EXternal:DELay

Supported E4438C with Option 400

```
[ :SOURce ] :RADio:WCDMa:TGPP:ARB:TRIGger [ :SOURce ] :EXternal:DELay <val>
[ :SOURce ] :RADio:WCDMa:TGPP:ARB:TRIGger [ :SOURce ] :EXternal:DELay?
```

This command sets the amount of time to delay the ESG’s response to an external trigger.

The delay is a path (time) delay between when the ESG receives the trigger and when it responds to the trigger. For example, configuring a trigger delay of two seconds, causes the ESG to wait two seconds after receipt of the trigger before the ESG plays the waveform.

The delay does not occur until you turn it on (see “:TRIGger[:SOURce]:EXternal:DELay:STATe” on page 376). You can set the delay value either before or after turning it on.

For more information on configuring an external trigger source and to select external as the trigger source, see “:TRIGger[:SOURce]” on page 375.

The unit of measurement for the variable <val> is in seconds (nsec–sec).

***RST** +1.00000000E–003

Range 1E–8 to 4E1

Key Entry **Ext Delay Time**

Remarks This command is effective only if an external trigger is selected as the trigger source. Refer to “:TRIGger[:SOURce]” on page 375.

:TRIGger[:SOURce]:EXternal:DELay:STATe

Supported E4438C with Option 400

```
[ :SOURce ] :RADio:WCDMa:TGPP:ARB:TRIGger [ :SOURce ] :EXternal:DELay:
STATe ON|OFF|1|0
[ :SOURce ] :RADio:WCDMa:TGPP:ARB:TRIGger [ :SOURce ] :EXternal:DELay:STATe?
```

This command enables or disables the arbitrary waveform generator’s external trigger delay.

For setting the delay time, see “:TRIGger[:SOURCE]:EXTernal:DELay” on page 376, and for more information on configuring an external source, see “:TRIGger[:SOURCE]” on page 375.

***RST** 0

Key Entry Ext Delay Off On

:TRIGger[:SOURCE]:EXTernal:SLOPe

Supported E4438C with Option 400

```
[ :SOURCE ] :RADio:WCDMa:TGPP:ARB:TRIGger[ :SOURCE ] :EXTernal:
SLOPe POSitive|NEGative
```

```
[ :SOURCE ] :RADio:WCDMa:TGPP:ARB:TRIGger[ :SOURCE ] :EXTernal:SLOPe?
```

This command sets the polarity for an external trigger signal while using the continuous, single triggering mode. To set the polarity for gating, see “:TRIGger:TYPE:GATE:ACTive” on page 374.

The POSitive and NEGative selections correspond to the high (positive) and low (negative) states of the external trigger signal. For example, when you select POSitive, the waveform responds (plays) during the high state of the trigger signal. When the ESG receives multiple trigger occurrences when only one is required, the signal generator uses the first trigger and ignores the rest.

For more information on configuring an external trigger source and to select external as the trigger source, see “:TRIGger[:SOURCE]” on page 375.

***RST** NEG

Key Entry Ext Polarity Neg Pos

:TRIGger[:SOURCE]:EXTernal[:SOURCE]

Supported E4438C with Option 400

```
[ :SOURCE ] :RADio:WCDMa:TGPP:ARB:TRIGger[ :SOURCE ] :EXTernal
```

```
[ :SOURCE ] EPT1|EPT2|EPTRIGGER1|EPTRIGGER2
```

```
[ :SOURCE ] :RADio:WCDMa:TGPP:ARB:TRIGger[ :SOURCE ] :EXTernal[ :SOURCE ]?
```

This command selects which PATTERN TRIG IN connection the ESG uses to accept an externally applied trigger signal when external is the trigger source selection.

For more information on configuring an external trigger source and to select external as the trigger source, see “:TRIGger[:SOURCE]” on page 375. For more information on the rear-panel connectors, see the *E4428C/38C ESG Signal Generators User’s Guide*.

The following list describes the command choices:

EPT1	This choice is synonymous with EPTRIGGER1 and selects the PATTERN TRIG IN rear-panel connector.
EPT2	This choice is synonymous with EPTRIGGER2 and selects the PATT TRIG IN 2 pin on the rear-panel AUXILIARY I/O connector.
EPTRIGGER1	This choice is synonymous with EPT1 and selects the PATTERN TRIG IN rear-panel connector.
EPTRIGGER2	This choice is synonymous with EPT2 and selects the PATT TRIG IN 2 pin on the rear-panel AUXILIARY I/O connector.
*RST	EPT1
Choices	EPT1 EPT2 EPTRIGGER1 EPTRIGGER2

[:STATe]

Supported E4438C with Option 400

```
[ :SOURce ] :RADio:WCDMa:TGPP:ARB [ :STATe ] ON | OFF | 1 | 0
[ :SOURce ] :RADio:WCDMa:TGPP:ARB [ :STATe ] ?
```

This command enables or disables the W-CDMA modulation format.

ON (1)	This choice enables the W-CDMA modulation capability and sets up the internal hardware to generate the currently selected W-CDMA signal selection.
OFF (0)	This choice disables the W-CDMA baseband signal capability.
*RST	0
Key Entry	W-CDMA Off On
Remarks	This choice also activates the I/Q state and sets the I/Q source to internal.

Symbols

of Blocks field, [1068](#)
 # of Carriers softkey, [283](#), [285](#)
 # Points softkey, [57](#)
 # Skipped Points softkey, [302](#)
 ΦM Dev, [197](#)
 ΦM Dev Couple Off On, [197](#)
 FM ΦM Normal High BW, [192](#)
 ΦM Off On, [196](#)
 ΦM Path 1 2, [191](#)
 ΦM Stop Rate, [194](#)
 ΦM Sweep Time, [195](#)
 ΦM Tone 2 Ampl Percent of Peak, [194](#)

Numerics

0.7V,1.4V,1.65V,2.5V softkey, [421](#)
 1 DPCH softkey, [348](#), [353](#)
 1.23 MHz softkey, [263](#)
 1.25 MHz softkey, [263](#)
 1/2 Conv softkey, [1065](#), [1067](#), [1159](#)
 1/3 Conv softkey, [1065](#), [1067](#), [1159](#)
 10 msec softkey, [1093](#)
 1048576 softkey, [212](#)
 10ms Frame Pulse (DRPS11) softkey, [1047](#), [1049](#),
[1050](#), [1051](#), [1052](#)
 10ms Frame Pulse (RPS6) softkey
See wideband CDMA base band generator
 subsystem keys and fields
 12.2 kbps (34.121) softkey, [1030](#)
 128QAM softkey
See custom subsystem keys
See DECT subsystem keys
See Dmodulation subsystem keys
See EDGE subsystem keys
See GSM subsystem keys
See NADC subsystem keys
See PDC subsystem keys
See PHS subsystem keys
See TETRA subsystem keys
 131072 softkey, [212](#)
 144 kbps (34.121) softkey, [1030](#)
 16 1's & 16 0's softkey
See custom subsystem keys
See DECT subsystem keys

16 1's & 16 0's softkey (continued)
See EDGE subsystem keys
See GSM subsystem keys
See NADC subsystem keys
See PDC subsystem keys
See PHS subsystem keys
See TETRA subsystem keys
 16384 softkey, [212](#)
 16-Lvl FSK softkey
See DECT subsystem keys
See PHS subsystem keys
 16PSK softkey
See custom subsystem keys
See DECT subsystem keys
See Dmodulation subsystem keys
See EDGE subsystem keys
See GSM subsystem keys
See NADC subsystem keys
See PDC subsystem keys
See PHS subsystem keys
See TETRA subsystem keys
 16QAM softkey
See custom subsystem keys
See DECT subsystem keys
See Dmodulation subsystem keys
See EDGE subsystem keys
See GSM subsystem keys
See NADC subsystem keys
See PDC subsystem keys
See PHS subsystem keys
See TETRA subsystem keys
 2 Carriers softkey, [349](#)
 2 SR3 Carriers softkey, [248](#)
 2.100 MHz softkey, [32](#), [208](#), [222](#), [246](#), [275](#), [299](#),
[329](#), [346](#), [473](#)
 20 msec softkey, [1093](#)
 2560 msec softkey, [1093](#)
 256QAM softkey
See custom subsystem keys
See DECT subsystem keys
See Dmodulation subsystem keys
See EDGE subsystem keys
See GSM subsystem keys
See NADC subsystem keys
See PDC subsystem keys

Index

256QAM softkey (continued)

See PHS subsystem keys

See TETRA subsystem keys

262144 softkey, [212](#)

2-Lvl FSK softkey

See custom subsystem keys

See DECT subsystem keys

See Dmodulation subsystem keys

See EDGE subsystem keys

See GSM subsystem keys

See NADC subsystem keys

See PDC subsystem keys

See PHS subsystem keys

See TETRA subsystem keys

2nd Scr Offset field, [1031](#), [1038](#)

3 Carriers softkey, [230](#), [248](#), [349](#)

3 DPCH softkey, [348](#), [353](#)

3.84MHz chip-clk (DRPS4) softkey, [1047](#), [1049](#),
[1050](#), [1051](#), [1052](#)

32 1's & 32 0's softkey

See custom subsystem keys

See DECT subsystem keys

See EDGE subsystem keys

See GSM subsystem keys

See NADC subsystem keys

See PDC subsystem keys

See PHS subsystem keys

See TETRA subsystem keys

32 Ch Fwd softkey, [228](#), [231](#)

32768 softkey, [212](#)

32QAM softkey

See custom subsystem keys

See DECT subsystem keys

See Dmodulation subsystem keys

See EDGE subsystem keys

See GSM subsystem keys

See NADC subsystem keys

See PDC subsystem keys

See PHS subsystem keys

See TETRA subsystem keys

384 kbps (34.121) softkey, [1030](#)

3GPP W-CDMA HSPA SCPI commands, [668](#)

4 1's & 4 0's softkey

See custom subsystem keys

See DECT subsystem keys

4 1's & 4 0's softkey (continued)

See EDGE subsystem keys

See GSM subsystem keys

See NADC subsystem keys

See PDC subsystem keys

See PHS subsystem keys

See TETRA subsystem keys

4 Carriers softkey, [230](#), [248](#), [349](#)

40 msec softkey, [1093](#)

40.000 MHz softkey, [32](#), [205](#), [208](#), [217](#), [222](#), [241](#),
[246](#), [270](#), [275](#), [298](#), [299](#), [327](#), [329](#), [344](#), [346](#),
[466](#), [473](#)

4-Lvl FSK softkey

See custom subsystem keys

See DECT subsystem keys

See Dmodulation subsystem keys

See EDGE subsystem keys

See GSM subsystem keys

See NADC subsystem keys

See PDC subsystem keys

See PHS subsystem keys

See TETRA subsystem keys

4QAM softkey

See custom subsystem keys

See DECT subsystem keys

See Dmodulation subsystem keys

See EDGE subsystem keys

See GSM subsystem keys

See NADC subsystem keys

See PDC subsystem keys

See PHS subsystem keys

See TETRA subsystem keys

5 Channel softkey, [254](#)

524288 softkeys, [212](#)

64 1's & 64 0's softkey

See custom subsystem keys

See DECT subsystem keys

See EDGE subsystem keys

See GSM subsystem keys

See NADC subsystem keys

See PDC subsystem keys

See PHS subsystem keys

See TETRA subsystem keys

64 Ch Fwd softkey, [228](#), [231](#)

64 kbps (34.121) softkey, [1030](#)

- 64QAM softkey
See custom subsystem keys
See DECT subsystem keys
See Dmodulation subsystem keys
See EDGE subsystem keys
See GSM subsystem keys
See NADC subsystem keys
See PDC subsystem keys
See PHS subsystem keys
See TETRA subsystem keys
- 65536 softkey, [212](#)
- 8 1's & 8 0's softkey
See custom subsystem keys
See DECT subsystem keys
See EDGE subsystem keys
See GSM subsystem keys
See NADC subsystem keys
See PDC subsystem keys
See PHS subsystem keys
See TETRA subsystem keys
- 8 Bit Pattern softkey, [465](#)
- 8 Channel softkey, [254](#)
- 80 msec softkey, [1093](#)
- 80ms Frame Pulse (DRPS13) softkey, [1047](#), [1049](#),
[1050](#), [1051](#), [1052](#)
- 80ms Frame Pulse (RPS20) softkey
See wideband CDMA base band generator
subsystem keys and fields
- 8648A/B/C/D softkey, [156](#), [158](#)
- 8656B,8657A/B softkey, [156](#), [158](#)
- 8657D NADC softkey, [156](#), [158](#)
- 8657D PDC softkey, [156](#), [158](#)
- 8657J PHS softkey, [156](#), [158](#)
- 8-Lvl FSK softkey
See DECT subsystem keys
See PHS subsystem keys
- 8PSK softkey
See custom subsystem keys
See DECT subsystem keys
See Dmodulation subsystem keys
See EDGE subsystem keys
See GSM subsystem keys
See NADC subsystem keys
See PDC subsystem keys
See PHS subsystem keys
- 8PSK softkey (continued)
See TETRA subsystem keys
- 9 Ch Fwd softkey, [228](#), [231](#)
- 9 Channel softkey, [247](#)
- ## A
- A field softkey
See DECT subsystem keys
- A softkey, [1022](#)
- abort list/step sweep, [166](#)
- Access denied, [116](#)
- Access softkey, [799](#)
- ACS softkey, [1061](#)
- Activate Secure Display softkey, [160](#)
- Active softkey, [1058](#)
- Actual BER softkey, [1168](#)
- Actual BLER field, [1162](#), [1169](#)
- Add Comment To Seq[n] Reg[nn] softkey, [123](#)
- Adjust Gain softkey, [437](#)
- Adjust Phase softkey, [47](#)
- AICH softkey, [1127](#)
- AICH Trigger Polarity Pos Neg softkey, [1102](#)
- ALC
BW
100 Hz, 1 kHz, 10 kHz, [58](#)
Auto, [58](#), [59](#)
Off,On, [58](#), [59](#)
- ALC BW Normal Narrow, [22](#)
- ALC BW Setting
Auto, [58](#), [59](#)
- alc hold markers
awgn subsystem, [209](#)
cdma subsystem, [223](#)
cdma2000 arb subsystem, [257](#)
dmodulation subsystem, [276](#)
dual arb subsystem, [305](#)
multitone subsystem, [330](#), [331](#)
wideband CDMA ARB subsystem, [367](#)
wideband CDMA ARBsubsystem, [367](#)
- ALC level, [60](#)
- ALC Off On softkey, [62](#)
- All Down softkey, [1033](#), [1083](#)
- All softkey, [104](#), [122](#)
- All Timeslots softkey
See DECT subsystem keys

Index

All Timeslots softkey (continued)

See EDGE subsystem keys

See GSM subsystem keys

See NADC subsystem keys

See PDC subsystem keys

See PHS subsystem keys

See TETRA subsystem keys

All Up softkey, [1033](#), [1083](#)

Alt Amp Delta softkey, [63](#)

Alt Ampl Off On softkey, [64](#)

Alt power in field, [1140](#)

alternate amplitude markers

awgn arb subsystem, [209](#)

cdma subsystem, [222](#)

cdma2000 arb subsystem, [257](#)

dmodulation subsystem, [276](#)

dual arb subsystem, [305](#)

multitone arb subsystem, [329](#)

multitone subsystem, [329](#)

wideband CDMA ARB subsystem, [367](#)

AM softkeys

AM Depth, [177](#)

AM Depth Couple Off On, [178](#)

AM Off On, [177](#)

AM Off On softkey, [173](#)

AM Path 1 2, [172](#)

AM Stop Rate, [174](#)

AM Sweep Rate, [175](#)

AM Tone 2 Ampl Percent Of Peak, [175](#)

AM Tone 2 Rate, [174](#)

AM wideband, [173](#)

AM_ADDR softkey, [464](#)

Ampl softkeys

Ampl, [49](#), [66](#)

Ampl Offset, [68](#)

Ampl Ref Off On, [67](#)

Ampl Ref Set, [66](#)

Ampl Start, [49](#), [67](#)

Ampl Stop, [49](#), [68](#)

Amplitude hardkey, [66](#), [69](#)

amplitude modulation subsystem keys

AM Depth, [177](#)

AM Depth Couple Off On, [178](#)

AM Off On, [173](#), [177](#)

AM Path 1 2, [172](#)

amplitude modulation subsystem keys (*continued*)

AM Stop Rate, [174](#)

AM Sweep Rate, [175](#)

AM Tone 2 Ampl Percent Of Peak, [175](#)

AM Tone 2 Rate, [174](#)

Bus, [176](#)

Dual-Sine, [175](#)

Ext, [176](#)

Ext Coupling DC AC, [173](#)

Ext1, [176](#)

Ext2, [176](#)

Free Run softkey, [176](#)

Incr Set, [172](#), [178](#)

Internal, [176](#)

Noise, [175](#)

Ramp, [175](#)

Sine, [175](#)

Square, [175](#)

Swept-Sine, [175](#)

Triangle, [175](#)

Trigger Key, [176](#)

amplitude step, [69](#)

AMR 12.2 kbps softkey, [1030](#), [1134](#)

APCO 25 C4FM softkey

See CDMA ARB subsystem keys

See CDMA2000 ARB subsystem keys

See CDMA2000 BBG subsystem keys and fields

See custom subsystem keys

See DECT subsystem keys

See Dmodulation subsystem keys

See EDGE subsystem keys

See GPS subsystem keys

See GSM subsystem keys

See NADC subsystem keys

See PDC subsystem keys

See PHS subsystem keys

See TETRA subsystem keys

See wideband CDMA ARB subsystem keys

See wideband CDMA base band generator
subsystem keys and fields

APCO 25 w/C4FM softkey, [282](#), [283](#), [284](#)

APCO 25 w/C4QPSK softkey, [282](#), [283](#), [284](#)

APCO 25 w/CQPSK softkey, [567](#)

Apply Channel Setup softkey, [251](#), [255](#), [356](#), [364](#),
[1018](#), [1072](#)

- Apply to Waveform softkey, [300](#), [302](#)
- Arb AWGN Off On softkey, [214](#)
- ARB Off On softkey, [324](#)
- ARB Reference Ext Int softkey
 - See AWGN subsystem keys
 - See bluetooth subsystem keys
 - See CDMA ARB subsystem keys
 - See CDMA2000 ARB subsystem keys
 - See Dmodulation subsystem keys
 - See dual ARB subsystem keys
 - See multitone subsystem keys
 - See wideband CDMA ARB subsystem keys
- ARB Sample Clock softkey, [213](#), [228](#), [262](#), [282](#),
[313](#), [335](#), [372](#), [478](#)
- arbitrary waveform
 - runtime scaling, [312](#), [335](#)
 - scaling files, [312](#)
- Atten Hold Off On softkey, [65](#)
- Auto softkey, [58](#), [59](#)
- automatic leveling control, [62](#)
- Aux I/O Trigger Polarity Pos Neg softkey, [460](#)
- Aux softkey
 - See sense subsystem keys
- Auxiliary Software Options softkey, [82](#)
- AWGN Off On softkey, [468](#)
- AWGN subsystem keys
 - 1048576, [212](#)
 - 131072, [212](#)
 - 16384, [212](#)
 - 2.100 MHz, [208](#)
 - 262144, [212](#)
 - 32768, [212](#)
 - 40.000 MHz, [205](#), [208](#)
 - 524288, [212](#)
 - 65536, [212](#)
 - Arb AWGN Off On, [214](#)
 - ARB Reference Ext Int, [213](#)
 - ARB Sample Clock, [213](#)
 - Bandwidth, [205](#)
 - Clear Header, [206](#)
 - I/Q Mod Filter Manual Auto, [208](#)
 - I/Q Output Filter Manual Auto, [206](#)
 - Marker 1, [209](#), [210](#)
 - Marker 1 Polarity Neg Pos, [212](#)
 - Marker 2, [209](#), [210](#)
- AWGN subsystem keys (*continued*)
 - Marker 2 Polarity Neg Pos, [212](#)
 - Marker 3, [209](#), [210](#)
 - Marker 3 Polarity Neg Pos, [212](#)
 - Marker 4, [209](#), [210](#)
 - Marker 4 Polarity Neg Pos, [212](#)
 - Modulator Atten Manual Auto, [207](#)
 - Noise Seed Fixed Random, [214](#)
 - None, [209](#), [210](#)
 - Reference Freq, [212](#)
 - Save Setup To Header, [206](#)
 - Through, [205](#), [208](#)
 - Waveform Length, [212](#)
- B**
- B softkey, [996](#), [1001](#), [1022](#)
- B1 softkey, [994](#), [999](#)
- B2 softkey, [994](#), [999](#)
- Bandwidth softkey, [205](#), [463](#)
- Base Delay Tp-a softkey, [1124](#)
- BBG Chip Clock Ext Int softkey
 - See wideband CDMA base band generator subsystem keys and fields
- BBG Data Clock Ext Int softkey
 - See custom subsystem keys
 - See DECT subsystem keys
 - See GSM subsystem keys
 - See NADC subsystem keys
 - See PHS subsystem keys
 - See TETRA subsystem keys
- BBG Data Clock field, [480](#)
- BBG Ref Ext Int softkey
 - See custom subsystem keys
 - See DECT subsystem keys
 - See EDGE subsystem keys
 - See GSM subsystem keys
 - See NADC subsystem keys
 - See PDC subsystem keys
 - See PHS subsystem keys
 - See TETRA subsystem keys
- BBG1 softkey, [24](#), [35](#)
- BD_ADDR softkey, [464](#)
- Begin Data Format Pattern Framed softkey
 - See DECT subsystem keys
 - See EDGE subsystem keys

Index

Begin Data Format Pattern Framed softkey

(continued)

See GSM subsystem keys

See NADC subsystem keys

See PDC subsystem keys

See PHS subsystem keys

See TETRA subsystem keys

Begin Frame softkey

See DECT subsystem keys

See EDGE subsystem keys

See GSM subsystem keys

See NADC subsystem keys

See PDC subsystem keys

See PHS subsystem keys

See TETRA subsystem keys

Begin Timeslot # softkey

See DECT subsystem keys

See EDGE subsystem keys

See GSM subsystem keys

See NADC subsystem keys

See PDC subsystem keys

See PHS subsystem keys

See TETRA subsystem keys

BER Display % Exp softkey, 407

BER field, 1162, 1169

BER Mode Off On softkey

See sense subsystem keys

BER softkey, 1164, 1171

BERT Off On softkey, 457

BERT Resync Off On softkey, 457

Beta field, 1076, 1086

Binary softkey, 94, 124

binary values, 18

Bit Count softkey

See sense subsystem keys

Bit Delay Off On softkey, 459

Bit Order softkey, 384

Bit Rate field

See CDMA2000 BBG subsystem keys and fields

Bit softkey, 94

BLER field, 1163, 1170

BLER softkey, 1164, 1171

Blk Set Size field, 1064

Blk Size field, 1063, 1158, 1166

Block Count softkey

See calculate subsystem keys

See sense subsystem keys

Block Erasure softkey

See sense subsystem keys

Blocking softkey, 1061

Bluetooth Off On softkey, 478

Bluetooth softkey, 567

bluetooth subsystem keys

2.100 MHz, 473

40.000 MHz, 466, 473

8 Bit Pattern, 465

AM_ADDR, 464

ARB Reference Ext Int, 477

ARB Sample Clock, 478

AWGN Off On, 468

BD_ADDR, 464

Bluetooth Off On, 478

Burst Off On, 464

Burst Power Ramp, 478

C/N[1 MHz], 468

Clear Header, 467

Clock/Gate Delay, 465

Continuous PN9, 465

Drift Deviation, 469

Freq Drift Type Linear Sine, 470

Freq Offset, 470

I/Q Mod Filter Manual Auto, 474

I/Q Output Filter Manual Auto, 466

Impairments Off On, 467

Marker 1, 474, 475

Marker 1 Polarity Neg Pos, 475

Marker 2, 474, 475

Marker 2 Polarity Neg Pos, 476

Marker 3, 474, 475

Marker 3 Polarity Neg Pos, 476

Marker 4, 474, 475

Marker 4 Polarity Neg Pos, 476

Mod Index, 471

Modulator Atten Manual Auto, 472, 473

Noise Seed, 469

None, 474, 475

Packet (DH1), 476

Reference Freq, 477

Save Setup To Header, 467

bluetooth subsystem keys (*continued*)

Symbol Timing Err, 472

Through, 466, 473

Truncated PN9, 465

boolean SCPI parameters, 10

boolean, numeric response data, 11

BPSK softkey

See custom subsystem keys

See DECT subsystem keys

See Dmodulation subsystem keys

See EDGE subsystem keys

See GSM subsystem keys

See NADC subsystem keys

See PDC subsystem keys

See PHS subsystem keys

See TETRA subsystem keys

Brightness softkey, 86

Build New Waveform Sequence softkey, 313

burst

shape, 115

Burst Envelope Int Ext Off softkey, 22

Burst gate in field, 1141

Burst Gate In Polarity Neg Pos softkey, 130, 131

Burst Off On softkey, 464

Burst Power Ramp softkey, 478

Bus softkey

list trigger source, 54

See amplitude modulation subsystem keys

See CDMA ARB subsystem keys

See CDMA2000 ARB subsystem keys

See DECT subsystem keys

See Dmodulation subsystem keys

See dual ARB subsystem keys

See EDGE subsystem keys

See frequency modulation subsystem keys

See GSM subsystem keys

See low frequency output subsystem keys

See NADC subsystem keys

See PDC subsystem keys

See phase modulation subsystem keys

See PHS subsystem keys

See sense subsystem keys

See TETRA subsystem keys

See trigger subsystem keys

See wideband CDMA ARB subsystem keys

C

C Power field, 1073, 1103

C/N softkey, 505, 517

C/N value field, 1018, 1072, 1102

C/N[1 MHz] softkey, 468

C4FM softkey, 959

calculate subsystem keys

BER Display % Exp, 407

Block Count, 425

Class II RBER, 404, 405

Class 1b RBER, 404, 405

Cycle End, 405

Error Rate, 398, 399, 400, 401, 402, 403

Exceeds Any Limit, 405

Fail Hold, 405

Frame Erasure, 404, 405

No Limits, 399, 402, 403, 405

Pass/Fail Limits, 406

Pass/Fail Off On, 406

Update Display Cycle End Cont, 407

calibration subsystem keys

DCFM/DCΦM Cal, 72

Execute Cal, 72, 73

I/Q Calibration, 72

Revert to Default Cal Settings, 73

Start Frequency, 74

Stop Frequency, 74

Carrier Bandwidth softkey, 309

Carrier Phases Fixed Random softkey, 283

Carrier to Noise Ratio softkey, 309

CC softkey, 923, 927, 929

CDL softkey, 891

CDMA ARB subsystem keys

2.100 MHz, 222

3 Carriers, 230

32 Ch Fwd, 228, 231

4 Carriers, 230

40.000 MHz, 217, 222

64 Ch Fwd, 228, 231

9 Ch Fwd, 228, 231

APCO 25 C4FM, 218

ARB Reference Ext Int, 227

ARB Sample Clock, 228

Bus, 235

CDMA Off On, 239

Index

CDMA ARB subsystem keys (*continued*)

Chip Rate, [216](#)
Clear Header, [220](#)
Clip |I+jQ| To, [216](#)
Clip |I| To, [215](#)
Clip |Q| To, [215](#)
Clip At PRE POST FIR Filter, [215](#)
Clipping Type |I+jQ| |I|,|Q|, [216](#)
Continuous, [233](#), [263](#)
CPICH, [357](#)
Custom CDMA Multicarrier, [230](#)
Custom CDMA State, [228](#), [231](#)
Equal Powers, [229](#)
Ext, [235](#)
Ext Delay Off On, [237](#)
Ext Delay Time, [236](#)
Ext Polarity Neg Pos, [237](#)
Filter Alpha, [219](#)
Filter BbT, [219](#)
Free Run, [234](#)
Gate Active Low High, [235](#)
Gated, [233](#), [263](#)
Gaussian, [218](#)
I/Q Mapping Normal Invert, [221](#)
I/Q Mod Filter Manual Auto, [222](#)
I/Q Output Filter Manual Auto, [217](#)
Immediate, [227](#)
IS-2000 SR3 DS, [218](#)
IS-95, [218](#)
IS-95 Mod, [218](#)
IS-95 Mod w/EQ, [218](#)
IS-95 w/EQ, [218](#)
IS-97 Levels, [229](#)
Marker 1, [222](#), [223](#), [224](#)
Marker 1 Polarity Neg Pos, [226](#)
Marker 2, [222](#), [223](#), [224](#)
Marker 2 Polarity Neg Pos, [226](#)
Marker 3, [222](#), [223](#), [224](#)
Marker 3 Polarity Neg Pos, [226](#)
Marker 4, [222](#), [223](#), [224](#)
Marker 4 Polarity Neg Pos, [226](#)
Modulator Atten Manual Auto, [221](#)
Multicarrier Off On, [228](#)
None, [222](#), [223](#), [224](#)
Nyquist, [218](#)

CDMA ARB subsystem keys (*continued*)

Off, [227](#)
On, [227](#)
Optimize FIR For EVM ACP, [220](#)
Oversample Ratio, [226](#)
Paging, [229](#)
Patt Trig In 1, [238](#)
Patt Trig In 2, [238](#)
Pilot, [228](#), [229](#), [231](#)
Rectangle, [218](#)
Reference Freq, [226](#)
Reset & Run, [234](#)
Reverse, [228](#)
Root Nyquist, [218](#)
Save Setup To Header, [220](#)
Scale to 0dB, [229](#)
Single, [233](#), [263](#)
Store Custom CDMA State, [232](#)
Store Custom Multicarrier, [231](#)
Sync, [229](#)
Through, [217](#), [222](#)
Traffic, [229](#)
Trigger & Run, [234](#)
Trigger Key, [235](#)
UN3/4 GSM Gaussian, [218](#)
User FIR, [218](#)
Waveform Length, [238](#)
WCDMA, [218](#)
CDMA Freq field, [499](#)
CDMA Off On softkey, [239](#)
CDMA softkey, [95](#)
CDMA2000 ARB subsystem keys
1.23 MHz, [263](#)
1.25 MHz, [263](#)
2 SR3 Carriers, [248](#)
2.100 MHz, [246](#)
3 Carriers, [248](#)
4 Carriers, [248](#)
40.000 MHz, [241](#), [246](#)
5 Channel, [254](#)
8 Channel, [254](#)
9 Channel, [247](#)
APCO 25 C4FM, [242](#)
Apply Channel Setup, [251](#), [255](#)
ARB Reference Ext Int, [260](#)

CDMA2000 ARB subsystem keys (*continued*)

ARB Sample Clock, 262
Bus, 266
CDMA2000 Off On, 269
Clear Header, 245
Clip |I+jQ| To, 241
Clip |I| To, 240
Clip |Q| To, 240
Clip At PRE POST FIR Filter, 240
Clipping Type |I+jQ| |I|,|Q|, 241
Config, 252, 255
Continuous, 263
Custom CDMA2000 Carrier, 247, 249
Custom CDMA2000 Multicarrier, 248
Custom CDMA2000 State, 254
Edit Channel Setup, 252, 255
Equal Powers, 253, 256
Ext, 266
Ext Delay Off On, 268
Ext Delay Time, 267
Ext Polarity Neg Pos, 268
Filter Alpha, 243
Filter BbT, 244
Free Run, 265
Gate Active Low High, 266
Gated, 263
Gaussian, 242
I/Q Mapping Normal Invert, 247
I/Q Mod Filter Manual Auto, 246
I/Q Output Filter Manual Auto, 242
Immediate, 261
Insert Row, 252, 255
IS-2000 SR3 DS, 242
IS-95, 242
IS-95 Mod, 242
IS-95 Mod w/EQ, 242
IS-95 w/EQ, 242
Link Forward Reverse, 247
Marker 1, 257, 258
Marker 1 Polarity Neg Pos, 260
Marker 2, 257, 258
Marker 2 Polarity Neg Pos, 260
Marker 3, 257, 258
Marker 3 Polarity Neg Pos, 260
Marker 4, 257, 258

CDMA2000 ARB subsystem keys (*continued*)

Marker 4 Polarity Neg Pos, 260
Modulator Atten Manual Auto, 245, 246
Multicarrier Off On, 247
None, 257, 258
Nyquist, 242
Off, 261
On, 261
Optimize FIR For EVM ACP, 244
Patt Trig In 1, 269
Patt Trig In 2, 269
Pilot, 247, 254
PN Offset, 252, 255
Radio Config, 253
Rate, 252, 255
Rectangle, 242
Reference Freq, 260
Reset & Run, 265
Root Nyquist, 242
Save Setup To Header, 245
Scale to 0dB, 253, 256
Single, 263
Spread Rate 1, 247, 254, 262
Spread Rate 3, 247, 254, 262
Spreading Type Direct Mcarrier, 247, 263
SR1 9 Channel, 249
SR1 Pilot, 249
SR3 Direct 9 Channel, 249
SR3 Direct Pilot, 249
SR3 Mcarrier 9 Channel, 249
SR3 MCarrier Pilot, 249
Store Custom CDMA State, 251, 254
Store Custom Multicarrier, 249
Through, 241, 246
Trigger & Run, 265
Trigger Key, 266
UN3/4 GSM Gaussian, 242
User FIR, 242
Walsh Code, 252, 255
WCDMA, 242

CDMA2000 BBG subsystem keys and fields
APCO 25 C4FM, 481, 514
BBG Data Clock, 480
Bit Rate, 488, 492, 497, 511, 521, 523, 527, 532,
537, 541, 544

Index

CDMA2000 BBG subsystem keys and fields

(continued)

C/N, 505, 517
CDMA Freq, 499
CDMA2000 Off On, 547
Change, 509
Chip Rate, 480, 513
DAYLT, 499
EbNo, 484, 489, 495, 500, 506, 509, 519, 525, 527, 531, 536, 539, 542
EcNo, 493, 528, 533
Equal Powers, 508, 517
Even Second Delay, 480, 513
Ext, 483, 494, 522
Ext CDMA Freq, 500
External, 512
Falling, 547
Field 1, 490
Field 2, 490
Field 3, 491
Filter Alpha, 482, 515
Filter BbT, 482, 485, 515
FIX4, 483, 484, 494, 518, 519, 522, 524, 525, 530, 535, 539, 542
Frame Length, 520, 522, 526, 536, 540, 543
Frame Offset, 495, 520, 523, 526, 531, 536, 540, 543
FSYNCH Type, 504
Full, 529, 534
Gaussian, 481, 514
Half, 529, 534
Header, 486, 496
Internal, 512
Inverted, 517
IS-95, 481, 514
IS-95 MOD, 514
IS-95 Mod, 481
IS-95 MOD w/EQ, 514
IS-95 Mod w/EQ, 481
IS-95 w/EQ, 481, 514
Leap Seconds, 501
Link Forward Reverse, 479
Long Code Mask, 516
Long Code State, 483, 516
LTM OFF, 501

CDMA2000 BBG subsystem keys and fields

(continued)

Message Type, 502
Network ID, 502
Noise Off On, 506, 518
Normal, 517
Nyquist, 481, 514
Optimize FIR For EVM ACP, 482, 516
P Rev, 503
P Rev Min, 501
Paging Indicator, 510
Permuted ESN, 486, 496
Phase Polarity, 509
PN Offset, 512
PN15, 483, 494, 518, 522, 524, 530, 535, 538, 542
PN9, 483, 494, 518, 522, 524, 530, 535, 538, 542
Power, 486, 491, 493, 497, 502, 507, 510, 520, 523, 526, 529, 532, 534, 537, 540, 544
PRAT, 503
QOF, 487, 497
Quarter, 529, 534
Radio Config, 488, 498, 521, 524, 532, 537, 541, 544
RadioConfig 1/2 Access, 479
RadioConfig 1/2 Traffic, 479
RadioConfig 3/4 Common Control, 479
RadioConfig 3/4 Enhanced Access, 479
RadioConfig 3/4 Traffic, 479
Ramp, 487
Ramp Time, 487
Rectangle, 481, 514
Reserved, 503
Rising, 547
Root Nyquist, 481, 514
Scale to 0dB, 508, 517
Spread Rate, 511
State, 492, 494, 499, 505, 508, 511, 521, 524, 528, 530, 533, 535, 538, 541, 545
State field, 489
System ID, 504
Time, 504
Trigger Advance, 546
Turbo Coding, 498, 545
UN3/4 GSM Gaussian, 481, 514

- CDMA2000 BBG subsystem keys and fields
(*continued*)
- User File, 483, 489, 494, 518, 522, 524, 530, 535, 538, 542
 - User FIR, 481, 514
 - Walsh, 492, 498, 505, 508, 511, 527, 529, 533, 534, 538, 541, 545
 - Walsh field, 488
- CDMA2000 Off On softkey, 269, 547
- CDPD softkey, 282, 283, 284, 567
- CDVCC softkey, 891, 894
- CFN #0 Frame Pulse (RPS10) softkey
See wideband CDMA base band generator subsystem keys and fields
- Chan Code field, 1028, 1037
- Chan Code softkey, 1027
- Change field, 509
- Channel Code field, 1087, 1128
See wideband CDMA base band generator subsystem keys and fields
- Channel Number softkey, 40
- Channel softkey, 356, 364
- Channel State field, 1086, 1093
- Channel State Off On softkey, 1105
See wideband CDMA base band generator subsystem keys and fields
- ChCode Ctl field, 1118
- ChCode Dat field, 1118
- Chip Clock (RPS1) softkey
See wideband CDMA base band generator subsystem keys and fields
- Chip Rate field, 480, 513, 1027, 1076
- Chip Rate softkey, 216, 342
- Class Ib Bit Error softkey, 451, 452
- Class II Bit Error softkey, 452
- Class II RBER softkey, 404, 405
- Class Ib RBER softkey, 404, 405
- Clear Header softkey, 206, 220, 245, 273, 295, 326, 344, 467
- clearing markers, 300
- Clip |I+jQ| To softkey, 216, 241
- Clip |I| To softkey, 215, 240, 340, 350
- Clip |Q| To softkey, 215, 240, 340, 351
- Clip At PRE POST FIR Filter, 215
- Clip At PRE POST FIR Filter softkey, 240, 340
- Clip Type |I+jQ| To softkey, 341, 351
- Clipping Type |I+jQ| |I|,|Q| softkey, 216, 241, 294, 341, 351
- Clock Delay Off On softkey, 419
- Clock Per Sample softkey, 380
- Clock Phase softkey, 380
- Clock Polarity Neg Pos softkey, 420
- Clock Polarity softkey, 381
- Clock Rate softkey, 382
- Clock Skew softkey, 383
- Clock Source softkey, 383
- Clock Time Delay softkey, 419
- Clock/Gate Delay softkey, 465
- command tree, SCPI, 6, 7
- Common Mode I/Q Offset softkey, 26
- communication subsystem keys
- Default Gateway, 76
 - GPIB Address, 75
 - Hostname, 76
 - IP Address, 76
 - LAN Config, 75
 - Meter Address, 77
 - Meter Channel A B, 77
 - Meter Timeout, 78
 - Power Meter, 78
 - Reset RS-232, 79
 - RS-232 Baud Rate, 79
 - RS-232 ECHO Off On, 79
 - RS-232 Timeout, 80
 - Subnet Mask, 77
- Comp Mode Start Trigger Polarity Neg Pos softkey, 1156
- Comp Mode Start Trigger Polarity Pos Neg softkey, 1059, 1060
- Comp Mode Stop Trigger Polarity Neg Pos softkey, 1156
- Comp Mode Stop Trigger Polarity Pos Neg softkey, 1060
- Compressed Frame (RPS8) softkey
See wideband CDMA base band generator subsystem keys and fields
- Compressed Mode Off On softkey, 1155
- Compressed Mode Start Trigger softkey, 1036, 1059, 1156
- Compressed Mode Stop Trigger softkey, 1060, 1156

Index

- Config softkey, [252](#), [255](#)
- Configure Cal Array softkey, [20](#)
- continuous
 - segment advance, [318](#)
- Continuous PN9 softkey, [465](#)
- Continuous softkey
 - dual ARB subsystem keys, [318](#)
 - See* CDMA ARB subsystem keys
 - See* CDMA2000 ARB subsystem keys
 - See* custom subsystem keys
 - See* DECT subsystem keys
 - See* Dmodulation subsystem keys
 - See* dual ARB subsystem keys
 - See* EDGE subsystem keys
 - See* GSM subsystem keys
 - See* NADC subsystem keys
 - See* PDC subsystem keys
 - See* PHS subsystem keys
 - See* TETRA subsystem keys
 - See* wideband CDMA ARB subsystem keys
- Copy File softkey, [105](#), [114](#), [124](#)
- correction subsystem keys
 - Configure Cal Array, [20](#)
 - Flatness Off On, [21](#)
 - Load From Selected File, [20](#)
 - Preset List, [21](#)
 - Store To File, [21](#)
- CPICH softkey, [357](#)
- CRC Size field, [1066](#), [1160](#), [1167](#)
- creating a waveform
 - sequence, dual ARB, [313](#)
- creating a waveform, multitone, [326](#)
- CS-1 softkey, [641](#), [642](#), [791](#)
- CS-4 softkey, [641](#), [643](#), [795](#)
- CSID softkey, [951](#), [969](#)
- Ctrl Beta field, [1106](#)
- Ctrl Pwr field, [1107](#)
- Custom CDMA Multicarrier softkey, [230](#)
- Custom CDMA State softkey, [228](#), [231](#)
- Custom CDMA2000 Carrier softkey, [247](#), [249](#)
- Custom CDMA2000 Multicarrier softkey, [248](#)
- Custom CDMA2000 State softkey, [254](#)
- Custom Digital Mod State softkey, [283](#), [284](#)
- Custom Off On softkey, [572](#)
- Custom softkey, [589](#), [600](#), [656](#), [799](#), [954](#)
- custom subsystem keys
 - 128QAM, [564](#)
 - 16 1's & 16 0's, [557](#)
 - 16PSK, [564](#)
 - 16QAM, [564](#)
 - 256QAM, [564](#)
 - 2-Lvl FSK, [564](#)
 - 32 1's & 32 0's, [557](#)
 - 32QAM, [564](#)
 - 4 1's & 4 0's, [557](#)
 - 4-Lvl FSK, [564](#)
 - 4QAM, [564](#)
 - 64 1's & 64 0's, [557](#)
 - 64QAM, [564](#)
 - 8 1's & 8 0's, [557](#)
 - 8PSK, [564](#)
 - APCO 25 C4FM, [561](#)
 - APCO 25 w/CQPSK, [567](#)
 - BBG Data Clock Ext Int, [549](#)
 - BBG Ref Ext Int, [560](#)
 - Bit Rate, [550](#)
 - Bluetooth, [567](#)
 - BPSK, [564](#)
 - Bus, [569](#)
 - CDPD, [567](#)
 - Continuous, [567](#)
 - Custom Off On, [572](#)
 - D8PSK, [564](#)
 - Diff Data Encode Off On, [559](#)
 - Ext, [557](#), [569](#)
 - Ext BBG Ref Freq, [560](#)
 - Ext Data Clock Normal Symbol, [559](#)
 - Ext Delay Bits, [570](#)
 - Ext Delay Off On, [570](#)
 - Ext Polarity Neg Pos, [571](#)
 - Fall Delay, [552](#), [553](#)
 - Fall Time, [552](#), [553](#)
 - Filter Alpha, [548](#)
 - Filter BbT, [549](#)
 - FIX4, [557](#), [558](#)
 - Free Run, [568](#)
 - Freq Dev, [563](#)
 - Gate Active Low High, [568](#)
 - Gated, [567](#)
 - Gaussian, [561](#)

custom subsystem keys (*continued*)

Gray Coded QPSK, [564](#)
 I/Q Scaling, [562](#)
 IS-95, [561](#)
 IS-95 Mod, [561](#)
 IS-95 Mod w/EQ, [561](#)
 IS-95 OQPSK, [564](#)
 IS-95 QPSK, [564](#)
 IS-95 w/EQ, [561](#)
 MSK, [564](#)
 None, [567](#)
 Nyquist, [561](#)
 Optimize FIR For EVM ACP, [557](#)
 OQPSK, [564](#)
 $\pi/4$ DQPSK, [564](#)
 Patt Trig In 1, [571](#)
 Patt Trig In 2, [571](#)
 Phase Dev, [563](#)
 Phase Polarity Normal Invert, [565](#)
 PN11, [557](#)
 PN15, [557](#)
 PN20, [557](#)
 PN23, [557](#)
 PN9, [557](#)
 PRAM Files, [558](#)
 QPSK, [564](#)
 Rectangle, [561](#)
 Reset & Run, [568](#)
 Rise Delay, [554](#)
 Rise Time, [555](#), [556](#)
 Root Nyquist, [561](#)
 Single, [567](#)
 Symbol Rate, [565](#)
 Trigger & Run, [568](#)
 Trigger Key, [569](#)
 UN3/4 GSM Gaussian, [561](#)
 User File, [557](#)
 User FIR, [561](#)
 User FSK, [564](#)
 User I/Q, [564](#)
 Custom TS softkey, [645](#), [655](#), [790](#), [797](#)
 Custom WCDMA State softkey, [363](#)
 Cycle Count softkey, [459](#)
 Cycle End softkey, [405](#)

D

D8PSK softkey
 See custom subsystem keys
 See DECT subsystem keys
 See Dmodulation subsystem keys
 See EDGE subsystem keys
 See GSM subsystem keys
 See NADC subsystem keys
 See PDC subsystem keys
 See PHS subsystem keys
 See TETRA subsystem keys
 data
 memory subsystem, [105](#)
 data append
 memory subsystem, [106](#)
 Data Beta field, [1110](#)
 data bit, [107](#)
 data block, [114](#)
 Data Clock Out Neg Pos softkey, [133](#)
 Data Clock Polarity Neg Pos softkey, [130](#), [132](#), [134](#)
 Data field, [1088](#), [1171](#)
 data files, [105](#)
 data FSK, [109](#)
 data IQ, [110](#)
 Data Mode Raw Enc TLM softkey, [763](#), [764](#)
 Data Out Polarity Neg Pos softkey, [133](#), [135](#)
 Data Polarity Neg Pos softkey, [131](#), [132](#), [420](#)
 Data Pwr field, [1112](#)
 Data Rate field, [1038](#)
 data subsystem keys
 Error Out, [413](#)
 PN9, [413](#)
 Reference Out, [413](#)
 Data Type softkey, [392](#)
 DATA/CLK/SYNC Rear Outputs Off On softkey, [135](#)
 DAYLT field, [499](#)
 dBm softkey, [170](#)
 dBuV softkey, [170](#)
 dBuVemf softkey, [170](#)
 DC softkey, [189](#)
 DCFM/DCΦM Cal softkey, [72](#)
 DCH1 softkey, [1074](#)
 DCH2 softkey, [1074](#)
 DCH3 softkey, [1074](#)

Index

- DCH4 softkey, [1074](#)
- DCH5 softkey, [1074](#)
- DCH6 softkey, [1074](#)
- decimal values, [18](#)
- Dect Off On softkey, [621](#)
- DECT softkey, [282](#), [283](#), [284](#)
- DECT subsystem keys
 - 128QAM, [588](#)
 - 16 1's & 16 0's, [582](#), [589](#), [592](#), [595](#), [597](#), [599](#), [600](#), [604](#), [607](#), [609](#), [611](#)
 - 16-Lvl FSK, [582](#)
 - 16PSK, [588](#)
 - 16QAM, [588](#)
 - 256QAM, [588](#)
 - 2-Lvl FSK, [588](#)
 - 32 1's & 32 0's, [582](#), [589](#), [592](#), [595](#), [597](#), [599](#), [600](#), [604](#), [607](#), [609](#), [611](#)
 - 32QAM, [588](#)
 - 4 1's & 4 0's, [582](#), [589](#), [592](#), [595](#), [597](#), [599](#), [600](#), [604](#), [607](#), [609](#), [611](#)
 - 4-Lvl FSK, [588](#)
 - 4QAM, [588](#)
 - 64 1's & 64 0's, [582](#), [589](#), [592](#), [595](#), [597](#), [599](#), [600](#), [604](#), [607](#), [609](#), [611](#)
 - 64QAM, [588](#)
 - 8 1's & 8 0's, [582](#), [589](#), [592](#), [595](#), [597](#), [599](#), [600](#), [604](#), [607](#), [609](#), [611](#)
 - 8-Lvl FSK, [582](#)
 - 8PSK, [588](#)
- A field, [590](#), [593](#), [596](#), [598](#), [601](#), [602](#), [603](#), [606](#), [608](#), [610](#)
- All Timeslots, [614](#)
- APCO 25 C4FM, [585](#)
- BBG Data Clock Ext Int, [573](#)
- BBG Ref Ext Int, [584](#)
- Begin Frame, [614](#)
- Begin Timeslot #, [614](#), [615](#)
- Bit Rate, [574](#)
- BPSK, [588](#)
- Bus, [613](#), [618](#)
- Continuous, [616](#)
- Custom, [589](#), [600](#)
- D8PSK, [588](#)
- Data Format Pattern Framed, [581](#)
- Dect Off On, [621](#)
- DECT subsystem keys (*continued*)
 - DM0, [589](#), [592](#), [595](#), [597](#), [599](#), [600](#), [604](#), [607](#), [609](#), [611](#)
 - DM1, [589](#), [592](#), [595](#), [597](#), [599](#), [600](#), [604](#), [607](#), [609](#), [611](#)
 - Dummy Bearer 1, [600](#)
 - Dummy Bearer 2, [600](#)
 - Ext, [582](#), [589](#), [592](#), [595](#), [597](#), [599](#), [600](#), [604](#), [607](#), [609](#), [611](#), [613](#), [618](#)
 - Ext Data Clock Normal Symbol, [584](#)
 - Ext Delay Bits, [619](#)
 - Ext Delay Off On, [621](#)
 - Ext Polarity Neg Pos, [620](#)
 - FACC, [589](#), [592](#), [595](#), [597](#), [599](#), [600](#), [604](#), [607](#), [609](#), [611](#)
 - Fall Delay, [576](#), [577](#)
 - Fall Time, [576](#), [577](#)
 - FDEV1_FS, [589](#), [592](#), [595](#), [597](#), [599](#), [600](#), [604](#), [607](#), [609](#), [611](#)
 - FDEV1_HS, [589](#), [592](#), [595](#), [597](#), [599](#), [600](#), [604](#), [607](#), [609](#), [611](#)
 - FDEV2_FS, [589](#), [592](#), [595](#), [597](#), [599](#), [600](#), [604](#), [607](#), [609](#), [611](#)
 - Filter Alpha, [573](#)
 - Filter BbT, [574](#)
 - FIX4, [582](#), [589](#), [590](#), [592](#), [595](#), [597](#), [599](#), [600](#), [601](#), [604](#), [605](#), [607](#), [608](#), [609](#), [610](#), [611](#), [612](#)
 - Free Run, [617](#)
 - Freq Dev, [586](#)
 - Gate Active Low High, [618](#)
 - Gated, [616](#)
 - Gaussian, [585](#)
 - Gray Coded QPSK, [588](#)
 - I/Q Scaling, [586](#)
 - IS-95, [585](#)
 - IS-95 Mod, [585](#)
 - IS-95 Mod w/EQ, [585](#)
 - IS-95 OQPSK, [588](#)
 - IS-95 QPSK, [588](#)
 - IS-95 w/EQ, [585](#)
 - Low Capacity, [589](#), [600](#)
 - Low Capacity with Z field, [589](#), [600](#)
 - MSK, [588](#)
 - Nyquist, [585](#)
 - Optimize FIR For EVM ACP, [581](#)

- DECT subsystem keys (*continued*)
- OQPSK, 588
 - P, 591, 594, 596, 598, 602, 603, 604, 606, 608, 610
 - $\pi/4$ DQPSK, 588
 - Patt Trig In 1, 620
 - Patt Trig In 2, 620
 - Phase Dev, 587
 - Phase Polarity Normal Invert, 588
 - PN11, 582, 589, 592, 595, 597, 599, 600, 607, 609, 611
 - PN15, 582, 589, 592, 595, 597, 599, 600, 604, 607, 609, 611
 - PN20, 582, 589, 592, 595, 597, 599, 600, 607, 609, 611
 - PN23, 582, 589, 592, 595, 597, 599, 600, 607, 609, 611
 - PN9, 582, 589, 592, 595, 597, 599, 600, 604, 607, 609, 611
 - PN9 Mode Normal Quick, 575
 - QPSK, 588
 - Recall Secondary Frame State, 612
 - Rectangle, 585
 - Reset & Run, 617
 - Restore DECT Factory Default, 583
 - Rise Delay, 578
 - Rise Time, 579, 580
 - Root Nyquist, 585
 - S, 591, 594, 596, 598, 602, 603, 604, 607, 609, 611
 - Save Secondary Frame State, 612
 - Secondary Frame Off On, 613
 - Sine, 556, 580
 - Single, 616
 - Sync Out Offset, 614
 - Timeslot Ampl Main Delta, 593, 605
 - Timeslot Off On, 593, 606
 - Traffic Bearer, 589, 600
 - Traffic Bearer with Z field, 589, 600
 - Trigger & Run, 617
 - Trigger Key, 613, 618
 - UN3/4 GSM Gaussian, 585
 - User File, 556, 580, 582, 589, 592, 595, 597, 599, 600, 604, 607, 609, 611
 - User FIR, 585
 - User FSK, 587, 588
 - User I/Q, 588
 - dect subsystem keys
 - PRAM File, 583
 - DECT subsystem keys
 - Symbol Rate, 615
 - Default Gateway softkey, 76
 - Delay Bits softkey, 459
 - Delete All NVWFM Files softkey, 125
 - Delete All WFM Files softkey, 125
 - Delete All WFM1 Files softkey, 125
 - Delete File softkey, 126
 - Delete softkeys
 - Delete All ARB CDMA Files, 118
 - Delete All ARB DMOD Files, 118
 - Delete All ARB DWCDMA Files, 119
 - Delete All ARB FCDMA Files, 119
 - Delete All ARB MCDMA Files, 120
 - Delete All ARB MDMOD Files, 120
 - Delete All ARB MDWCDMA Files, 120
 - Delete All ARB MFCDMA Files, 120
 - Delete All ARB MTONE Files, 121
 - Delete All ARB RCDMA Files, 121
 - Delete All ARB UWCDMA Files, 122
 - Delete All Binary Files, 118
 - Delete All Bit Files, 118
 - Delete All Files, 117
 - Delete All FIR Files, 119
 - Delete All FSK Files, 119
 - Delete All I/Q Files, 119
 - Delete All List Files, 120
 - Delete All SEQ Files, 121
 - Delete All SHAPE Files, 121
 - Delete All State Files, 121
 - Delete All UFLT Files, 122
 - Delete File, 122
 - DHCP, 75
 - Diagnostic Info softkey, 81, 82, 83, 84, 89
 - diagnostic subsystem keys
 - Auxiliary Software Options, 82
 - Diagnostic Info, 81, 82, 83, 84
 - Installed Board Info, 81
 - Options Info, 83
 - diagnostic subsystem softkeys
 - Waveform Licenses, 82, 84
 - Diff Data Encode Off On softkey, 559, 781
 - Diff. Mode I Offset softkey, 26

Index

- Diff. Mode Q Offset softkey, [27](#)
- Digital Modulation Off On softkey, [293](#)
- digital modulation subsystem keys
 - 2.100 MHz, [32](#)
 - 40.000 MHz, [32](#)
 - ALC BW Normal Narrow, [22](#)
 - BBG1, [24](#), [35](#)
 - Burst Envelope Int Ext Off, [22](#)
 - Common Mode I/Q Offset, [26](#)
 - Diff. Mode I Offset, [26](#)
 - Diff. Mode Q Offset, [27](#)
 - Ext 50 Ohm, [24](#), [35](#)
 - Ext 600 Ohm, [24](#), [35](#)
 - Ext In 600 Ohm I Offset, [27](#)
 - Ext In 600 Ohm Q Offset, [28](#)
 - High Crest Mode Off On, [23](#)
 - I Offset, [29](#)
 - I/Q Adjustments Off On, [32](#)
 - I/Q Gain Balance Source 1, [29](#)
 - I/Q Mod Filter Manual Auto, [33](#)
 - I/Q Off On, [37](#)
 - I/Q Out Gain Balance, [27](#)
 - I/Q Output Atten, [28](#)
 - I/Q Timing Skew, [31](#)
 - I/Q Timing Skew Path softkey, [32](#)
 - Int I/Q Skew Corrections RF BB Off, [35](#)
 - Int Phase Polarity Normal Invert, [24](#), [34](#)
 - Modulator Atten Manual Auto, [33](#), [34](#)
 - Off, [24](#), [35](#)
 - Q Offset, [30](#)
 - Quadrature Angle Adjustment, [25](#), [30](#)
 - Sum, [24](#)
 - Summing Ratio (SRC1/SRC2) x.xx dB, [36](#)
 - Through, [32](#)
- digital signal interface module, [380](#)
- digital subsystem softkeys, [387](#)
 - Bit Order, [384](#)
 - Clock Per Sample, [380](#)
 - Clock Phase, [380](#)
 - Clock Polarity, [381](#)
 - Clock Rate, [382](#)
 - Clock Skew, [383](#)
 - Clock Source, [383](#)
 - Data Type, [392](#)
 - Direction, [385](#)
 - digital subsystem softkeys, [387](#) (*continued*)
 - Frame Polarity, [387](#)
 - I Gain, [385](#)
 - I Offset, [386](#)
 - IQ Polarity, [388](#)
 - Logic Type, [393](#)
 - Loop Back Test Type, [393](#)
 - N5102A Off On, [395](#)
 - Negate I, [386](#)
 - Negate Q, [389](#)
 - Pass Through Preset, [395](#)
 - Port Config, [394](#)
 - Q Gain, [388](#)
 - Q Offset, [390](#)
 - Reference Frequency, [382](#)
 - Rotation, [390](#)
 - Scaling, [391](#)
 - Signal Type, [392](#)
 - Swap IQ, [387](#)
 - Word Alignment, [384](#)
 - Word Size, [391](#)
 - Direction softkey, [385](#)
 - discrete response data, [11](#)
 - discrete SCPI parameters, [9](#)
 - display
 - secure mode, [160](#)
 - display contrast hardkeys, [86](#)
 - display subsystem keys
 - Brightness, [86](#)
 - display contrast, [86](#)
 - Inverse Video Off On, [87](#)
 - Update in Remote Off On, [87](#)
 - DL Reference 1.1 softkey, [1154](#)
 - wideband CDMA base band generator subsystem softkeys
 - DL Reference 1.1, [1058](#)
 - DL Reference 1.2 softkey, [1154](#)
 - wideband CDMA base band generator subsystem softkeys
 - DL Reference 1.2, [1058](#)
 - DL Reference 2.1 softkey, [1154](#)
 - wideband CDMA base band generator subsystem softkeys
 - DL Reference 2.1, [1058](#)

- DL Reference 2.2 softkey, [1154](#)
 - wideband CDMA base band generator subsystem softkeys
 - DL Reference 2.2, [1058](#)
- DM0 softkey
 - See DECT subsystem keys
- DM1 softkey
 - See DECT subsystem keys
- DMOD softkey, [95](#)
- Dmodulation subsystem keys
 - # of Carriers, [283](#), [285](#)
 - 128QAM, [279](#)
 - 16PSK, [279](#)
 - 16QAM, [279](#)
 - 2.100 MHz, [275](#)
 - 256QAM, [279](#)
 - 2-Lvl FSK, [279](#)
 - 32QAM, [279](#)
 - 40.000 MHz, [270](#), [275](#)
 - 4-Lvl FSK, [279](#)
 - 4QAM, [279](#)
 - 64QAM, [279](#)
 - 8PSK, [279](#)
 - APCO 25 C4FM, [271](#)
 - APCO 25 w/C4FM, [282](#), [283](#), [284](#)
 - APCO 25 w/C4QPSK, [282](#), [283](#), [284](#)
 - ARB Reference Ext Int, [281](#)
 - ARB Sample Clock, [282](#)
 - BPSK, [279](#)
 - Bus, [290](#)
 - Carrier Phases Fixed Random, [283](#)
 - CDPD, [282](#), [283](#), [284](#)
 - Clear Header, [273](#)
 - Continuous, [287](#)
 - Custom Digital Mod State, [283](#), [284](#)
 - D8PSK, [279](#)
 - DECT, [282](#), [283](#), [284](#)
 - Digital Modulation Off On, [293](#)
 - EDGE, [282](#), [283](#), [284](#)
 - Ext, [290](#)
 - Ext Delay Off On, [291](#)
 - Ext Delay Time, [291](#)
 - Ext Polarity Neg Pos, [292](#)
 - Filter Alpha, [272](#)
 - Filter BbT, [272](#)
 - Dmodulation subsystem keys (*continued*)
 - Free Run, [288](#)
 - Freq Dev, [279](#)
 - Freq Spacing, [283](#)
 - Gate Active Low High, [289](#)
 - Gated, [287](#)
 - Gaussian, [271](#)
 - Gray Coded QPSK, [279](#)
 - GSM, [282](#), [283](#), [284](#)
 - I/Q Mod Filter Manual Auto, [275](#)
 - I/Q Output Filter Manual Auto, [270](#)
 - Immediate, [281](#)
 - Initialize Table, [284](#)
 - Insert Row, [249](#), [284](#)
 - IS-2000 SR3 DS, [271](#)
 - IS-95, [271](#)
 - IS-95 Mod, [271](#)
 - IS-95 Mod w/EQ, [271](#)
 - IS-95 OQPSK, [279](#)
 - IS-95 QPSK, [279](#)
 - IS-95 w/EQ, [271](#)
 - Load/Store, [284](#)
 - Marker 1, [276](#), [277](#)
 - Marker 1 Polarity Neg Pos, [280](#)
 - Marker 2, [276](#), [277](#)
 - Marker 2 Polarity Neg Pos, [280](#)
 - Marker 3, [276](#), [277](#)
 - Marker 3 Polarity Neg Pos, [280](#)
 - Marker 4, [276](#), [277](#)
 - Marker 4 Polarity Neg Pos, [280](#)
 - Modulator Atten Manual Auto, [274](#)
 - MSK, [279](#)
 - Multicarrier Off On, [282](#)
 - NADC, [282](#), [283](#), [284](#)
 - None, [276](#), [277](#)
 - Nyquist, [271](#)
 - Off, [281](#)
 - On, [281](#)
 - Optimize FIR For EVM ACP, [273](#)
 - OQPSK, [279](#)
 - $\pi/4$ DQPSK, [279](#)
 - Patt Trig In 1, [292](#)
 - Patt Trig In 2, [292](#)
 - PDC, [282](#), [283](#), [284](#)
 - PHS, [282](#), [283](#), [284](#)

Index

Dmodulation subsystem keys (*continued*)

- PWT, [282](#), [283](#), [284](#)
- QPSK, [279](#)
- Rectangle, [271](#)
- Reference Freq, [212](#), [280](#)
- Reset & Run, [288](#)
- Root Nyquist, [271](#)
- Save Setup To Header, [273](#)
- Select File, [249](#), [282](#)
- Single, [287](#)
- Store Custom Dig Mod State, [285](#)
- Symbol Rate, [286](#)
- TETRA, [282](#), [283](#), [284](#)
- Through, [270](#), [275](#)
- Trigger & Run, [288](#)
- Trigger Key, [290](#)
- UN3/4 GSM Gaussian, [271](#)
- User FIR, [271](#)
- WCDMA, [271](#)
- Dn Custom Cont softkey, [1007](#)
- Dn Normal Cont softkey, [1007](#)
- Dn Normal Disc softkey, [1007](#)
- Dn Sync Cont softkey, [1007](#)
- Dn Sync Disc softkey, [1007](#)
- Do Power Search softkey, [60](#), [62](#)
- documentation, [lxxiii](#)
- Doppler Shift softkey, [764](#)
- Down Custom softkey, [896](#), [930](#)
- Down TCH All softkey, [896](#), [930](#)
- Down TCH softkey, [896](#), [930](#)
- Down/Up softkey, [1033](#), [1083](#)
- Downlink MCS-1 softkey, [641](#), [643](#), [791](#)
- Downlink MCS-5 softkey, [646](#)
- Downlink MCS-9 softkey, [646](#)
- downloading files, [116](#)
- DPCCH + 1 DPDCH softkey, [363](#)
- DPCCH + 2 DPDCH softkey, [363](#)
- DPCCH + 3 DPCCH softkey, [363](#)
- DPCCH + 4 DPDCH softkey, [363](#)
- DPCCH + 5 DPDCH softkey, [363](#)
- DPCCH Pilot data-clk (DRPS23) softkey, [1047](#),
[1049](#), [1050](#), [1051](#), [1052](#)
- DPCCH Power field, [1080](#)
- DPCCH Raw Data (RPS4) softkey
 - See* wideband CDMA base band generator subsystem keys and fields
- DPCCH Raw Data Clock (RPS5) softkey
 - See* wideband CDMA base band generator subsystem keys and fields
- DPCCH softkey, [363](#), [1074](#), [1097](#)
- DPCCH TFC I data-clk (DRPS22) softkey, [1047](#),
[1049](#), [1050](#), [1051](#), [1052](#)
- DPCCH TPC indicator (DRPS21) softkey, [1047](#),
[1049](#), [1050](#), [1051](#), [1052](#)
- DPCH + 1 softkey, [1019](#), [1020](#)
- DPCH + 2 softkey, [1019](#), [1020](#)
- DPCH Channel Balance softkey, [1027](#)
- DPCH Compressed Frame Indicator (DRPS32) softkey, [1047](#), [1049](#), [1050](#), [1051](#), [1052](#)
- DPCH data stream (DRPS24) softkey, [1047](#), [1049](#),
[1050](#), [1051](#), [1052](#)
- DPCH data-clk (0) (DRPS28) softkey, [1047](#), [1049](#),
[1050](#), [1051](#), [1052](#)
- DPCH Gap Indicator (DRPS33) softkey, [1047](#),
[1049](#), [1050](#), [1051](#), [1052](#)
- DPCH softkey, [357](#)
- DPCH TimeSlot pulse (DRPS25) softkey, [1047](#),
[1049](#), [1050](#), [1051](#), [1052](#)
- DPCH10ms Frame-Pulse (DRPS26) softkey, [1047](#),
[1049](#), [1050](#), [1051](#), [1052](#)
- DPDCH data-clk withDTX (DRPS20) softkey,
[1047](#), [1049](#), [1050](#), [1051](#), [1052](#)
- DPDCH data-clk WithOutDTX (DRPS30) softkey,
[1047](#), [1049](#), [1050](#), [1051](#), [1052](#)
- DPDCH Power field, [1089](#)
- DPDCH Raw Data (RPS2) softkey
 - See* wideband CDMA base band generator subsystem keys and fields
- DPDCH Raw DataClock (RPS3) softkey
 - See* wideband CDMA base band generator subsystem keys and fields
- DPDCH softkey, [1074](#)
- Drift Deviation softkey, [469](#)
- dual ARB subsystem
 - generate sine, [294](#)
 - markers, *See* markers
 - runtime scaling, [312](#)
 - scaling waveform files, [312](#)

- dual ARB subsystem (*continued*)
 Through, 298
- dual ARB subsystem keys
 # Skipped Points, 302
 2.100 MHz, 299
 40.000 MHz, 298, 299
 Apply to Waveform, 300, 302
 ARB Off On, 324
 ARB Reference Ext Int, 23, 311
 ARB Sample Clock, 313
 Build New Waveform Sequence, 313
 Bus, 320
 Carrier Bandwidth, 309
 Carrier to Noise Ratio, 309
 Clear Header, 295
 Clipping Type |I+jQ| |I_i|Q_i], 294
 Continuous, 318
 Edit Repetitions, 313
 Ext, 320
 Ext Delay, 321
 Ext Delay Samples, 321
 Ext Delay Time, 322
 Ext Polarity Neg Pos, 322
 First Mkr Point, 300, 302
 Free Run, 317
 Gate Active Low High, 317
 Gated, 315
 Header RMS, 295
 I/Q Mod Filter Manual Auto, 300
 I/Q Output Filter Manual Auto, 297, 298
 Immediate, 311
 Insert Waveform, 313
 Last Mkr Point, 300, 302
 Marker 1, 305
 Marker 1 2 3 4, 300
 Marker 2, 305
 Marker 3, 305
 Marker 4, 305
 Marker Polarity Neg Pos, 308, 333, 370, 475
 Markers, 302, 306
 Modulator Atten Manual Auto, 298, 299
 Name and Store, 313
 Noise Bandwidth Factor, 308
 None, 305, 306
 Off, 311, 321
- dual ARB subsystem keys (*continued*)
 On, 311
 Patt Trig In 1, 323
 Patt Trig In 2, 323
 Real-time Noise Off On, 310
 Reference Freq, 310
 Reset & Run, 317
 Samples, 321
 Save Setup To Header, 297
 Scale Waveform Data, 312
 Scaling, 312
 Segment Advance, 315
 Select Waveform, 323, 324
 Set Marker Off All Points, 301
 Set Marker Off Range Of Points, 300
 Set Marker On Range Of Points, 302
 Single, 315, 318
 Through, 298, 299
 Time, 321
 Toggle Marker 1 2 3 4, 313
 Trigger & Run, 317
 Trigger Key, 320
 Waveform Runtime Scaling, 312
- Dual-Sine softkey, 175, 182, 189, 195
 Dummy Bearer 1 softkey, 600
 Dummy Bearer 2 softkey, 600
 Dummy softkey, 799
 DWCDMA softkey, 96
 Dwell Type List Step softkey, 51
- E**
 Eb/No field, 1103
 Eb/No value (dB) field, 1073
 EbNo field, 506
See CDMA2000 BBG subsystem keys and fields
 Ec/No value field, 1019, 1104
 EcNo field, 493, 528, 533
 EDGE BERT Off On softkey, 442
 EDGE Off On softkey, 665
 EDGE softkey, 282, 283, 284, 634
 EDGE subsystem keys
 128QAM, 637
 16 1's & 16 0's, 630, 639, 641, 646
 16PSK, 637
 16QAM, 637

Index

EDGE subsystem keys (*continued*)

256QAM, 637
2-Lvl FSK, 637
32 1's & 32 0's, 630, 639, 641, 646
32QAM, 637
4 1's & 4 0's, 630, 639, 641, 646
4-Lvl FSK, 637
4QAM, 637
64 1's & 64 0's, 630, 639, 641, 646
64QAM, 637
8 1's & 8 0's, 630, 639, 641, 646
8PSK, 637
All Timeslots, 657
APCO 25 C4FM, 634
BBG Ref Ext Int, 633
Begin Frame, 657
Begin Timeslot #, 657, 658
BPSK, 637
Bus, 638, 662
Continuous, 660
CS-1, 641, 642
CS-4, 641, 643
Custom, 656
Custom TS, 645, 655
D8PSK, 637
Data Format Pattern Framed, 629
Downlink MCS-1, 641, 643
Downlink MCS-5, 646
Downlink MCS-9, 646
EDGE, 634
EDGE Off On, 665
E-TCH/F43.2, 646
Ext, 630, 638, 639, 646, 662
Ext BBG Ref Freq, 633
Ext Data Clock Ext Int, 622
Ext Data Clock Normal Symbol, 632
Ext Delay Bits, 663
Ext Delay Off On, 664
Ext Polarity Neg Pos, 664
Fall Delay, 623, 624
Fall Time, 625
Filter Alpha, 622
Filter BbT, 623
FIX4, 630, 631, 639, 640, 641, 643, 646, 652
Free Run, 660

EDGE subsystem keys (*continued*)

Freq Dev, 635
G, 640, 654
Gate Active Low High, 661
Gated, 660
Gaussian, 634
GMSK, 656
Gray Coded QPSK, 637
I/Q Scaling, 635
IS-95, 634
IS-95 Mod, 634
IS-95 Mod w/EQ, 634
IS-95 OQPSK, 637
IS-95 QPSK, 637
IS-95 w/EQ, 634
MSK, 637
Multislot Off On, 646
Normal, 656
Normal All, 656
Nyquist, 634
Optimize FIR For EVM ACP, 630
OQPSK, 637
 $\pi/4$ DQPSK, 637
Patt Trig In 1, 665
Patt Trig In 2, 665
Phase Dev, 636
Phase Polarity Normal Invert, 637
PN11, 630, 639, 646
PN15, 630, 639, 641, 642, 643, 644, 646, 650, 651, 652, 653
PN20, 630, 639, 646
PN23, 630, 639, 646
PN9, 630, 639, 641, 642, 643, 644, 646, 650, 651, 652, 653
QPSK, 637
Recall Secondary Frame State, 638
Rectangle, 634
Reset & Run, 660
Restore EDGE Factory Default, 632
Rise Delay, 626, 627
Rise Time, 627, 628
Root Nyquist, 634
S, 645
Save Secondary Frame State, 638
Secondary Frame Off On, 639

- EDGE subsystem keys (*continued*)
- Sine, [629](#)
 - Single, [660](#)
 - Symbol Rate, [658](#)
 - Sync Out Offset, [657](#)
 - T1, [654](#)
 - T2, [655](#)
 - TCH/FS, [641](#), [644](#)
 - Timeslot Ampl Main Delta, [655](#)
 - Timeslot Off On, [656](#)
 - Trigger & Run, [660](#)
 - Trigger Key, [638](#), [662](#)
 - TSC0, [645](#), [655](#)
 - TSC1, [645](#), [655](#)
 - TSC2, [645](#), [655](#)
 - TSC3, [645](#), [655](#)
 - TSC4, [645](#), [655](#)
 - TSC5, [645](#), [655](#)
 - TSC6, [645](#), [655](#)
 - TSC7, [645](#), [655](#)
 - UN3/4 GSM Gaussian, [634](#)
 - Uncoded, [646](#)
 - Uplink MCS-1, [641](#), [644](#)
 - Uplink MCS-5, [646](#)
 - Uplink MCS-9, [646](#)
 - User File, [629](#), [630](#), [639](#), [641](#), [646](#)
 - User FIR, [634](#)
 - User FSK, [636](#), [637](#)
 - User I/Q, [636](#), [637](#)
- edge subsystem keys
- PRAM File, [631](#)
- Edit Channel Setup softkey, [252](#), [255](#)
- Edit Repetitions softkey, [313](#)
- Enter Secure Mode softkey, [162](#)
- Equal Energy per Symbol softkey, [361](#)
- Equal Powers softkey
- See* CDMA ARB subsystem keys
 - See* CDMA2000 ARB subsystem keys
 - See* CDMA2000 BBG subsystem keys and fields
 - See* wideband CDMA base band generator subsystem keys and fields
- Erase All softkey, [161](#)
- Erase and Overwrite All softkey, [163](#)
- Erase and Sanitize All softkey, [163](#)
- Erase softkey, [161](#)
- ERROR
- 221, [116](#)
 - Error BER softkey, [1168](#)
 - Error Bits softkey, [1161](#)
 - Error Blocks field, [1162](#)
 - Error Count softkey, [442](#)
 - See* sense subsystem keys
 - Error Info softkey, [155](#)
 - error messages, resolving, [670](#), [811](#)
 - Error Out softkey, [413](#)
 - Error Rate softkey
 - See* calculate subsystem keys
 - See* calculate subsystem keys
- ESG file overview, [668](#), [809](#)
- ET softkey, [789](#)
- E-TCH/F43.2 softkey, [646](#)
- Even Second Delay field, [480](#), [513](#)
- Exceeds Any Limit softkey, [405](#)
- Exceeds Any Thresholds softkey
- See* sense subsystem keys
- Execute Cal softkey, [72](#), [73](#)
- Ext 50 Ohm softkey, [24](#), [35](#)
- Ext 600 Ohm softkey, [24](#), [35](#)
- Ext BBG Ref Freq softkey
- See* custom subsystem keys
 - See* EDGE subsystem keys
 - See* GSM subsystem keys
 - See* NADC subsystem keys
 - See* PDC subsystem keys
 - See* PHS subsystem keys
 - See* TETRA subsystem keys
- Ext CDMA Freq field, [500](#)
- Ext Clock Rate x1 x2 x4 softkey, [1017](#)
- Ext Data Clock Ext Int softkey
- See* EDGE subsystem keys
 - See* PDC subsystem keys
- Ext Data Clock Normal Symbol softkey
- See* custom subsystem keys
 - See* DECT subsystem keys
 - See* EDGE subsystem keys
 - See* GSM subsystem keys
 - See* NADC subsystem keys
 - See* PDC subsystem keys
 - See* PHS subsystem keys
 - See* TETRA subsystem keys

Index

Ext Delay Bits softkey

- See custom subsystem keys
- See DECT subsystem keys
- See EDGE subsystem keys
- See GSM subsystem keys
- See NADC subsystem keys
- See PDC subsystem keys
- See PHS subsystem keys
- See TETRA subsystem keys

Ext Delay Off On softkey

- See CDMA ARB subsystem keys
- See CDMA2000 ARB subsystem keys
- See custom subsystem keys
- See DECT subsystem keys
- See Dmodulation subsystem keys
- See EDGE subsystem keys
- See GSM subsystem keys
- See NADC subsystem keys
- See PDC subsystem keys
- See PHS subsystem keys
- See TETRA subsystem keys
- See wideband CDMA ARB subsystem keys

Ext Delay Samples softkey, [321](#)

Ext Delay softkey, [321](#)

Ext Delay Time softkey, [236](#), [267](#), [291](#), [322](#), [376](#)

Ext Frame Trigger Delay softkey, [427](#)

Ext In 600 Ohm I Offset softkey, [27](#)

Ext In 600 Ohm Q Offset softkey, [28](#)

Ext Polarity Neg Pos softkey

- See CDMA ARB subsystem keys
- See CDMA2000 ARB subsystem keys
- See custom subsystem keys
- See DECT subsystem keys
- See Dmodulation subsystem keys
- See dual ARB subsystem keys
- See EDGE subsystem keys
- See GSM subsystem keys
- See NADC subsystem keys
- See PDC subsystem keys
- See PHS subsystem keys
- See TETRA subsystem keys
- See wideband CDMA ARB subsystem keys

Ext softkey

- List/Sweep subsystem, [54](#)
- See amplitude modulation subsystem keys

Ext softkey (continued)

- See CDMA ARB subsystem keys
- See CDMA2000 ARB subsystem keys
- See CDMA2000 BBG subsystem keys and fields
- See custom subsystem keys
- See DECT subsystem keys
- See Dmodulation subsystem keys
- See dual ARB subsystem keys
- See EDGE subsystem keys
- See frequency modulation subsystem keys
- See GSM subsystem keys
- See low frequency output subsystem keys
- See NADC subsystem keys
- See PDC subsystem keys
- See phase modulation subsystem keys
- See PHS subsystem keys
- See sense subsystem keys
- See TETRA subsystem keys
- See trigger subsystem keys
- See wideband CDMA ARB subsystem keys
- See wideband CDMA base band generator subsystem keys and fields

Ext softkeys

- Ext Coupling DC AC, [173](#), [180](#), [193](#)
- Ext Detector, [63](#)
- Ext Pulse, [202](#)
- Ext1, [176](#), [184](#), [196](#)
- Ext2, [176](#), [184](#), [196](#)

extended numeric SCPI parameter, [8](#)

External Frame Trigger Polarity Neg Pos softkey, [427](#)

External softkey, [512](#)

F

FACC softkey

- See DECT subsystem keys

Fail Hold softkey, [405](#)

Fall Delay softkey

- See custom subsystem keys
- See DECT subsystem keys
- See EDGE subsystem keys
- See GSM subsystem keys
- See NADC subsystem keys
- See PDC subsystem keys
- See PHS subsystem keys

- Fall Delay softkey (continued)*
 - See* TETRA subsystem keys
- Fall Time softkey
 - See* custom subsystem keys
 - See* DECT subsystem keys
 - See* EDGE subsystem keys
 - See* GSM subsystem keys
 - See* NADC subsystem keys
 - See* PDC subsystem keys
 - See* PHS subsystem keys
 - See* TETRA subsystem keys
- Falling softkey, [547](#)
- FBI State field, [1079](#)
- FCDMA softkey, [96](#)
- FCOR softkey, [996](#), [1001](#)
- FCorr softkey, [799](#)
- FDEV1_FS softkey
 - See* DECT subsystem keys
- FDEV1_HS softkey
 - See* DECT subsystem keys
- FDEV2_FS softkey
 - See* DECT subsystem keys
- Field 1 field, [490](#)
- Field 2 field, [490](#)
- Field 3 field, [491](#)
- file
 - names, [105](#)
 - retrieval, [116](#)
 - systems, [14](#)
 - types, [14](#)
- file overview, HSDPA, [809](#)
- file overview, HSPA, [668](#)
- Filter Alpha softkey, [1095](#)
 - See* CDMA ARB subsystem keys
 - See* CDMA2000 ARB subsystem keys
 - See* CDMA2000 BBG subsystem keys and fields
 - See* custom subsystem keys
 - See* DECT subsystem keys
 - See* Dmodulation subsystem keys
 - See* EDGE subsystem keys
 - See* GPS subsystem keys
 - See* GSM subsystem keys
 - See* NADC subsystem keys
 - See* PDC subsystem keys
 - See* PHS subsystem keys
 - See* TETRA subsystem keys
 - See* wideband CDMA baseband generator subsystem keys and fields
- Filter Alpha softkey, [1095](#) (continued)
 - See* TETRA subsystem keys
 - See* wideband CDMA ARB subsystem keys
 - See* wideband CDMA base band generator subsystem keys and fields
- Filter BbT softkey, [1096](#)
 - See* CDMA ARB subsystem keys
 - See* CDMA2000 ARB subsystem keys
 - See* CDMA2000 BBG subsystem keys and fields
 - See* custom subsystem keys
 - See* DECT subsystem keys
 - See* Dmodulation subsystem keys
 - See* EDGE subsystem keys
 - See* GPS subsystem keys
 - See* GSM subsystem keys
 - See* NADC subsystem keys
 - See* PDC subsystem keys
 - See* PHS subsystem keys
 - See* TETRA subsystem keys
 - See* wideband CDMA ARB subsystem keys
 - See* wideband CDMA base band generator subsystem keys and fields
- FIR data, [108](#)
- FIR softkey, [97](#)
- First Mkr Point softkey, [300](#), [302](#)
- First Spread Code softkey, [356](#), [364](#)
- FIX softkey, [1079](#)
- FIX4 softkey, [643](#), [1078](#), [1107](#), [1111](#)
 - See* CDMA2000 BBG subsystem keys and fields
 - See* custom subsystem keys
 - See* DECT subsystem keys
 - See* EDGE subsystem keys
 - See* GPS subsystem keys
 - See* GSM subsystem keys
 - See* NADC subsystem keys
 - See* PDC subsystem keys
 - See* PHS subsystem keys
 - See* TETRA subsystem keys
 - See* wideband CDMA baseband generator subsystem keys and fields
- Flat Noise BW field, [1074](#)
- Flatness Off On softkey, [21](#)
- FM softkeys
 - FM Dev, [185](#)
 - FM Dev Couple Off On, [185](#)

Index

FM softkeys (*continued*)

- FM Off On, [184](#)
- FM Path 1 2, [179](#)
- FM Stop Rate, [181](#)
- FM Sweep Rate, [183](#)
- FM Tone 2 Amp Percent of Peak, [182](#)
- FM Tone 2 Rate, [181](#)
- forgiving listening and precise talking, [7](#)
- Frame Clock Polarity Neg Pos softkey, [1094](#)
- Frame Count softkey
 - See sense subsystem keys
- Frame Erasure softkey, [452](#)
 - See calculate subsystem keys
- Frame Length field
 - See CDMA2000 BBG subsystem keys and fields
- Frame Offset field
 - See CDMA2000 BBG subsystem keys and fields
- Frame offset field, [536](#)
- Frame Polarity softkey, [387](#)
- Frame Repeat Single Cont softkey, [888](#)
- Frame Struct field, [1054](#)
- Frame Sync Trigger Mode Single Cont softkey, [1149](#)
- Frame Trigger Source Int Ext softkey, [428](#)
- Free Run softkey
 - list trigger source, [54](#)
 - See amplitude modulation subsystem keys
 - See CDMA ARB subsystem keys
 - See CDMA2000 ARB subsystem keys
 - See custom subsystem keys
 - See DECT subsystem keys
 - See Dmodulation subsystem keys
 - See dual ARB subsystem keys
 - See EDGE subsystem keys
 - See frequency modulation subsystem keys
 - See GSM subsystem keys
 - See low frequency output subsystem keys
 - See NADC subsystem keys
 - See PDC subsystem keys
 - See phase modulation subsystem keys
 - See PHS subsystem keys
 - See TETRA subsystem keys
 - See trigger subsystem keys
 - See wideband CDMA ARB subsystem keys

Freq Dev softkey

- See custom subsystem keys
 - See DECT subsystem keys
 - See Dmodulation subsystem keys
 - See EDGE subsystem keys
 - See GSM subsystem keys
 - See NADC subsystem keys
 - See PDC subsystem keys
 - See TETRA subsystem keys
- ### Freq softkeys
- Freq, [42, 49](#)
 - Freq & Ampl, [49](#)
 - Freq Channels Off On, [41](#)
 - Freq Drift Type Linear Sine, [470](#)
 - Freq Multiplier, [42](#)
 - Freq Offset, [43, 470](#)
 - Freq Ref Off On, [44](#)
 - Freq Ref Set, [43](#)
 - Freq Spacing, [283, 336, 337](#)
 - Freq Start, [44, 49](#)
 - Freq Stop, [45, 49](#)
- ### Frequency hardkey, [38, 41, 42, 45, 46](#)
- ### frequency modulation subsystem keys
- Bus, [183](#)
 - Dual-Sine, [182](#)
 - Ext, [183](#)
 - Ext Coupling DC AC, [180](#)
 - Ext1, [184](#)
 - Ext2, [184](#)
 - FM Dev, [185](#)
 - FM Dev Couple Off On, [185](#)
 - FM Off On, [184](#)
 - FM Path 1 2, [179](#)
 - FM Stop Rate, [181](#)
 - FM Sweep Rate, [183](#)
 - FM Tone 2 Amp Percent of Peak, [182](#)
 - FM Tone 2 Rate, [181](#)
 - Free Run, [183](#)
 - Incr Set, [180](#)
 - Internal 1, [184](#)
 - Internal 2, [184](#)
 - Noise, [182](#)
 - Ramp, [182](#)
 - Sine, [182](#)
 - Square, [182](#)

- frequency modulation subsystem keys (*continued*)
 - Swept-Sine, 182
 - Triangle, 182
 - Trigger Key, 183
- frequency subsystem keys
 - Adjust Phase, 47
 - Channel Number, 40
 - Freq, 42, 49
 - Freq Channels Off On, 41
 - Freq Multiplier, 42
 - Freq Offset, 43
 - Freq Ref Off On, 44
 - Freq Ref Set, 43
 - Freq Start, 44, 49
 - Freq Stop, 45, 49
 - Frequency, 38, 41, 42, 45, 46
 - Off, 42, 49
 - Phase Ref Set, 47
 - Ref Oscillator Source Auto Off On, 48
- FSK softkey, 97
- FSYNCH Type field, 504
- Full softkey, 529, 534
- Function Generator softkey, 190
- G**
- G softkey, 640, 654
- Gain Unit dB Lin Index softkey, 366
- Gate Active Low High softkey
 - See* CDMA ARB subsystem keys
 - See* CDMA2000 ARB subsystem keys
 - See* custom subsystem keys
 - See* DECT subsystem keys
 - See* Dmodulation subsystem keys
 - See* dual ARB subsystem keys
 - See* EDGE subsystem keys
 - See* GSM subsystem keys
 - See* NADC subsystem keys
 - See* PDC subsystem keys
 - See* PHS subsystem keys
 - See* TETRA subsystem keys
 - See* wideband CDMA ARB subsystem keys
- Gate Clk Delay softkey, 416
- Gate Delay Off On softkey, 417
- Gate Mode Time Clk softkey, 416
- Gate Off On softkey, 418
- Gate Polarity Neg Pos softkey, 418
- Gate Time Delay softkey, 417
- Gated softkey
 - See* CDMA ARB subsystem keys
 - See* CDMA2000 ARB subsystem keys
 - See* custom subsystem keys
 - See* DECT subsystem keys
 - See* Dmodulation subsystem keys
 - See* dual ARB subsystem keys
 - See* EDGE subsystem keys
 - See* GSM subsystem keys
 - See* NADC subsystem keys
 - See* PDC subsystem keys
 - See* PHS subsystem keys
 - See* TETRA subsystem keys
 - See* wideband CDMA ARB subsystem keys
- Gaussian softkey
 - See* CDMA ARB subsystem keys
 - See* CDMA2000 ARB subsystem keys
 - See* CDMA2000 BBG subsystem keys and fields
 - See* custom subsystem keys
 - See* DECT subsystem keys
 - See* Dmodulation subsystem keys
 - See* EDGE subsystem keys
 - See* GPS subsystem keys
 - See* GSM subsystem keys
 - See* NADC subsystem keys
 - See* PDC subsystem keys
 - See* PHS subsystem keys
 - See* TETRA subsystem keys
 - See* wideband CDMA ARB subsystem keys
 - See* wideband CDMA base band generator subsystem keys and fields
- generate sine, 294
- GMSK softkey, 656
- Goto Row softkey, 334
- GPIB Address softkey, 75
- GPS Ref (f0) softkey, 768
- GPS Ref Clk Ext Int softkey, 768
- GPS subsystem
 - Data Mode Raw Enc TLM, 764
- GPS subsystem keys
 - APCO 25 C4FM, 764
 - Data Mode Raw Enc TLM, 763
 - Doppler Shift, 764

Index

GPS subsystem keys (*continued*)

Filter Alpha, [765](#)
Filter BbT, [766](#)
FIX4, [763](#)
Gaussian, [764](#)
GPS Ref (f0), [768](#)
GPS Ref Clk Ext Int, [768](#)
IQ Phase Normal Invert, [767](#)
IS-95, [764](#)
IS-95 Mod, [764](#)
IS-95 Mod w/EQ, [764](#)
IS-95 w/EQ, [764](#)
Nyquist, [764](#)
Optimize FIR For EVM ACP, [766](#)
P Code Pwr, [767](#)
PN15, [763](#)
PN9, [763](#)
Ranging Code C/A P C/A+P, [767](#)
Real-time GPS Off On, [769](#)
Rectangle, [764](#)
Root Nyquist, [764](#)
Satellite ID, [769](#)
UN3/4 GSM Gaussian, [764](#)
User File, [763](#)
User FIR, [764](#)

Gray Coded QPSK softkey

See custom subsystem keys
See DECT subsystem keys
See Dmodulation subsystem keys
See EDGE subsystem keys
See GSM subsystem keys
See NADC subsystem keys
See PDC subsystem keys
See PHS subsystem keys
See TETRA subsystem keys

GSM BERT Off On softkey, [455](#)

GSM Off On softkey, [808](#)

GSM softkey, [282](#), [283](#), [284](#)

GSM subsystem keys

128QAM, [786](#)
16 1's & 16 0's, [779](#), [788](#), [789](#), [791](#), [798](#)
16PSK, [786](#)
16QAM, [786](#)
256QAM, [786](#)
2-Lvl FSK, [786](#)

GSM subsystem keys (*continued*)

32 1's & 32 0's, [779](#), [788](#), [789](#), [791](#), [798](#)
32QAM, [786](#)
4 1's & 4 0's, [779](#), [788](#), [789](#), [791](#), [798](#)
4-Lvl FSK, [786](#)
4QAM, [786](#)
64 1's & 64 0's, [779](#), [788](#), [789](#), [791](#), [798](#)
64QAM, [786](#)
8 1's & 8 0's, [779](#), [788](#), [789](#), [791](#), [798](#)
8PSK, [786](#)
Access, [799](#)
All Timeslots, [800](#)
APCO 25 C4FM, [783](#)
BBG Data Clock Ext Int, [770](#)
BBG Ref Ext Int, [782](#)
Begin Frame, [800](#)
Begin Timeslot #, [800](#), [801](#)
Bit Rate, [771](#)
BPSK, [786](#)
Bus, [787](#), [804](#)
Continuous, [803](#)
CS-1, [791](#)
CS-4, [795](#)
Custom, [799](#)
Custom TS, [790](#), [797](#)
D8PSK, [786](#)
Data Format Pattern Framed, [778](#)
Diff Data Encode Off On, [781](#)
Downlink MCS-1, [791](#)
Dummy, [799](#)
ET, [789](#)
Ext, [779](#), [787](#), [788](#), [789](#), [798](#), [804](#)
Ext BBG Ref Freq, [585](#), [782](#)
Ext Data Clock Normal Symbol, [781](#)
Ext Delay Bits, [805](#)
Ext Delay Off On, [806](#)
Ext Polarity Neg Pos, [806](#)
Fall Delay, [773](#), [774](#)
Fall Time, [773](#), [775](#)
FCorr, [799](#)
Filter Alpha, [770](#)
Filter BbT, [771](#)
FIX4, [779](#), [780](#), [788](#), [789](#), [790](#), [791](#), [796](#), [798](#), [799](#)
Free Run, [803](#)
Freq Dev, [784](#)

GSM subsystem keys (*continued*)

Gate Active Low High, 804
 Gated, 803
 Gaussian, 783
 Gray Coded QPSK, 786
 GSM Off On, 808
 I/Q Scaling, 784
 IS-95, 783
 IS-95 Mod, 783
 IS-95 Mod w/EQ, 783
 IS-95 OQPSK, 786
 IS-95 QPSK, 786
 IS-95 w/EQ, 783
 MSK, 786
 Multislot Off On, 790
 Normal, 799
 Normal All, 799
 Nyquist, 783
 Optimize FIR For EVM ACP, 779
 OQPSK, 786
 $\pi/4$ DQPSK, 786
 Patt Trig In 1, 807
 Patt Trig In 2, 807
 Phase Dev, 785
 Phase Polarity Normal Invert, 786
 PN11, 779, 798
 PN15, 779, 788, 789, 791, 795, 796, 798
 PN20, 779, 798
 PN23, 779, 798
 PN9, 779, 788, 789, 791, 795, 796, 798
 PN9 Mode Normal Quick, 772
 QPSK, 786
 Recall Secondary Frame State, 787
 Rectangle, 783
 Reset & Run, 803
 Restore Factory Default, 780
 Rise Delay, 775, 776
 Rise Time, 777
 Root Nyquist, 783
 S, 797
 Save Secondary Frame State, 787
 Secondary Frame Off On, 788
 Sine, 778
 Single, 803
 SS, 789

GSM subsystem keys (*continued*)

Symbol Rate, 801
 Sync, 799
 Sync Out Offset, 800
 TCH/FS, 791
 Timeslot Ampl Main Delta, 798
 Timeslot Off On, 798
 Trigger & Run, 803
 Trigger Key, 787, 804
 TS, 799
 TSC0, 790, 797
 TSC1, 790, 797
 TSC2, 790, 797
 TSC3, 790, 797
 TSC4, 790, 797
 TSC5, 790, 797
 TSC6, 790, 797
 TSC7, 790, 797
 UN3/4 GSM Gaussian, 783
 Uplink MCS-1, 791
 User File, 778, 779, 788, 789, 791, 798
 User FIR, 783
 User FSK, 785, 786
 User I/Q, 785, 786
 gsm subsystem keys
 PRAM Files, 780
 guides, lxxiii

H

Half softkey, 529, 534
 Header field, 486, 496
 Help Mode Single Cont softkey, 156
 hexadecimal values, 18
 High Amplitude softkey
 See sense subsystem keys
 High Crest Mode Off On softkey, 23
 Higher Layer softkey, 1151
 Hostname softkey, 76
 HSDPA file overview, 809
 HSDPA over W-CDMA SCPI commands, 809
 HSDPA user files, 809
 HSPA file overview, 668
 HSPA user files, 668

Index

- I
- I Gain softkey, 385
- I Offset softkey, 29, 386
- I/Q Adjustments Off On softkey, 32
- I/Q Calibration softkey, 72
- I/Q Gain Balance Source 1 softkey, 29
- I/Q Mapping Normal Invert softkey, 221, 247, 345
- I/Q Mod Filter Manual Auto softkey, 33, 208, 222, 246, 275, 300, 329, 347, 474
- I/Q Off On softkey, 37
- I/Q Out Gain Balance softkey, 27
- I/Q Output Atten softkey, 28
- I/Q Output Filter Manual Auto softkey, 206, 217, 242, 270, 297, 298, 327, 345, 466
- I/Q Scaling softkey
 - See custom subsystem keys
 - See DECT subsystem keys
 - See EDGE subsystem keys
 - See GSM subsystem keys
 - See NADC subsystem keys
 - See PDC subsystem keys
 - See PHS subsystem keys
 - See TETRA subsystem keys
- I/Q softkey, 98
- I/Q Timing Skew Path, 32
- I/Q timing Skew softkey, 31
- IDLE softkey, 951, 970
- IEEE 488.2 common command keys
 - Diagnostic Info, 89
 - Instrument Options, 90
 - RECALL Reg, 90
 - Run Complete Self Test, 92
 - Save Reg, 91
 - Save Seq[n] Reg[nn], 91
 - Select Seq, 90
- Immediate softkey, 227, 261, 281, 311
 - See sense subsystem keys
- Impairments Off On softkey, 467
- Impedance 75 Ohm High softkey, 420
- Incr Set hardkey, 69
 - See amplitude modulation subsystem keys
 - See frequency modulation subsystem keys
 - See phase modulation subsystem keys
- Increment Scramble Code softkey, 352
- Increment Timing Offset softkey, 355
- Infinity softkey, 1057, 1153
- Init Power field, 1098
- Init Pwr field, 1116, 1131
- Initial Bit Count softkey, 441
- Initial Block Count softkey, 431, 434
- Initial Frame Count softkey, 451
- Initialize Phase Fixed Random softkey, 338
- Initialize Table softkey, 284
- input subsystem keys
 - 0.7V, 421
 - 1.4V, 421
 - 1.6V, 421
 - 2.5V, 421
 - Clock Delay Off On, 419
 - Clock Polarity Neg Pos, 420
 - Clock Time Delay, 419
 - Data Polarity Neg Pos, 420
 - Gate Clk Delay, 416
 - Gate Delay Off On, 417
 - Gate Mode Time Clk, 416
 - Gate Off On, 418
 - Gate Polarity Neg Pos, 418
 - Gate Time Delay, 417
 - Impedance 75 Ohm High, 420
 - Resolution, 418
- Insert Row softkey, 249, 252, 255, 284
- Insert Waveform softkey, 313
- installation guide, lxxiii
- Installed Board Info softkey, 81
- Instrument Options softkey, 90
- Int I/Q Skew Corrections RF BB Off softkey, 35
- Int softkeys
 - Int Doublet, 202
 - Int Free-Run, 202
 - Int Gated, 202
 - Int Phase Polarity Normal Invert, 24, 34
 - Int Triggered, 202
- integer response data, 11
- Intermod softkey, 1061
- Internal softkeys
 - Internal, 63, 176, 512
 - Internal 1, 184, 196
 - Internal 2, 184, 196
 - Internal Monitor, 190
 - Internal Square, 202

- Inverse Video Off On softkey, 87
- Inverted softkey, 517
- IP address, 75
- IP Address softkey, 76
- IQ Phase Normal Invert softkey, 767
- IQ Polarity softkey, 388
- IS-2000 SR3 DS softkey
 - See CDMA ARB subsystem keys
 - See CDMA2000 ARB subsystem keys
 - See Dmodulation subsystem keys
 - See wideband CDMA ARB subsystem keys
- IS-95 Mod softkey
 - See CDMA ARB subsystem keys
 - See CDMA2000 ARB subsystem keys
 - See CDMA2000 BBG subsystem keys and fields
 - See custom subsystem keys
 - See DECT subsystem keys
 - See Dmodulation subsystem keys
 - See EDGE subsystem keys
 - See GPS subsystem keys
 - See GSM subsystem keys
 - See NADC subsystem keys
 - See PDC subsystem keys
 - See PHS subsystem keys
 - See TETRA subsystem keys
 - See wideband CDMA ARB subsystem keys
 - See wideband CDMA base band subsystem keys and fields
- IS-95 Mod w/EQ softkey
 - See CDMA ARB subsystem keys
 - See CDMA2000 ARB subsystem keys
 - See CDMA2000 BBG subsystem keys and fields
 - See custom subsystem keys
 - See DECT subsystem keys
 - See Dmodulation subsystem keys
 - See EDGE subsystem keys
 - See GPS subsystem keys
 - See GSM subsystem keys
 - See NADC subsystem keys
 - See PDC subsystem keys
 - See PHS subsystem keys
 - See TETRA subsystem keys
 - See wideband CDMA ARB subsystem keys
 - See wideband CDMA base band generator subsystem keys and fields
- IS-95 OQPSK softkey
 - See custom subsystem keys
 - See DECT subsystem keys
 - See Dmodulation subsystem keys
 - See EDGE subsystem keys
 - See GSM subsystem keys
 - See NADC subsystem keys
 - See PDC subsystem keys
 - See PHS subsystem keys
 - See TETRA subsystem keys
- IS-95 QPSK softkey
 - See custom subsystem keys
 - See DECT subsystem keys
 - See Dmodulation subsystem keys
 - See EDGE subsystem keys
 - See GSM subsystem keys
 - See NADC subsystem keys
 - See PDC subsystem keys
 - See PHS subsystem keys
 - See TETRA subsystem keys
- IS-95 softkey
 - See CDMA ARB subsystem keys
 - See CDMA2000 ARB subsystem keys
 - See CDMA2000 BBG subsystem keys and fields
 - See custom subsystem keys
 - See DECT subsystem keys
 - See Dmodulation subsystem keys
 - See EDGE subsystem keys
 - See GPS subsystem keys
 - See GSM subsystem keys
 - See NADC subsystem keys
 - See PDC subsystem keys
 - See PHS subsystem keys
 - See TETRA subsystem keys
 - See wideband CDMA ARB subsystem keys
 - See wideband CDMA base band generator subsystem keys and fields
- IS-95 w/EQ softkey
 - See CDMA ARB subsystem keys
 - See CDMA2000 ARB subsystem keys
 - See CDMA2000 BBG subsystem keys and fields
 - See custom subsystem keys
 - See DECT subsystem keys
 - See Dmodulation subsystem keys
 - See EDGE subsystem keys

Index

IS-95 w/EQ softkey (continued)

See GPS subsystem keys

See GSM subsystem keys

See NADC subsystem keys

See PDC subsystem keys

See PHS subsystem keys

See TETRA subsystem keys

See wideband CDMA ARB subsystem keys

IS-97 Levels softkey, 229

J

jy, 932

L

LAN Config softkey, 75

Last Mkr Point softkey, 300, 302

Leap Seconds field, 501

Left Alternate softkey, 356

Left softkey, 1023

LF Out softkeys

LF Out Amplitude, 186

LF Out Off On, 190

LF Out Stop Freq, 186, 187, 193

LF Out Sweep Rate, 188

LF Out Sweep Time, 189

LF Out Tone 2 Ampl % of Peak, 187

LF Out Tone 2 Freq, 186, 187, 193

Link Down Up softkey, 347, 1071

Link Forward Reverse softkey, 247, 479

list data, 114

List softkey, 98, 124

list/sweep subsystem keys

Points, 57

Ampl, 49, 66

Ampl Start, 49, 67

Ampl Stop, 49, 68

Dwell Type List Step, 51

Freq, 42, 49

Freq & Ampl, 49

Freq Start, 44, 49

Freq Stop, 45, 49

Load List From Step Sweep, 55

Manual Mode Off On, 53

Manual Point, 52

list/sweep subsystem keys (*continued*)

Off, 42, 49, 66

Preset List, 56

Step Dwell, 56

Sweep Direction Down Up, 50

Sweep Retrace Off On, 54

Sweep Type List Step, 55

Load From Selected File softkey, 20, 123, 127, 336

Load List From Step Sweep softkey, 55

Load/Store softkey, 284

Logic Type softkey, 393

Long Code Mask field, 516

Long Code State field, 483, 516

Loop Back Test Type softkey, 393

Low Amplitude softkey, 430, 433

See sense subsystem keys

Low Capacity softkey, 589, 600

Low Capacity with Z field softkey, 589, 600

low frequency output subsystem keys

Bus, 189

DC, 189

Dual-Sine, 189

Ext, 189

Free Run, 189

Function Generator, 190

Internal Monitor, 190

LF Out Amplitude, 186

LF Out Off On, 190

LF Out Stop Freq, 186, 187, 193

LF Out Sweep Rate, 188

LF Out Sweep Time, 189

LF Out Tone 2 Ampl % of Peak, 187

LF Out Tone 2 Freq, 186, 187, 193

Noise, 189

Ramp, 189

Sine, 189

Square, 189

Swept-Sine, 189

Triangle, 189

Trigger Key, 189

LTM OFF field, 501

M

Manual Mode Off On softkey, 53

Manual Point softkey, 52

- Marker 1 2 3 4 softkey, [302](#)
- Marker 1 Polarity Neg Pos softkey, [212](#), [226](#), [260](#), [280](#), [475](#)
 - dual ARB subsystem, [308](#), [333](#), [475](#)
 - wideband CDMA ARB subsystem, [370](#)
- Marker 1 softkey, [209](#), [210](#), [222](#), [223](#), [224](#), [257](#), [258](#), [276](#), [277](#), [305](#), [329](#), [330](#), [331](#), [367](#), [368](#), [474](#), [475](#)
 - dual ARB subsystem, [306](#)
- Marker 2 Polarity Neg Pos softkey, [212](#), [226](#), [260](#), [280](#), [476](#)
 - dual ARB subsystem, [308](#), [333](#), [370](#), [475](#)
- Marker 2 softkey, [209](#), [210](#), [222](#), [223](#), [224](#), [257](#), [258](#), [276](#), [277](#), [305](#), [329](#), [330](#), [331](#), [367](#), [368](#), [474](#), [475](#)
 - dual ARB subsystem, [306](#)
- Marker 3 Polarity Neg Pos softkey, [212](#), [226](#), [260](#), [280](#), [476](#)
 - dual ARB subsystem, [308](#), [333](#), [475](#)
 - wideband CDMA ARB subsystem, [370](#)
- Marker 3 softkey, [209](#), [210](#), [222](#), [223](#), [224](#), [257](#), [258](#), [276](#), [277](#), [305](#), [329](#), [330](#), [331](#), [367](#), [368](#), [474](#), [475](#)
 - dual ARB subsystem, [306](#)
- Marker 4 Polarity Neg Pos softkey, [212](#), [226](#), [260](#), [280](#), [476](#)
 - dual ARB subsystem, [308](#), [333](#), [475](#)
 - wideband CDMA ARB subsystem, [370](#)
- Marker 4 softkey, [209](#), [210](#), [222](#), [223](#), [224](#), [257](#), [258](#), [276](#), [277](#), [305](#), [329](#), [330](#), [331](#), [367](#), [368](#), [474](#), [475](#)
 - dual ARB subsystem, [306](#)
- marker polarity, [212](#)
- Marker softkey, [300](#)
- Markers, [300](#)
- markers
 - alc hold
 - AWGN subsystem, [209](#)
 - CDMA ARB subsystem, [223](#)
 - CDMA2000 ARB subsystem, [257](#)
 - Dmodulation subsystem, [276](#)
 - dual ARB subsystem, [305](#)
 - multitone subsystem, [330](#), [331](#)
 - wideband CDMA ARB subsystem, [367](#)
 - alternate amplitude
 - AWGN subsystem, [209](#)
 - CDMA ARB subsystem, [222](#)
 - CDMA2000 ARB subsystem, [257](#)
 - Dmodulation subsystem, [276](#)
- markers (*continued*)
 - alternate amplitude
 - dual ARB subsystem, [305](#)
 - multitone subsystem, [329](#)
 - wideband CDMA ARB subsystem, [367](#)
 - clearing, [300](#)
 - marker polarity
 - CDMA ARB subsystem, [226](#)
 - CDMA2000 ARB subsystem, [260](#)
 - Dmodulation subsystem, [280](#)
 - dual ARB subsystem, [308](#), [475](#)
 - multitone subsystem, [333](#)
 - wideband CDMA ARB subsystem, [370](#)
 - polarity
 - AWGN subsystem, [212](#)
 - RF blanking/pulse
 - AWGN subsystem, [210](#)
 - CDMA ARB subsystem, [224](#)
 - CDMA2000 ARB subsystem, [258](#)
 - Demodulation subsystem, [277](#)
 - dual ARB subsystem, [306](#)
 - wideband CDMA ARB subsystem, [368](#)
 - setting, [302](#)
 - shifting points, [302](#)
- mass memory subsystem keys
 - Binary, [124](#)
 - Copy File, [124](#)
 - Delete All NVWFM Files, [125](#)
 - Delete All WFM Files, [125](#)
 - Delete All WFM1 Files, [125](#)
 - Delete File, [126](#)
 - List, [124](#)
 - Load From Selected File, [127](#)
 - Rename File, [127](#)
 - State, [124](#)
 - Store To File, [127](#)
 - User Flatness, [124](#)
- Max Input softkey, [1061](#)
- Max Power field, [1099](#)
- Max Pwr field, [1117](#), [1132](#)
- MCDMA softkey, [99](#)
- MDMOD softkey, [99](#)
- MDWCDMA softkey, [100](#)
- Measurement Mode BER% Search softkey, [450](#)
- Measurement Mode BLER% Search softkey, [436](#)

Index

- memory subsystem, [107](#), [109](#), [110](#)
- memory subsystem keys, [113](#), [115](#)
 - Add Comment To Seq[n] Reg[nn], [123](#)
 - All, [104](#), [122](#)
 - Binary, [94](#)
 - Bit, [94](#)
 - CDMA, [95](#)
 - Copy File, [105](#), [114](#)
 - Data PRAM, [112](#)
 - Delete All ARB CDMA Files, [118](#)
 - Delete All ARB DMOD Files, [118](#)
 - Delete All ARB DWCDMA Files, [119](#)
 - Delete All ARB FCDMA Files, [119](#)
 - Delete All ARB MCDMA Files, [120](#)
 - Delete All ARB MDWCDMA Files, [120](#)
 - Delete All ARB MTONE Files, [121](#)
 - Delete All ARB RCDMA Files, [121](#)
 - Delete All ARB UWCDMA Files, [122](#)
 - Delete All Binary Files, [118](#)
 - Delete All Bit Files, [118](#)
 - Delete All Files, [117](#)
 - Delete All FIR Files, [119](#)
 - Delete All FSK Files, [119](#)
 - Delete All I/Q Files, [119](#)
 - Delete All List Files, [120](#)
 - Delete All MDMOD Files, [120](#)
 - Delete All MFCDMA Files, [120](#)
 - Delete All SEQ Files, [121](#)
 - Delete All SHAPE Files, [121](#)
 - Delete All State Files, [121](#)
 - Delete All UFLT Files, [122](#)
 - Delete File, [122](#)
 - DMOD, [95](#)
 - DWCDMA, [96](#)
 - FCDMA, [96](#)
 - FIR, [97](#)
 - FSK, [97](#)
 - I/Q, [98](#)
 - List, [98](#)
 - Load From Selected File, [123](#)
 - MCDMA, [99](#)
 - MDMOD, [99](#)
 - MDWCDMA, [100](#)
 - MFCDMA, [100](#)
 - MTONE, [101](#)
 - memory subsystem keys, [113](#), [115](#) (*continued*)
 - Oversample Ratio, [108](#)
 - RCDMA, [101](#)
 - Rename File, [123](#)
 - SEQ, [102](#)
 - SHAPE, [102](#)
 - State, [103](#)
 - Store To File, [123](#)
 - User Flatness, [103](#)
 - UWCDMA, [104](#)
 - Message Data Raw Data (RPS11) softkey
 - See* wideband CDMA base band generator subsystem keys and fields
 - Message Part field, [1115](#)
 - Message Pulse (RPS22) softkey
 - See* wideband CDMA base band generator subsystem keys and fields
 - Message Type field, [502](#)
 - Message-Control Raw Data Clock (RPS12) softkey
 - See* wideband CDMA base band generator subsystem keys and fields
 - Meter Address softkeys, [77](#)
 - Meter Channel A B softkey, [77](#)
 - Meter Timeout softkey, [78](#)
 - MFCDMA softkey, [100](#)
 - Min Power field, [1099](#)
 - Mod Index softkey, [471](#)
 - Mod On/Off hardkey, [129](#)
 - Modulator Atten Manual Auto softkey, [33](#), [34](#), [207](#), [221](#), [245](#), [246](#), [274](#), [298](#), [299](#), [328](#), [346](#), [472](#), [473](#)
 - Msg Ctrl softkey, [1104](#)
 - Msg Data softkey, [1104](#)
 - Msg Pwr field, [1115](#), [1130](#)
 - MSK softkey
 - See* custom subsystem keys
 - See* DECT subsystem keys
 - See* Dmodulation subsystem keys
 - See* EDGE subsystem keys
 - See* GSM subsystem keys
 - See* NADC subsystem keys
 - See* PDC subsystem keys
 - See* PHS subsystem keys
 - See* TETRA subsystem keys
 - MTONE softkey, [101](#)
 - multicarrier, [348](#)

Multicarrier Off On softkey, 228, 247, 282
 Multicarrier softkey, 348
 Multislot Off On softkey, 646, 790
 Multitone Off On softkey, 339
 multitone subsystem keys
 2.100 MHz, 329
 40.000 MHz, 327, 329
 ARB Reference Ext Int, 333
 ARB Sample Clock, 335
 Clear Header, 326
 Freq Spacing, 336, 337
 Goto Row, 334
 I/Q Mod Filter Manual Auto, 329
 I/Q Output Filter Manual Auto, 327
 Initialize Phase Fixed Random, 338
 Load From Selected File, 336
 Marker 1, 329, 330, 331
 Marker 2, 329, 330, 331
 Marker 3, 329, 330, 331
 Marker 4, 329, 330, 331
 Modulator Atten Manual Auto, 328
 Multitone Off On, 339
 None, 329, 330, 331
 Number Of Tones, 336, 337
 Random Seed Fixed Random, 338
 Reference Freq, 333
 Save Setup To Header, 326
 Store To File, 336
 Through, 327, 329
 Toggle State, 334, 336
 Waveform Runtime Scaling, 335
 mV softkey, 170
 mVemf softkey, 170

N

N Power field, 1075, 1105
 N5102A, 380
 See digital subsystem
 N5102A Off On softkey, 395
 NADC Off On softkey, 904
 NADC softkey, 282, 283, 284
 NADC subsystem keys
 128QAM, 887
 16 1's & 16 0's, 881, 890, 892, 894, 895
 16PSK, 887

NADC subsystem keys (*continued*)
 16QAM, 887
 256QAM, 887
 2-Lvl FSK, 887
 32 1's & 32 0's, 881, 890, 892, 894, 895
 32QAM, 887
 4 1's & 4 0's, 881, 890, 892, 894, 895
 4-Lvl FSK, 887
 4QAM, 887
 64 1's & 64 0's, 881, 890, 892, 894, 895
 64QAM, 887
 8 1's & 8 0's, 881, 890, 892, 894, 895
 8PSK, 887
 All Timeslots, 897
 APCO 25 C4FM, 884
 BBG Data Clock Ext Int, 871
 BBG Ref Ext Int, 883
 Begin Frame, 897
 Begin Timeslot #, 897, 898
 Bit Rate, 872
 BPSK, 887
 Bus, 889, 901
 CDL, 891
 CDVCC, 891, 894
 Continuous, 899
 D8PSK, 887
 Data Format Pattern Framed, 879
 Down Custom, 896
 Down TCH, 896
 Down TCH All, 896
 Ext, 881, 889, 890, 892, 894, 895, 901
 Ext BBG Ref Freq, 884
 Ext Data Clock Normal Symbol, 883
 Ext Delay Bits, 902
 Ext Delay Off On, 903
 Ext Polarity Neg Pos, 903
 Fall Delay, 874, 875
 Fall Time, 875, 876
 Filter Alpha, 871
 Filter BbT, 872
 FIX4, 881, 882, 890, 892, 893, 894, 895, 896
 Frame Repeat Single Cont, 888
 Free Run, 900
 Freq Dev, 886
 Gate Active Low High, 901

Index

NADC subsystem keys (*continued*)

Gated, 899
Gaussian, 884
Gray Coded QPSK, 887
I/Q Scaling, 885
IS-95, 884
IS-95 Mod, 884
IS-95 Mod w/EQ, 884
IS-95 OQPSK, 887
IS-95 QPSK, 887
IS-95 w/EQ, 884
MSK, 887
NADC Off On, 904
Nyquist, 884
Optimize FIR For EVM ACP, 880
OQPSK, 887
 $\pi/4$ DQPSK, 887
Patt Trig In 1, 903
Patt Trig In 2, 903
Phase Dev, 886
PN11, 881, 890, 892, 894, 895
PN15, 881, 890, 892, 894, 895
PN20, 881, 890, 892, 894, 895
PN23, 881, 890, 892, 894, 895
PN9, 881, 890, 892, 894, 895
PN9 Mode Normal Quick, 873
Polarity Normal Invert, 888
QPSK, 887
Rate Full Half, 885
Recall Secondary Frame State, 888
Rectangle, 884
Reset & Run, 900
Restore NADC Factory Default, 882
Rise Delay, 877
Rise Time, 878, 879
Root Nyquist, 884
SACCH, 891, 895
Save Secondary Frame State, 889
Secondary Frame Off On, 889
Sine, 874, 880
Single, 899
Symbol Rate, 898
SYNC, 892, 895
Sync Out Offset, 897
Timeslot Ampl Main Delta, 893

NADC subsystem keys (*continued*)

Timeslot Off On, 893
Trigger & Run, 900
Trigger Key, 889, 901
UN3/4 GSM Gaussian, 884
Up Custom, 896
Up TCH, 896
Up TCH All, 896
User File, 874, 880, 881, 890, 892, 894, 895
User FIR, 884
User FSK, 886, 887
User I/Q, 887
nadc subsystem keys
PRAM Files, 881
Name and Store softkey, 313
Negate I softkey, 386
Negate Q softkey, 389
Network ID field, 502
No Limits softkey
See calculate subsystem keys
No Thresholds softkey
See sense subsystem keys
Noise Bandwidth Factor softkey, 308
Noise Off On softkey, 506, 518
Noise Seed Fixed Random softkey, 214
Noise Seed softkey, 469
Noise softkey, 175, 182, 189, 195
NONE (RPS0) softkey
See wideband CDMA base band generator
subsystem keys and fields
NONE softkey, 1159
None softkey, 161, 209, 210, 222, 223, 224, 257,
258, 276, 277, 305, 306, 329, 330, 331, 367,
368, 474, 475, 567, 1065, 1067, 1164, 1171
Normal All softkey, 656, 799
Normal softkey, 517, 656, 799, 1023
Num of Blk field, 1165, 1172
Num of Pre field, 1116, 1131
Number of AICH field, 1101
Number of PRACH 80ms field, 1115
Number of PRACH field, 1128, 1130
Number of Preamble field, 1131
Number Of Tones softkey, 336, 337
numeric boolean response data, 11
Numeric Format, 387

- Numeric Format softkey, [387](#)
- numeric SCPI parameter, [8](#)
- numeric, extended SCPI parameter, [8](#)
- Nyquist softkey
 - See CDMA ARB subsystem keys
 - See CDMA2000 ARB subsystem keys
 - See CDMA2000 BBG subsystem keys and fields
 - See custom subsystem keys
 - See DECT subsystem keys
 - See Dmodulation subsystem keys
 - See EDGE subsystem keys
 - See GPS subsystem keys
 - See GSM subsystem keys
 - See NADC subsystem keys
 - See PDC subsystem keys
 - See PHS subsystem keys
 - See TETRA subsystem keys
 - See wideband CDMA ARB subsystem keys
 - See wideband CDMA base band generator subsystem keys and fields
- O**
- OCNS softkey, [357](#)
- octal values, [18](#)
- Off softkey, [24](#), [35](#), [42](#), [49](#), [66](#), [227](#), [261](#), [281](#), [311](#), [1127](#)
- Off softkey, dual ARB trigger delay, [321](#)
- Omitted softkey, [1057](#), [1153](#)
- On softkey, [227](#), [261](#), [281](#), [311](#), [1127](#)
- On/Off field, [1039](#), [1120](#)
- OpenLoop Ant1 SCH TSTD OFF softkey, [1062](#)
- OpenLoop Ant1 softkey, [1062](#)
- OpenLoop Ant2 SCH TSTD OFF softkey, [1062](#)
- OpenLoop Ant2 softkey, [1062](#)
- Optimize ACP ADJ ALT softkey, [347](#), [362](#)
- Optimize FIR For EVM ACP softkey, [1096](#)
 - See CDMA ARB subsystem keys
 - See CDMA2000 ARB subsystem keys
 - See CDMA2000 BBG subsystem keys and fields
 - See custom subsystem keys
 - See DECT subsystem keys
 - See Dmodulation subsystem keys
 - See EDGE subsystem keys
 - See GPS subsystem keys
 - See GSM subsystem keys
- Optimize FIR For EVM ACP softkey, [1096](#)
 - (continued)
 - See NADC subsystem keys
 - See PDC subsystem keys
 - See PHS subsystem keys
 - See TETRA subsystem keys
 - See wideband CDMA ARB subsystem keys
 - See wideband CDMA base band generator subsystem keys and fields
- options
 - 001/002
 - all subsystem, [204](#), [462](#)
 - custom subsystem, [548](#)
 - Dmodulation subsystem, [270](#)
 - dual ARB subsystem, [294](#)
 - multitone subsystem, [326](#)
 - 400
 - wideband CDMA ARB subsystem, [340](#)
 - wideband CDMA base band generator subsystem, [1017](#)
 - 401
 - CDMA ARB subsystem, [215](#)
 - CDMA2000 ARB subsystem, [240](#)
 - CDMA2000 BBG subsystem, [479](#)
 - 402
 - DECT subsystem, [573](#)
 - EDGE subsystem, [622](#)
 - GSM subsystem, [770](#)
 - NADC subsystem, [871](#)
 - PDC subsystem, [905](#)
 - PHS subsystem, [938](#)
 - TETRA subsystem, [974](#)
 - 403
 - AWGN real-time subsystem, [463](#)
 - AWGN subsystem, [205](#)
 - 406
 - bluetooth subsystem, [464](#)
 - 409
 - GPS subsystem, [763](#)
 - UN7/300
 - calculate subsystem, [398](#)
 - data subsystem, [408](#)
 - input subsystem, [416](#), [422](#)
 - sense subsystem, [425](#)
- Options Info softkey, [83](#)

Index

OQPSK softkey

- See* custom subsystem keys
- See* DECT subsystem keys
- See* Dmodulation subsystem keys
- See* EDGE subsystem keys
- See* GSM subsystem keys
- See* NADC subsystem keys
- See* PDC subsystem keys
- See* PHS subsystem keys
- See* TETRA subsystem keys

Output Blanking Off On Auto softkey, 128

output subsystem keys

- Mod On/Off, 129
- Output Blanking Off On Auto, 128
- RF On/Off, 129

Oversample Ratio softkey, 108, 226

Overwrite softkey, 161

P

P Code Pwr softkey, 767

P Rev field, 503

P Rev Min field, 501

P softkey, 591

$\pi/4$ DQPSK softkey

- See* custom subsystem keys
- See* DECT subsystem keys
- See* Dmodulation subsystem keys
- See* EDGE subsystem keys
- See* GSM subsystem keys
- See* NADC subsystem keys
- See* PDC subsystem keys
- See* PHS subsystem keys
- See* TETRA subsystem keys

Packet (DH1) softkey, 476

Paging Indicator field, 510, 1043

Paging softkey, 229

parameter types. *See* SCPI commands parameter types

Pass Amplitude softkey, 430, 434

- See* sense subsystem keys

Pass Through Preset softkey, 395

Pass/Fail Limits softkey, 406

Pass/Fail Off On softkey, 406

paths, SCPI command tree, 7

Patt Trig In 1 softkey

- See* CDMA ARB subsystem keys
- See* CDMA2000 ARB subsystem keys
- See* custom subsystem keys
- See* DECT subsystem keys
- See* Dmodulation subsystem keys
- See* dual ARB subsystem keys
- See* EDGE subsystem keys
- See* GSM subsystem keys
- See* NADC subsystem keys
- See* PDC subsystem keys
- See* PHS subsystem keys
- See* TETRA subsystem keys
- See* wideband CDMA ARB subsystem keys
- subsystem keys

Patt Trig In 2 softkey

- See* CDMA ARB subsystem keys
- See* CDMA2000 ARB subsystem keys
- See* custom subsystem keys
- See* DECT subsystem keys
- See* Dmodulation subsystem keys
- See* dual ARB subsystem keys
- See* EDGE subsystem keys
- See* GSM subsystem keys
- See* NADC subsystem keys
- See* PDC subsystem keys
- See* PHS subsystem keys
- See* TETRA subsystem keys
- See* wideband CDMA ARB subsystem keys
- subsystem keys

Pattern trigger in 1 field, 1141

Pattern trigger in 2 field, 1142

PCCPCH + SCH + 3 DPCH softkey, 348, 353

PCCPCH + SCH +1 DPCH softkey, 348, 353

PCCPCH + SCH softkey, 348, 353

P-CCPCH data (DRPS39) softkey, 1047, 1049, 1050, 1051, 1052

P-CCPCH data-clk (DRPS38) softkey, 1047, 1049, 1050, 1051, 1052

PCCPCH softkey, 1019, 1020

PDC Off On softkey, 937

PDC softkey, 282, 283, 284

PDC subsystem keys

- 128QAM, 920

- 16 1's & 16 0's, 914, 923, 924, 926, 928

PDC subsystem keys (*continued*)

16PSK, 920
 16QAM, 920
 256QAM, 920
 2-Lvl FSK, 920
 32 1's & 32 0's, 914, 923, 924, 926, 928
 32QAM, 920
 4 1's & 4 0's, 914, 923, 924, 926, 928
 4-Lvl FSK, 920
 4QAM, 920
 64 1's & 64 0's, 914, 923, 924, 926, 928
 64QAM, 920
 8 1's & 8 0's, 914, 923, 924, 926, 928
 8PSK, 920
 All Timeslots, 930
 APCO 25 C4FM, 917
 BBG Ref Ext Int, 916
 Begin Frame, 930
 Begin Timeslot #, 930, 931
 Bit Rate, 906
 BPSK, 920
 Bus, 922, 934
 CC, 923, 927, 929
 Continuous, 933
 D8PSK, 920
 Data Format Pattern Framed, 913
 Down Custom, 930
 Down TCH, 930
 Down TCH All, 930
 Ext, 914, 922, 923, 924, 926, 928, 934
 Ext BBG Ref Freq, 917
 Ext Data Clock Ext Int, 905
 Ext Data Clock Normal Symbol, 916
 Ext Delay Bits, 935
 Ext Delay Off On, 936
 Ext Polarity Neg Pos, 936
 Fall Delay, 908, 909
 Fall Time, 908, 910
 Filter Alpha, 905
 Filter BbT, 906
 FIX4, 914, 915, 923, 924, 925, 926, 928
 Free Run, 933
 Freq Dev, 919
 Gate Active Low High, 934
 Gated, 933

PDC subsystem keys (*continued*)

Gaussian, 917
 Gray Coded QPSK, 920
 I/Q Scaling, 918
 IS-95, 917
 IS-95 Mod, 917
 IS-95 Mod w/EQ, 917
 IS-95 OQPSK, 920
 IS-95 QPSK, 920
 IS-95 w/EQ, 917
 MSK, 920
 Nyquist, 917
 Optimize FIR For EVM ACP, 914
 OQPSK, 920
 $\pi/4$ DQPSK, 920
 Patt Trig In 1, 937
 Patt Trig In 2, 937
 PDC Off On, 937
 Phase Dev, 919
 Phase Polarity Normal Invert, 921
 PN11, 914, 924, 926, 928
 PN15, 914, 923, 924, 926, 928
 PN20, 914, 924, 926, 928
 PN23, 914, 924, 926, 928
 PN9, 914, 923, 924, 926, 928
 PN9 Mode Normal Quick, 907
 QPSK, 920
 Rate Full Half, 918
 Recall Secondary Frame State, 921
 Rectangle, 917
 Reset & Run, 933
 Restore PDC Factory Default, 915
 Rise Delay, 910, 911
 Rise Time, 912
 Root Nyquist, 917
 SACCH, 924, 927, 929
 Save Secondary Frame State, 921
 Secondary Frame Off On, 922
 Sine, 913
 Single, 933
 SW, 924, 927, 929
 Symbol Rate, 931
 Sync Out Offset, 930
 Timeslot Ampl Main Delta, 925
 Timeslot Off On, 926

Index

PDC subsystem keys (*continued*)

- Trigger & Run, [933](#)
- Trigger Key, [922](#), [934](#)
- UN3/4 GSM Gaussian, [917](#)
- Up Custom, [930](#)
- Up TCH, [930](#)
- Up TCH All, [930](#)
- Up VOX, [930](#)
- User File, [913](#), [914](#), [923](#), [924](#), [926](#), [928](#)
- User FIR, [917](#)
- User FSK, [920](#)
- User I/Q, [920](#)

pdcc subsystem keys

- PRAM Files, [915](#)

Performance Req softkey, [1061](#)

Permuted ESN field, [486](#), [496](#)

Phase Dev softkey

- See* custom subsystem keys
- See* DECT subsystem keys
- See* EDGE subsystem keys
- See* GSM subsystem keys
- See* NADC subsystem keys
- See* PDC subsystem keys
- See* PHS subsystem keys
- See* TETRA subsystem keys

phase modulation subsystem keys

- Φ M Sweep Time softkey, [195](#)
- FM Φ M Normal High BW softkey, [192](#)
- Φ M Dev Couple Off On, [197](#)
- Φ M Dev softkey, [197](#)
- Φ M Off On softkey, [196](#)
- Φ M Path 1 2, [191](#)
- Φ M Tone 2 Ampl Percent of Peak, [194](#)
- Φ M Tone 2 Rate, [194](#)
- Bus, [195](#)
- Dual-Sine, [195](#)
- Ext, [195](#)
- Ext Coupling DC AC, [193](#)
- Ext1, [196](#)
- Ext2, [196](#)
- Free Run, [195](#)
- Incr Set, [192](#), [198](#)
- Internal 1, [196](#)
- Internal 2, [196](#)
- Noise, [195](#)

phase modulation subsystem keys (*continued*)

- Ramp, [195](#)
- Sine, [195](#)
- Square, [195](#)
- Swept-Sine, [195](#)
- Triangle, [195](#)
- Trigger Key, [195](#)

Phase Polarity field, [509](#)

Phase Polarity Normal Invert softkey

- See* custom subsystem keys
- See* DECT subsystem keys
- See* EDGE subsystem keys
- See* GSM subsystem keys
- See* PDC subsystem keys
- See* PHS subsystem keys
- See* TETRA subsystem keys
- See* wideband CDMA base band generator subsystem keys and fields

Phase Polarity Normal Inverted softkey, [1071](#)

Phase Ref Set softkey, [47](#)

PHS Off On softkey, [973](#)

PHS softkey, [282](#), [283](#), [284](#)

PHS subsystem keys

- 128QAM, [959](#)
- 16 1's & 16 0's, [948](#), [950](#), [953](#), [968](#), [972](#)
- 16-Lvl FSK, [959](#)
- 16PSK, [959](#)
- 16QAM, [959](#)
- 256QAM, [959](#)
- 2-Lvl FSK, [959](#)
- 32 1's & 32 0's, [948](#), [950](#), [953](#), [968](#), [972](#)
- 32QAM, [959](#)
- 4 1's & 4 0's, [948](#), [950](#), [953](#), [968](#), [972](#)
- 4-Lvl FSK, [959](#)
- 4QAM, [959](#)
- 64 1's & 64 0's, [948](#), [950](#), [953](#), [968](#), [972](#)
- 64QAM, [959](#)
- 8 1's & 8 0's, [948](#), [950](#), [953](#), [968](#), [972](#)
- 8-Lvl FSK, [959](#)
- 8PSK, [959](#)
- All Timeslots, [961](#)
- APCO 25 C4FM, [956](#)
- BBG Data Clock Ext Int, [938](#)
- BBG Ref Ext Int, [955](#)
- Begin Frame, [961](#)

PHS subsystem keys (*continued*)

Begin Timeslot #, 961, 962
 Bit Rate, 939
 BPSK, 959
 Bus, 960, 967
 C4FM, 959
 Continuous, 963
 CSID, 951, 969
 Custom, 954
 D8PSK, 959
 Data Format Pattern Framed, 947
 Ext, 948, 950, 953, 960, 967, 968, 972
 Ext BBG Ref Freq, 955
 Ext Data Clock Normal Symbol, 954
 Ext Delay Bits, 965
 Ext Delay Off On, 966
 Ext Polarity Neg Pos, 966
 Fall Delay, 942, 943
 Fall Time, 942, 944
 Filter Alpha, 938
 Filter BbT, 939
 FIX4, 948, 949, 950, 953, 968, 969, 972
 Free Run, 964
 Gate Active Low High, 965
 Gated, 963
 Gaussian, 956
 Gray Coded QPSK, 959
 I/Q Scaling, 957
 IDLE, 951, 970
 IS-95, 956
 IS-95 Mod, 956
 IS-95 Mod w/EQ, 956
 IS-95 OQPSK, 959
 IS-95 QPSK, 959
 IS-95 w/EQ, 956
 MSK, 959
 Nyquist, 956
 Optimize FIR For EVM ACP, 948
 OQPSK, 959
 $\pi/4$ DQPSK, 959
 Patt Trig In 1, 966
 Patt Trig In 2, 966
 Phase Dev, 957, 958
 Phase Polarity Normal Invert, 959
 PHS Off On, 973

PHS subsystem keys (*continued*)

PN11, 948, 950, 953, 968, 972
 PN15, 948, 950, 953, 968, 972
 PN20, 948, 950, 953, 968, 972
 PN23, 948, 950, 953, 968, 972
 PN9, 948, 950, 953, 968, 972
 PN9 Mode Normal Quick, 940
 PSID, 951, 970
 QPSK, 959
 Recall Secondary Frame State, 959
 Rectangle, 956
 Reset & Run, 964
 Restore PHS Factory Default, 949
 Rise Delay, 944, 945
 Rise Time, 946
 Root Nyquist, 956
 SA, 952, 971
 Save Secondary Frame State, 960
 Scramble Off On, 941
 Scramble Seed, 941
 Secondary Frame Off On, 960
 Sine, 947
 Single, 963
 Symbol Rate, 962
 SYNC, 954
 Sync Out Offset, 961
 TCH, 954
 TCH All, 954
 Timeslot Ampl Main Delta, 950, 969
 Timeslot Off On, 952, 971
 Timeslot Type, 972
 Trigger & Run, 964
 Trigger Key, 960, 967
 UN3/4 GSM Gaussian, 956
 User File, 947, 948, 950, 953, 968, 972
 User FIR, 956
 User FSK, 958, 959
 User I/Q, 958, 959
 UW, 952, 953, 970, 971

phs subsystem keys
 PRAM Files, 949
 PI Bits field, 1043
 PICH 10ms FramePulse (DRPS37) softkey, 1047,
 1049, 1050, 1051, 1052

Index

- PICH data (DRPS35) softkey, [1047](#), [1049](#), [1050](#), [1051](#), [1052](#)
- PICH data-clk (DRPS34) softkey, [1047](#), [1049](#), [1050](#), [1051](#), [1052](#)
- PICH softkey, [357](#), [1019](#), [1020](#)
- PICH TimeSlot Pulse (DRPS36) softkey, [1047](#), [1049](#), [1050](#), [1051](#), [1052](#)
- Pilot softkey, [228](#), [229](#), [231](#), [247](#), [254](#)
- Playback Ratio field, [1023](#)
- PN Offset field, [512](#)
- PN Offset softkey, [252](#), [255](#)
- PN11 softkey
 - See* custom subsystem keys
 - See* DECT subsystem keys
 - See* EDGE subsystem keys
 - See* GSM subsystem keys
 - See* NADC subsystem keys
 - See* PDC subsystem keys
 - See* PHS subsystem keys
 - See* sense subsystem keys
 - See* TETRA subsystem keys
- PN15 softkey
 - See* CDMA2000 BBG subsystem keys and fields
 - See* custom subsystem keys
 - See* DECT subsystem keys
 - See* EDGE subsystem keys
 - See* GPS subsystem keys
 - See* GSM subsystem keys
 - See* NADC subsystem keys
 - See* PDC subsystem keys
 - See* PHS subsystem keys
 - See* sense subsystem keys
 - See* TETRA subsystem keys
 - See* wideband CDMA base band generator subsystem keys and fields
- PN20 softkey
 - See* custom subsystem keys
 - See* DECT subsystem keys
 - See* EDGE subsystem keys
 - See* GSM subsystem keys
 - See* NADC subsystem keys
 - See* PDC subsystem keys
 - See* PHS subsystem keys
 - See* sense subsystem keys
 - See* TETRA subsystem keys
- PN23 softkey
 - See* custom subsystem keys
 - See* DECT subsystem keys
 - See* EDGE subsystem keys
 - See* GSM subsystem keys
 - See* NADC subsystem keys
 - See* PDC subsystem keys
 - See* PHS subsystem keys
 - See* sense subsystem keys
 - See* TETRA subsystem keys
- PN9 Mode Normal Quick softkey
 - See* DECT subsystem keys
 - See* GSM subsystem keys
 - See* NADC subsystem keys
 - See* PDC subsystem keys
 - See* PHS subsystem keys
 - See* TETRA subsystem keys
- PN9 Mode Preset softkey, [159](#)
- PN9 softkey
 - See* CDMA2000 BBG subsystem keys and fields
 - See* custom subsystem keys
 - See* data subsystem keys
 - See* DECT subsystem keys
 - See* EDGE subsystem keys
 - See* GPS subsystem keys
 - See* GSM subsystem keys
 - See* NADC subsystem keys
 - See* PDC subsystem keys
 - See* PHS subsystem keys
 - See* sense subsystem keys
 - See* TETRA subsystem keys
 - See* wideband CDMA base band generator subsystem keys and fields
- polarity
 - awgn subsystem, [212](#)
- markers
 - cdma arb subsystem, [226](#)
 - cdma2000 arb subsystem, [260](#)
 - dmodulation subsystem, [280](#)
 - dual ARB subsystem, [308](#), [475](#)
 - multitone subsystem, [333](#)
 - wideband CDMA ARB subsystem, [370](#)
- polarity markers
 - awgn subsystem, [212](#)
- Polarity Normal Invert softkey, [888](#)

- Port Config softkey, [394](#)
- Power Control Signal Polarity Neg Pos softkey, [1101](#)
- Power field
 - See* CDMA2000 BBG subsystem keys and fields
 - See* wideband CDMA baseband generator subsystem keys and fields
- Power Hold Off On softkey, [1098](#)
- Power Meter softkey, [78](#)
- Power Mode Norm TPC softkey, [1101](#)
- Power On Last Preset softkey, [157](#)
- Power Search Manual Auto softkey, [60](#), [62](#)
- Power Search Reference Fixed Mod softkey, [61](#)
- Power softkey, [364](#)
- power subsystem keys
 - ALC Off On, [62](#)
 - Alt Amp Delta, [63](#)
 - Alt Ampl Off On, [64](#)
 - Ampl, [49](#), [66](#)
 - Ampl Offset, [68](#)
 - Ampl Ref Off On, [67](#)
 - Ampl Ref Set, [66](#)
 - Ampl Start, [49](#), [67](#)
 - Ampl Stop, [49](#), [68](#)
 - Amplitude, [66](#), [69](#)
 - Atten Hold Off On, [65](#)
 - Auto, [58](#), [59](#)
 - Do Power Search, [60](#), [62](#)
 - Ext Detector, [63](#)
 - Internal, [63](#)
 - Off, [49](#), [66](#)
 - Power Search Manual Auto, [60](#), [62](#)
 - Power Search Reference Fixed Mod, [61](#)
 - Set ALC Level, [60](#)
 - Set Atten, [65](#)
 - Source Module, [63](#)
 - Span Type User Full softkey, [62](#)
 - Start Frequency, [61](#)
 - step, [69](#)
 - Stop Frequency, [61](#)
- PPCCPCH softkey, [357](#), [358](#)
- Pp-m field, [1117](#), [1133](#)
- PRACH Mode Single Multi softkey, [1114](#)
- PRACH Power Setup Mode Pp-m Total softkey, [1121](#)
- PRACH Processing (RPS19) softkey
 - See* wideband CDMA base band generator subsystem keys and fields
- PRACH Scrambling Code field, [1122](#)
- PRACH softkey, [1097](#)
- PRACH Trigger Polarity Neg Pos softkey, [1126](#)
- PRACH Trigger softkey, [1126](#)
- PRACH Trigger Source Immedi Trigger softkey, [1126](#)
- PRAM
 - downloads, [112](#)
 - list, [113](#)
- PRAM DATA BLOCK, [114](#)
- pram files
 - CUSTOM subsystem keys, [558](#)
 - DECT subsystem keys, [583](#)
 - EDGE subsystem keys, [631](#)
 - GSM subsystem keys, [780](#)
 - NADC subsystem keys, [881](#)
 - PDC subsystem keys, [915](#)
 - PHS subsystem keys, [949](#)
 - TETRA subsystem keys, [985](#)
- PRAM LIST, [114](#)
- PRAM?, [114](#)
- PRAT field, [503](#)
- Pre Sig field, [1118](#)
- Preamble power average field, [1120](#)
- Preamble Pulse (RPS21) softkey
 - See* wideband CDMA base band generator subsystem keys and fields
- Preamble Raw Data (RPS15) softkey
 - See* wideband CDMA base band generator subsystem keys and fields
- Preamble Raw Data Clock (RPS16) softkey
 - See* wideband CDMA base band generator subsystem keys and fields
- Preamble softkey, [1104](#)
- precise talking and forgiving listening, [7](#)
- Preset hardkey, [158](#)
- Preset List softkey, [21](#), [56](#)
- Preset Normal User softkey, [160](#)
- programming guide, [lxxiii](#)
- PSCH softkey, [357](#)
- PSCH State field, [1045](#)
- PSID softkey, [951](#), [970](#)

Index

pulse modulation subsystem keys

- Ext Pulse, [202](#)
- Int Doublet, [202](#)
- Int Free-Run, [202](#)
- Int Gated, [202](#)
- Int Triggered, [202](#)
- Internal Square, [202](#)
- Pulse Off On, [202](#)
- Pulse Period, [200](#)
- Pulse Rate, [199](#)
- Pulse Width, [201](#)

Pulse softkeys

- Pulse Off On, [202](#)
- Pulse Period, [200](#)
- Pulse Rate, [199](#)
- Pulse Width, [201](#)

Pulse/RF blanking, [306](#)

pulse/RF blanking markers

- awgn subsystem, [210](#)
- cdma arb subsystem, [224](#)
- cdma2000 arb, [258](#)
- dmodulation, [277](#)
- dual ARB subsystem, [306](#)
- wideband cdma arb, [368](#)

Puncture fields, [1165](#), [1172](#)

Puncture softkey, [1055](#)

PwrOffs field, [1054](#), [1150](#)

PWT softkey, [282](#), [283](#), [284](#)

Q

Q Gain softkey, [388](#)

Q Offset softkey, [30](#), [390](#)

QOF field, [487](#), [497](#)

QPSK softkey

- See* custom subsystem keys
- See* DECT subsystem keys
- See* Dmodulation subsystem keys
- See* EDGE subsystem keys
- See* GSM subsystem keys
- See* NADC subsystem keys
- See* PDC subsystem keys
- See* PHS subsystem keys
- See* TETRA subsystem keys

Quadrature Angle Adjustment softkey, [25](#), [30](#)

Quarter softkey, [529](#), [534](#)

quotes, SCPI command use of, [17](#)

R

RACH TrCH softkey, [1104](#)

Radio Config field

See CDMA2000 BBG subsystem keys and fields

Radio Config softkey, [253](#)

RadioConfig 1/2 Access softkey, [479](#)

RadioConfig 1/2 Traffic softkey, [479](#)

RadioConfig 3/4 Common Control softkey, [479](#)

RadioConfig 3/4 Enhanced Access softkey, [479](#)

RadioConfig 3/4 Traffic softkey, [479](#)

Ramp field, [487](#)

Ramp softkey, [175](#), [182](#), [189](#), [195](#)

Ramp Step field, [1117](#), [1132](#)

Ramp Time field, [487](#)

Random Seed Fixed Random softkey, [338](#)

Random softkey, [356](#), [364](#)

Ranging Code C/A P C/A+P softkey, [767](#)

Rate Full Half softkey, [885](#), [918](#)

Rate Match Attr field, [1070](#), [1165](#), [1172](#)

Rate softkey, [252](#), [255](#)

RCDMA softkey, [101](#)

real response data, [10](#)

Real-time AWGN Off On softkey, [463](#)

real-time AWGN subsystem keys

Bandwidth, [463](#)

Real-time AWGN Off On, [463](#)

Real-time GPS Off On softkey, [769](#)

Real-time Noise softkey, [310](#)

RECALL Reg softkey, [90](#)

Recall Secondary Frame State softkey

See DECT subsystem keys

See EDGE subsystem keys

See GSM subsystem keys

See NADC subsystem keys

See PDC subsystem keys

See PHS subsystem keys

See TETRA subsystem keys

Rectangle softkey

See CDMA ARB subsystem keys

See CDMA2000 ARB subsystem keys

See CDMA2000 BBG subsystem keys and fields

See custom subsystem keys

See DECT subsystem keys

- Rectangle softkey (continued)*
See Dmodulation subsystem keys
See EDGE subsystem keys
See GPS subsystem keys
See GSM subsystem keys
See NADC subsystem keys
See PDC subsystem keys
See PHS subsystem keys
See TETRA subsystem keys
See wideband CDMA ARB subsystem keys
See wideband CDMA base band generator subsystem keys and fields
- Ref Data Rate field, [1073](#), [1103](#)
- Ref Oscillator Source Auto Off On softkey, [48](#)
- Ref Sensitivity softkey, [1061](#)
- Reference Freq softkey, [477](#)
See AWGN subsystem keys
See bluetooth subsystem keys
See CDMA ARB subsystem keys
See CDMA2000 ARB subsystem keys
See Dmodulation subsystem keys
See dual ARB subsystem keys
See multitone subsystem keys
See wideband CDMA ARB subsystem keys
- Reference Frequency softkey, [382](#)
- Reference Out softkey, [413](#)
- references, [lxxiii](#)
- Rename File, [123](#)
- Rename File softkey, [127](#)
- Reserved field, [503](#)
- Reset & Run softkey
See CDMA ARB subsystem keys
See CDMA2000 ARB subsystem keys
See custom subsystem keys
See DECT subsystem keys
See Dmodulation subsystem keys
See dual ARB subsystem keys
See EDGE subsystem keys
See GSM subsystem keys
See NADC subsystem keys
See PDC subsystem keys
See PHS subsystem keys
See TETRA subsystem keys
See wideband CDMA ARB subsystem keys
- Reset RS-232 softkey, [79](#)
- Reset to Initial Power softkey, [1100](#)
- Resolution softkey, [418](#)
- resolving error messages/setting conflicts, [670](#), [811](#)
- response data types. *See* SCPI commands response types
- Restore DECT Factory Default softkey, [583](#)
- Restore EDGE Factory Default softkey, [632](#)
- Restore Factory Default softkey, [780](#)
- Restore NADC Factory Default softkey, [882](#)
- Restore PDC Factory Default softkey, [915](#)
- Restore PHS Factory Default softkey, [949](#)
- Restore Sys Defaults softkey, [159](#)
- Restore TETRA Factory Default softkey, [986](#)
- Resync Limits softkey, [456](#)
- Retrigger Mode Off On softkey, [371](#)
- Reverse softkey, [228](#)
- Revert to Default Cal Settings softkey, [73](#)
- rf blanking, [306](#)
- RF blanking/pulse markers
awgn subsystem, [210](#)
cdma arb subsystem, [224](#)
cdma2000 arb subsystem, [258](#)
dmodulation subsystem, [277](#)
dual ARB subsystem, [306](#)
wideband cdma arb subsystem, [368](#)
- RF On/Off hardkey, [129](#)
- Right Alternate softkey, [356](#)
- Right softkey, [1023](#)
- Rise Delay softkey
See custom subsystem keys
See DECT subsystem keys
See EDGE subsystem keys
See GSM subsystem keys
See NADC subsystem keys
See PDC subsystem keys
See PHS subsystem keys
See TETRA subsystem keys
- Rise Time softkey
See custom subsystem keys
See DECT subsystem keys
See EDGE subsystem keys
See GSM subsystem keys
See NADC subsystem keys
See PDC subsystem keys
See PHS subsystem keys

Index

Rise Time softkey (continued)

See TETRA subsystem keys

Rising softkey, [547](#)

RMC 144 kbps (25.141) softkey, [1134](#)

RMC 384 kbps (25.141) softkey, [1134](#)

RMC 64 kbps (25.141) softkey, [1134](#)

RMC122 kbps (25.141) softkey, [1134](#)

RMS header info, [295](#)

Root Nyquist softkey

See CDMA ARB subsystem keys

See CDMA2000 ARB subsystem keys

See CDMA2000 BBG subsystem keys and fields

See custom subsystem keys

See DECT subsystem keys

See Dmodulation subsystem keys

See EDGE subsystem keys

See GPS subsystem keys

See GSM subsystem keys

See NADC subsystem keys

See PDC subsystem keys

See PHS subsystem keys

See TETRA subsystem keys

See wideband CDMA ARB subsystem keys

See wideband CDMA base band generator
subsystem keys and fields

rotate markers, [302](#)

Rotation softkey, [390](#)

route subsystem keys

Burst Gate In Polarity Neg Pos, [130](#), [131](#)

Data Clock Out Neg Pos, [133](#)

Data Clock Polarity Neg Pos, [130](#), [132](#), [134](#)

Data Out Polarity Neg Pos, [133](#), [135](#)

Data Polarity Neg Pos, [131](#), [132](#)

DATA/CLK/SYNC Rear Outputs Off On, [135](#)

Symbol Sync Out Polarity Neg Pos, [134](#), [135](#)

Symbol Sync Polarity Neg Pos, [131](#), [132](#)

RS-232 Baud Rate softkey, [79](#)

RS-232 ECHO Off On softkeys, [79](#)

RS-232 Timeout softkeys, [80](#)

Run Complete Self Test softkey, [92](#)

runtime scaling, [312](#), [335](#)

S

S softkey, [645](#), [797](#)

See DECT subsystem keys

SA softkey, [952](#), [971](#)

SACCH softkey, [891](#), [895](#), [924](#), [927](#), [929](#)

Samples softkey, dual ARB trigger delay, [321](#)

Sanitize softkey, [161](#)

Satellite ID softkey, [769](#)

Save Reg softkey, [91](#)

Save Secondary Frame State softkey

See DECT subsystem keys

See EDGE subsystem keys

See GSM subsystem keys

See NADC subsystem keys

See PDC subsystem keys

See PHS subsystem keys

See TETRA subsystem keys

Save Seq[n] Reg[nn] softkey, [91](#)

Save Setup To Header softkey, [206](#), [220](#), [245](#), [273](#),
[297](#), [326](#), [344](#), [467](#)

Save User Preset softkey, [160](#)

Scale to 0dB softkey

See CDMA ARB subsystem keys

See CDMA2000 ARB subsystem keys

See CDMA2000 BBG subsystem keys and fields

See wideband CDMA ARB subsystem keys

See wideband CDMA base band generator
subsystem keys and fields

Scale Waveform Data softkey, [312](#)

scaling

during playback, [312](#), [335](#)

waveform files, [312](#)

Scaling softkey, [312](#), [391](#)

SCCPCH softkey, [357](#), [358](#)

SCFN field, [1059](#), [1155](#)

SCH slot-pulse (DRPS10) softkey, [1047](#), [1049](#),
[1050](#), [1051](#), [1052](#)

SCPI

errors, [155](#)

SCPI command subsystems

3GPP W-CDMA HSPA, [668](#)

all, [462](#)

amplitude modulation, [172](#)

AWGN, [205](#)

AWGN real-time, [463](#)

bluetooth, [464](#)

calculate, [398](#)

calibration, [72](#)

SCPI command subsystems (*continued*)

CDMA ARB, 215
 CDMA2000 ARB, 240
 CDMA2000 BBG, 479
 communication, 75
 correction, 20
 custom, 548
 data, 408
 DECT, 573
 diagnostic, 81
 digital, 380
 digital modulation, 22
 display, 85
 Dmodulation, 270
 Dual ARB, 294
 E4438C, 204
 EDGE, 622
 frequency, 38
 frequency modulation, 179
 GPS subsystem, 763
 GSM, 770
 HSDPA over W-CDMA, 809
 IEEE 488.2 common commands, 88
 input, 416, 422
 list/sweep, 49
 low frequency output, 186
 mass memory, 124
 memory, 94
 multitone, 326
 N5102A, 380
 NADC, 871
 output, 128
 PDC, 905
 phase modulation, 191
 PHS, 938
 power, 58
 pulse modulation, 199
 route, 130
 sense, 425
 status, 136
 system, 154
 TETRA, 974
 trigger, 166
 unit, 170
 wideband CDMA ARB, 340

SCPI command subsystems (*continued*)

wideband CDMA base band generator, 1017
 SCPI commands
 command tree paths, 7
 parameter and response types, 7
 parameter types
 boolean, 10
 discrete, 9
 extended numeric, 8
 numeric, 8
 string, 10
 response data types
 discrete, 11
 integer, 11
 numeric boolean, 11
 real, 10
 string, 11
 root command, 6
 SCPI reference, lxxiii
 SCPI softkey, 156, 158
 Scramble Code softkey, 356, 362, 364
 Scramble Off On softkey, 941, 977
 Scramble Offset softkey, 356, 364
 Scramble Seed softkey, 941, 977
 Scrambling Code field, 1052, 1053, 1148
 Screen Saver Delay
 1 hr softkey, 163
 Screen Saver Mode softkeys, 164
 Screen Saver Off On softkeys, 164
 Second DPDCH I Q softkey, 362
 Secondary Frame Off On softkey
 See DECT subsystem keys
 See EDGE subsystem keys
 See GSM subsystem keys
 See NADC subsystem keys
 See PDC subsystem keys
 See PHS subsystem keys
 See TETRA subsystem keys
 secure wave directory, 116
 security functions
 erase, 161
 none, 161
 overwrite, 161, 163
 sanitize, 161, 163
 secure display, 160

Index

security functions (*continued*)

secure mode, 162

segment advance

trigger response, 318

Segment Advance softkey, 315

Select File softkey, 249, 282

Select Seq softkey, 90

Select Waveform softkey, 323, 324

sense subsystem keys

Adjust Gain, 437

Aux, 438, 454, 460

Aux I/O Trigger Polarity Pos Neg, 460

BER Mode Off On, 425, 429, 448

BERT Off On, 457

BERT Resync Off On, 457

Bit Count, 439, 441

Bit Delay Off On, 459

Block Count, 428, 430, 432, 444, 448

Block Erasure, 426, 431, 444, 445, 446, 448, 449

Bus, 438, 454, 460

Class Ib Bit Error, 451, 452

Class II Bit Error, 452

Cycle Count, 459

Delay Bits, 459

EDGE BERT Off On, 442

Error Count, 442, 457

Exceeds Any Thresholds, 452

Ext, 438, 454, 460

Ext Frame Trigger Delay, 427

External Frame Polarity Net Pos, 427

Frame Count, 447, 450

Frame Erasure, 452

Frame Trigger Source Int Ext, 428

GSM BERT Off On, 455

High Amplitude, 429, 433, 440

Immediate, 438, 454, 460

Initial Bit Count, 441

Initial Block Count, 431, 434

Initial Frame Count, 451

Low Amplitude, 430, 433, 440, 447

Measurement Mode BER% Search, 450

Measurement Mode BLER% Search, 436

No Thresholds, 426, 431, 446, 449, 452, 458

Pass Amplitude, 430, 434, 441

PN11, 456

sense subsystem keys (*continued*)

PN15, 456

PN20, 456

PN23, 456

PN9, 456

Resync Limits, 456

Spcl Pattern 0's 1's, 455

Spcl Pattern Ignore Off On, 456

Spectrum Invert Off On, 437, 451

Stop Measurement, 435, 449

Sync Source BCH PDCH, 438

Sync Source BCH TCH, 454

Synchronize to BCH/PDCH, 437

Synchronize to BCH/TCH, 453

Target BER %, 429, 432

Timeslot, 436, 449

Total Bits, 458

Trigger Key, 438, 454, 460

Uplink Timing Advance, 439, 455

SEQ softkey, 102

sequence, creating, 313

service

guide, lxxiii

Set ALC Level softkey, 60

Set Atten softkey, 65

Set Marker Off All Points softkey, 301

Set Marker Off Range Of Points softkey, 300

Set Marker On Range Of Points softkey, 302

setting conflicts, resolving, 670, 811

setting markers, 302

setup sweep, 49

SF/2 softkey, 1151

SF2 softkey, 1055

SFN reset-signal (DRPS5) softkey, 1047, 1049,
1050, 1051, 1052

SFN RST Polarity softkey, 1148

SFN-CFN Frame Offset softkey, 1097

SHAPE softkey, 102

shift markers, 302

Signal Type softkey, 392

Signature field, 1133

Sine softkey

See amplitude modulation subsystem keys

See DECT subsystem keys

See EDGE subsystem keys

- Sine softkey (continued)*
 - See* frequency modulation subsystem keys
 - See* GSM subsystem keys
 - See* low frequency output subsystem keys
 - See* NADC subsystem keys
 - See* PDC subsystem keys
 - See* phase modulation subsystem keys
 - See* PHS subsystem keys
 - See* TETRA subsystem keys
- single
 - segment advance, [318](#)
- Single softkey
 - dual ARB subsystem keys, [318](#)
 - See* CDMA ARB subsystem keys
 - See* CDMA2000 ARB subsystem keys
 - See* custom subsystem keys
 - See* DECT subsystem keys
 - See* Dmodulation subsystem keys
 - See* dual ARB subsystem keys
 - See* EDGE subsystem keys
 - See* GSM subsystem keys
 - See* NADC subsystem keys
 - See* PDC subsystem keys
 - See* PHS subsystem keys
 - See* TETRA subsystem keys
 - See* wideband CDMA ARB subsystem keys
- Single Sweep softkey, [167](#)
- skew, [31](#), [32](#)
- skew, quadrature (angle) adjustment
 - BBG, [25](#)
 - RF path, [30](#)
- Slot Format field, [1024](#), [1031](#), [1080](#), [1091](#), [1108](#), [1113](#)
- softkey, [123](#)
- software options, [82](#)
- Source Module softkey, [63](#)
- Span Type User Full softkey, [62](#)
- Spcl Pattern 0's 1's softkey, [455](#)
- Spcl Pattern Ignore Off On softkey, [456](#)
- Spectrum Invert Off On softkey
 - See* sense subsystem keys
- Spread Rate 1 softkey, [247](#), [254](#), [262](#)
- Spread Rate 3, [254](#)
- Spread Rate 3 softkey, [247](#), [262](#)
- Spread Rate field, [511](#)
- Spreading Type Direct Mcarrier, [247](#)
- Spreading Type Direct Mcarrier softkey, [263](#)
- Spurious Response softkey, [1061](#)
- Square softkey, [175](#), [182](#), [189](#), [195](#)
- square wave pulse rate
 - internally generated, [199](#)
- SR1 9 Channel softkey, [249](#)
- SR1 Pilot softkey, [249](#)
- SR3 Direct 9 Channel softkey, [249](#)
- SR3 Direct Pilot softkey, [249](#)
- SR3 Mcarrier 9 Channel softkey, [249](#)
- SR3 MCarrier Pilot softkey, [249](#)
- SS softkey, [789](#)
- SSB softkey, [996](#), [1001](#)
- SSCH 2nd Scramble Group field, [1053](#)
- SSCH Power field, [1053](#)
- SSCH softkey, [357](#)
- SSCH State field, [1054](#)
- Standard softkey, [356](#)
- Start Access Slot Position in 80ms Period field, [1119](#)
- Start Frequency softkey, [61](#), [74](#)
- Start Sub-Channel# field, [1123](#)
- State field
 - See* CDMA2000 BBG subsystem keys and fields
- State softkey, [103](#), [124](#)
- STD softkey, [1077](#)
- Step Dwell softkey, [56](#)
- Step Power field, [1100](#)
- Stop Frequency softkey, [61](#), [74](#)
- Stop Measurement softkey
 - See* sense subsystem keys
- Store Custom CDMA State softkey, [232](#), [251](#), [254](#)
- Store Custom Dig Mod State softkey, [285](#)
- Store Custom Multicarrier softkey, [231](#), [249](#)
- Store Custom W-CDMA State softkey, [352](#), [355](#)
- Store To File softkey, [21](#), [123](#), [127](#), [336](#), [364](#)
- string response data, [11](#)
- string SCPI parameter, [10](#)
- strings, quote usage, [17](#)
- STS softkey, [997](#), [1002](#)
- Sub Channel Timing (RPS17) softkey
 - See* wideband CDMA base band generator subsystem keys and fields
- Subnet Mask softkey, [77](#)

Index

- subsystems, SCPI commands
 - See SCPI command subsystems
- Sum softkey, 24
- Summing Ratio (SRC1/SRC2) x.xx dB softkey, 36
- SW softkey, 924, 927, 929
- Swap IQ softkey, 387
- Sweep Direction Down Up softkey, 50
- Sweep Repeat Single Cont softkey, 166
- Sweep Retrace Off On softkey, 54
- sweep setup, 49
- Sweep Type List Step softkey, 55
- sweep/list subsystem keys
 - Load From Selected File
 - Store to File, 49
- Swept-Sine softkey, 175, 182, 189, 195
- Symbol Out Polarity Neg Pos softkey, 134
- Symbol Rate field, 1080, 1089, 1112
- Symbol Rate softkey, 286, 356, 364, 658, 1108
- Symbol Sync Out Polarity Neg Pos softkey, 135
- Symbol Sync Polarity Neg Pos softkey, 131, 132
- Symbol Timing Err softkey, 472
- Sync Out Offset softkey, 614, 657, 800, 897, 930, 961, 1008
- SYNC softkey, 892, 895, 954
- Sync softkey, 229, 799
- Sync Source BCH PDCH softkey, 438
- Sync Source BCH TCH softkey, 454
- Sync Source SFN FCk ESG softkey, 1149
- Synchronize to BCH/PDCH softkey, 437
- Synchronize to BCH/TCH softkey, 453
- System ID field, 504
- system subsystem keys
 - 8648A/B/C/D, 156, 158
 - 8656B,8657A/B, 156, 158
 - 8657D NADC, 156, 158
 - 8657D PDC, 156, 158
 - 8657J PHS, 156, 158
 - Activate Secure Display, 160
 - Enter Secure Mode, 162
 - erase, 161
 - Erase All, 161
 - Erase and Overwrite All, 163
 - Erase and Sanitize All, 163
 - Error Info, 155
 - Help Mode Single Cont, 156
- system subsystem keys (*continued*)
 - none, 161
 - overwrite, 161
 - PN9 Mode Preset, 159
 - Power On Last Preset, 157
 - Preset, 158
 - Preset Normal User, 160
 - Restore Sys Defaults, 159
 - sanitize, 161
 - Save User Preset, 160
 - SCPI, 156, 158
 - Screen Saver Delay
 - 1 hr, 163
 - Screen Saver Mode, 164
 - Screen Saver Off On, 164
 - Time/Date, 154, 165
 - View Next Error Message, 155
- T
- T1 softkey, 654
- T2 softkey, 655
- Target BER % softkey
 - See sense subsystem keys
- TCH All softkey, 954
- TCH softkey, 954
- TCH/FS softkey, 641, 644, 791
- tDPCH Offset field, 1032
- Test Model 1 w/16 DPCH softkey, 348, 353
- Test Model 1 w/32 DPCH softkey, 348, 353
- Test Model 1 w/64 DPCH softkey, 348, 353
- Test Model 2 softkey, 348, 353
- Test Model 3 w/16 DPCH softkey, 348, 353
- Test Model 3 w/32 DPCH softkey, 348, 353
- Test Model 4 softkey, 348, 353
- Test Model 5 w/2HSPDSCH softkey, 348, 353
- Test Model 5 w/4HSPDSCH softkey, 348, 353
- Test Model 5 w/8HSPDSCH softkey, 348, 353
- TETRA Off On softkey, 1016
- TETRA softkey, 282, 283, 284
- TETRA subsystem keys
 - 128QAM, 991
 - 16 1's & 16 0's, 984, 993, 995, 997, 998, 1000, 1002, 1004, 1005, 1006
 - 16PSK, 991
 - 16QAM, 991

TETRA subsystem keys (*continued*)

256QAM, 991
 2-Lvl FSK, 991
 32 1's & 32 0's, 984, 993, 995, 997, 998, 1000,
 1002, 1004, 1005, 1006
 32QAM, 991
 4 1's & 4 0's, 984, 993, 995, 997, 998, 1000, 1002,
 1004, 1005, 1006
 4-Lvl FSK, 991
 4QAM, 991
 64 1's & 64 0's, 984, 993, 995, 997, 998, 1000,
 1002, 1004, 1005, 1006
 64QAM, 991
 8 1's & 8 0's, 984, 993, 995, 997, 998, 1000, 1002,
 1004, 1005, 1006
 8PSK, 991
 All Timeslots, 1008
 APCO 25 C4FM, 988
 B, 996, 1001
 B1, 994, 999
 B2, 994, 999
 BBG Data Clock Ext Int, 974
 BBG Ref Ext Int, 987
 Begin Frame, 1008
 Begin Timeslot #, 1008, 1009
 Bit Rate, 975
 BPSK, 991
 Bus, 992, 1013
 Continuous, 1011
 D8PSK, 991
 Data Format Pattern Framed, 983
 Dn Custom Cont, 1007
 Dn Normal Cont, 1007
 Dn Normal Disc, 1007
 Dn Sync Cont, 1007
 Dn Sync Disc, 1007
 Ext, 984, 992, 993, 995, 997, 998, 1000, 1002,
 1004, 1005, 1006, 1013
 Ext BBG Ref Freq, 987
 Ext Data Clock Normal Symbol, 986
 Ext Delay Bits, 1014
 Ext Delay Off On, 1014
 Ext Polarity Neg Pos, 1015
 Fall Delay, 977, 979
 Fall Time, 978, 979

TETRA subsystem keys (*continued*)

FCOR, 996, 1001
 Filter Alpha, 974
 Filter BbT, 975
 FIX4, 984, 985, 993, 995, 997, 998, 1000, 1002,
 1004, 1005, 1006, 1007
 Free Run, 1011
 Freq Dev, 989
 Gate Active Low High, 1012
 Gated, 1011
 Gaussian, 988
 Gray Coded QPSK, 991
 I/Q Scaling, 989
 IS-95, 988
 IS-95 Mod, 988
 IS-95 Mod w/EQ, 988
 IS-95 OQPSK, 991
 IS-95 QPSK, 991
 IS-95 w/EQ, 988
 MSK, 991
 Nyquist, 988
 Optimize FIR For EVM ACP, 984
 OQPSK, 991
 $\pi/4$ DQPSK, 991
 Patt Trig In 1, 1015
 Patt Trig In 2, 1015
 Phase Dev, 990
 Phase Polarity Normal Invert, 991
 PN11, 984, 993, 995, 997, 998, 1000, 1002, 1004,
 1005, 1006
 PN15, 984, 993, 995, 997, 998, 1000, 1002, 1004,
 1005, 1006
 PN20, 984, 993, 995, 997, 998, 1000, 1002, 1004,
 1005, 1006
 PN23, 984, 993, 995, 997, 998, 1000, 1002, 1004,
 1005, 1006
 PN9, 984, 993, 995, 997, 998, 1000, 1002, 1004,
 1005, 1006
 PN9 Mode Normal Quick, 976
 QPSK, 991
 Recall Secondary Frame State, 992
 Rectangle, 988
 Reset & Run, 1011
 Restore TETRA Factory Default, 986
 Rise Delay, 980, 981

Index

TETRA subsystem keys (*continued*)

- Rise Time, [981](#), [982](#)
- Root Nyquist, [988](#)
- Save Secondary Frame State, [992](#)
- Scramble Off On, [977](#)
- Scramble Seed, [977](#)
- Secondary Frame Off On, [993](#)
- Sine, [983](#)
- Single, [1011](#)
- SSB, [996](#), [1001](#)
- STS, [997](#), [1002](#)
- Symbol Rate, [1009](#)
- Sync Out Offset, [1008](#)
- TETRA Off On, [1016](#)
- Timeslot Ampl Main Delta, [1003](#)
- Timeslot Off On, [1003](#)
- Trigger & Run, [1011](#)
- Trigger Key, [992](#), [1013](#)
- TS, [994](#), [999](#), [1003](#), [1004](#), [1006](#)
- UN3/4 GSM Gaussian, [988](#)
- Up Control 1, [1007](#)
- Up Control 2, [1007](#)
- Up Custom, [1007](#)
- Up Normal, [1007](#)
- User File, [983](#), [984](#), [993](#), [995](#), [997](#), [998](#), [1000](#),
[1002](#), [1004](#), [1005](#), [1006](#)
- User FIR, [988](#)
- User FSK, [990](#), [991](#)
- User I/Q, [990](#), [991](#)
- tetra subsystem keys
 - PRAM Files, [985](#)
- TFCI Field Off On softkey, [356](#), [361](#), [364](#), [366](#)
- TFCI Pat field, [1032](#)
- TFCI Pattern field, [1081](#), [1109](#)
- TFCI State field, [1082](#), [1110](#)
- Tfirst field, [1025](#)
- TGCFN field, [1055](#), [1150](#)
- TGD field, [1056](#), [1151](#)
- Tgl field, [1025](#)
- TGL1 field, [1056](#), [1152](#)
- TGL2 field, [1056](#), [1152](#), [1153](#)
- TGPL1 field, [1057](#), [1152](#)
- TGPRC field, [1153](#)
- TGPS Inactive Active softkey, [1154](#)
- TGSN field, [1058](#), [1154](#)
- Through softkey, [32](#), [205](#), [208](#), [217](#), [222](#), [241](#), [246](#),
[270](#), [275](#), [298](#), [299](#), [327](#), [329](#), [344](#), [346](#), [466](#), [473](#)
- Time field, [504](#)
- Time softkey, dual ARB trigger delay, [321](#)
- Time/Date softkey, [154](#), [165](#)
- Timeslot Ampl Main Delta softkey
 - See* DECT subsystem keys
 - See* EDGE subsystem keys
 - See* NADC subsystem keys
 - See* PDC subsystem keys
 - See* PHS subsystem keys
 - See* TETRA subsystem keys
- Timeslot Off On softkey
 - See* DECT subsystem keys
 - See* EDGE subsystem keys
 - See* GSM subsystem keys
 - See* NADC subsystem keys
 - See* PHS subsystem keys
 - See* TETRA subsystem keys
- Timeslot Offset softkey, [1122](#)
- Timeslot softkey
 - See* sense subsystem keys
- Timeslot Type softkey, [972](#)
- Timing Offset softkey, [1123](#), [1148](#), [1157](#)
- tOCNS Offset field, [1039](#)
- Toggle Marker 1 2 3 4 softkey, [313](#)
- Toggle State softkey, [334](#), [336](#)
- Total Bits field, [1161](#)
- Total Bits softkey, [458](#)
- Total Block field, [1163](#)
- TotalPwr field, [1075](#), [1105](#)
- TPC Pat Steps field, [1082](#)
- TPC Pat Trig Polarity Neg Pos softkey, [1084](#)
- TPC Pattern field, [1084](#)
- TPC Steps field, [1033](#)
- TPC UserFile Trig field, [1085](#)
- Tp-m field, [1124](#)
- Tp-p field, [1125](#)
- Traffic Bearer softkey, [589](#), [600](#)
- Traffic Bearer with Z field softkey, [589](#), [600](#)
- Traffic softkey, [229](#)
- Transp Chan A softkey, [1028](#)
- Transp Chan B softkey, [1028](#)
- Transp Position Flexible Fixed softkey, [1069](#)
- Transport CH softkey, [1040](#)

- TrCH BER field, [1090](#)
 - TrCh BlkSize 168 softkey, [1121](#)
 - TrCh BlkSize 360 softkey, [1121](#)
 - TrCH State Off On softkey, [1173](#)
 - TrCHI State Off On softkey, [1071](#)
 - Triangle softkey, [175](#), [182](#), [189](#), [195](#)
 - Trigger & Run softkey
 - See* CDMA ARB subsystem keys
 - See* CDMA2000 ARB subsystem keys
 - See* custom subsystem keys
 - See* DECT subsystem keys
 - See* Dmodulation subsystem keys
 - See* dual ARB subsystem keys
 - See* EDGE subsystem keys
 - See* GSM subsystem keys
 - See* NADC subsystem keys
 - See* PDC subsystem keys
 - See* PHS subsystem keys
 - See* TETRA subsystem keys
 - See* wideband CDMA ARB subsystem keys
 - Trigger Advance field, [546](#)
 - Trigger In Polarity Neg Pos softkey, [168](#)
 - Trigger Key softkey
 - list/sweep subsystem, [54](#)
 - See* amplitude modulation subsystem keys
 - See* CDMA ARB subsystem keys
 - See* CDMA2000 ARB subsystem keys
 - See* DECT subsystem keys
 - See* Dmodulation subsystem keys
 - See* dual ARB subsystem keys
 - See* EDGE subsystem keys
 - See* frequency modulation subsystem keys
 - See* GSM subsystem keys
 - See* low frequency output subsystem keys
 - See* NADC subsystem keys
 - See* PDC subsystem keys
 - See* phase modulation subsystem keys
 - See* PHS subsystem keys
 - See* sense subsystem keys
 - See* TETRA subsystem keys
 - See* trigger subsystem keys
 - See* wideband CDMA ARB subsystem keys
 - Trigger Out Polarity Neg Pos softkey, [167](#)
 - trigger source, list sweep, [54](#)
 - trigger subsystem keys
 - Bus, [168](#), [546](#)
 - Ext, [168](#), [546](#)
 - Free Run, [168](#), [546](#)
 - Single Sweep, [167](#)
 - Sweep Repeat Single Cont, [166](#)
 - Trigger In Polarity Neg Pos, [168](#)
 - Trigger Key, [168](#), [546](#)
 - Trigger Out Polarity Neg Pos, [167](#)
 - Trigger Sync Reply (RPS7) softkey
 - See* wideband CDMA base band generator subsystem keys and fields
 - triggers
 - response selection
 - segment advance mode, dual ARB, [318](#)
 - Truncated PN9 softkey, [465](#)
 - TS softkey, [799](#), [994](#), [999](#), [1003](#), [1004](#), [1006](#)
 - TSC0 softkey, [645](#), [655](#), [790](#), [797](#)
 - TSC1 softkey, [645](#), [655](#), [790](#), [797](#)
 - TSC2 softkey, [645](#), [655](#), [790](#), [797](#)
 - TSC3 softkey, [645](#), [655](#), [790](#), [797](#)
 - TSC4 softkey, [645](#), [655](#), [790](#), [797](#)
 - TSC5 softkey, [645](#), [655](#), [790](#), [797](#)
 - TSC6 softkey, [645](#), [655](#), [790](#), [797](#)
 - TSC7, [645](#), [790](#), [797](#)
 - TSC7 softkey, [645](#), [655](#), [790](#), [797](#)
 - TTI field, [1070](#), [1127](#), [1166](#), [1173](#)
 - TTI Frame Clock (RPS9) softkey
 - See* wideband CDMA base band generator subsystem keys and fields
 - Turbo Coding field, [498](#), [545](#)
 - Turbo softkey, [1065](#), [1067](#), [1159](#)
 - Type softkey, [356](#), [364](#)
- ## U
- UDI 64 kbps softkey, [1134](#)
 - UDI ISDN (25.101) softkey, [1030](#)
 - UN3/4 GSM Gaussian softkey
 - See* CDMA ARB subsystem keys
 - See* CDMA2000 ARB subsystem keys
 - See* CDMA2000 BBG subsystem keys and fields
 - See* custom subsystem keys
 - See* DECT subsystem keys
 - See* Dmodulation subsystem keys
 - See* EDGE subsystem keys

Index

UN3/4 GSM Gaussian softkey (continued)

See GPS subsystem keys

See GSM subsystem keys

See NADC subsystem keys

See PDC subsystem keys

See PHS subsystem keys

See TETRA subsystem keys

See wideband CDMA ARB subsystem keys

See wideband CDMA base band generator
subsystem keys and fields

Uncoded softkey, [646](#)

unit subsystem keys

dBm, [170](#)

dBuV, [170](#)

dBuVemf, [170](#)

mV, [170](#)

mVemf, [170](#)

uV, [170](#)

uVemf, [170](#)

unprotected

memory subsystem, [116](#)

unspecified RMS, [295](#)

Up Control 1 softkey, [1007](#)

Up Control 2 softkey, [1007](#)

Up Custom softkey, [896](#), [930](#), [1007](#)

Up Normal softkey, [1007](#)

Up TCH All softkey, [896](#), [930](#)

Up TCH softkey, [896](#), [930](#)

Up VOX softkey, [930](#)

Up/Down softkey, [1033](#), [1083](#)

Update Display Cycle End Cont softkey, [407](#)

Update in Remote Off On softkey, [87](#)

Uplink MCS-1 softkey, [641](#), [644](#), [791](#)

Uplink MCS-5 softkey, [646](#)

Uplink MCS-9 softkey, [646](#)

Uplink Timing Advance softkey

See sense subsystem keys

uploading files, [116](#)

user

documentation, [lxxiii](#)

User File softkey

See CDMA2000 BBG subsystem keys and fields

See custom subsystem keys

See DECT subsystem keys

See EDGE subsystem keys

User File softkey (continued)

See GPS subsystem keys

See GSM subsystem keys

See NADC subsystem keys

See PDC subsystem keys

See PHS subsystem keys

See TETRA subsystem keys

See wideband CDMA base band generator
subsystem keys and fields

user files, HSDPA, [809](#)

user files, HSPA, [668](#)

User FIR softkey

See CDMA ARB subsystem keys

See CDMA2000 ARB subsystem keys

See CDMA2000 BBG subsystem keys and fields

See custom subsystem keys

See DECT subsystem keys

See Dmodulation subsystem keys

See EDGE subsystem keys

See GPS subsystem keys

See GSM subsystem keys

See NADC subsystem keys

See PDC subsystem keys

See PHS subsystem keys

See TETRA subsystem keys

See wideband CDMA ARB subsystem keys

See wideband CDMA base band generator
subsystem keys and fields

User Flatness softkey, [103](#), [124](#)

User FSK softkey

See custom subsystem keys

See DECT subsystem keys

See EDGE subsystem keys

See GSM subsystem keys

See NADC subsystem keys

See PDC subsystem keys

See PHS subsystem keys

See TETRA subsystem keys

User I/Q softkey

See custom subsystem keys

See DECT subsystem keys

See EDGE subsystem keys

See GSM subsystem keys

See NADC subsystem keys

See PDC subsystem keys

User I/Q softkey (continued)

See PHS subsystem keys

See TETRA subsystem keys

uV softkey, 170

uVemf softkey, 170

UW softkey, 952, 953, 970, 971

UWCDMA softkey, 104

V

View Next Error Message softkey, 155

W

Walsh Code softkey, 252, 255

Walsh field

See CDMA2000 BBG subsystem keys and fields

waveform

sequence, dual ARB, 313

Waveform Length softkey, 212, 238

waveform license time remaining, 84

Waveform Licenses softkey, 82, 84

Waveform Runtime Scaling softkey, 312, 335

waveform scaling

during playback, 312, 335

files, 312

waveform, creating a multitone, 326

W-CDMA Off On softkey, 378, 1173

WCDMA softkey

See CDMA ARB subsystem keys

See CDMA2000 ARB subsystem keys

See Dmodulation subsystem keys

See wideband CDMA ARB subsystem keys

wideband AM, 173

wideband CDMA ARB subsystem keys

1 DPCH, 348, 353

2 Carriers, 349

2.100 MHz, 346

3 Carriers, 349

3 DPCH, 348, 353

4 Carriers, 349

40.000 MHz, 344, 346

APCO 25 C4FM, 342

Apply Channel Setup, 356, 364

ARB Reference Ext Int, 370

ARB Sample Clock, 372

wideband CDMA ARB subsystem keys (*continued*)

Bus, 375

Channel, 356, 364

Chip Rate, 342

Clear Header, 344

Clip |I| To, 340, 350

Clip |Q| To, 340, 351

Clip At PRE POST FIR Filter, 340

Clip Type |I+jQ| To, 341, 351

Clipping Type |I+jQ| |I|,|Q|, 341, 351

Continuous, 372

Custom WCDMA State, 363

DPCCCH, 363

DPCCCH + 1 DPDCH, 363

DPCCCH + 2 DPDCH, 363

DPCCCH + 3 DPDCH, 363

DPCCCH + 4 DPDCH, 363

DPCCCH + 5 DPDCH, 363

DPCH, 357

Equal Energy per Symbol, 361

Ext Delay Off On, 376

Ext Delay Time, 376

Ext Key, 375

Ext Polarity Neg Pos, 377

Filter Alpha, 343

Filter BbT, 343

First Spread Code, 356, 364

Free Run, 374

Gain Unit dB Lin Index, 366

Gate Active Low High, 374

Gated, 372

Gaussian, 342

I/Q Mapping Norma Invert, 345

I/Q Mod Filter Manual Auto, 347

I/Q Output Filter Manual Auto, 345

Increment Scramble Code, 352

Increment Timing Offset, 355

IS-2000 SR3 DS, 342

IS-95, 342

IS-95 Mod, 342

IS-95 Mod w/EQ, 342

IS-95 w/EQ, 342

Left Alternate, 356

Link Down Up, 347

Marker 1, 367, 368

Index

wideband CDMA ARB subsystem keys (*continued*)

Marker 2, [367](#), [368](#)
Marker 3, [367](#), [368](#)
Marker 4, [367](#), [368](#)
Marker Polarity Neg Pos, [370](#)
Modulator Atten Manual Auto, [346](#)
None, [367](#), [368](#)
Nyquist, [342](#)
OCNS, [357](#)
Optimize ACP ADJ ALT, [347](#), [362](#)
Optimize FIR For EVM ACP, [344](#)
Patt Trig In 1, [377](#)
Patt Trig In 2, [377](#)
PCCPCH + SCH, [348](#), [353](#)
PCCPCH + SCH + 1 DPCH, [348](#), [353](#)
PCCPCH + SCH + 3 DPCH, [348](#), [353](#)
PICH, [357](#)
Power, [364](#)
PPCCPCH, [357](#), [358](#)
PSCH, [357](#)
Random, [356](#), [364](#)
Rectangle, [342](#)
Reference Freq, [370](#)
Reset & Run, [374](#)
Retrigger Mode Off On, [371](#)
Right Alternate, [356](#)
Root Nyquist, [342](#)
Save Setup To Header, [344](#)
Scale to 0dB, [361](#)
SCCPCH, [357](#), [358](#)
Scramble Code, [356](#), [362](#), [364](#)
Scramble Offset, [356](#), [364](#)
Second DPDCH I Q, [362](#)
Single, [372](#)
SSCH, [357](#)
Standard, [356](#)
Store Custom W-CDMA State, [352](#), [355](#)
Store To File, [364](#)
Symbol Rate, [356](#), [364](#)
Test Model 1 w/16 DPCH, [348](#), [353](#)
Test Model 1 w/32 DPPCH, [348](#), [353](#)
Test Model 1 w/64 DPCH, [348](#), [353](#)
Test Model 2, [348](#), [353](#)
Test Model 3 w/16 DPCH, [348](#), [353](#)
Test Model 3 w/32 DPCH, [348](#), [353](#)

wideband CDMA ARB subsystem keys (*continued*)

Test Model 4, [348](#), [353](#)
Test Model 5 w/2HSPDSCH, [348](#), [353](#)
Test Model 5 w/4HSPDSCH, [348](#), [353](#)
Test Model 5 w/8HSPDSCH, [348](#), [353](#)
TFCI Field Off On, [356](#), [361](#), [364](#), [366](#)
Through, [344](#), [346](#)
Trigger & Run, [374](#)
Trigger Key, [375](#)
Type, [356](#), [364](#)
UN3/4 GSM Gaussian, [342](#)
User FIR, [342](#)
WCDMA, [342](#)
W-CDMA Off On, [378](#)

wideband CDMA base band generator subsystem

keys and fields
of Blocks, [1068](#)
1/2 Conv, [1065](#), [1067](#), [1159](#)
1/3 Conv, [1065](#), [1067](#), [1159](#)
10 msec, [1093](#)
10ms Frame Pulse (DRPS11), [1047](#), [1049](#), [1050](#),
[1051](#), [1052](#)
10ms Frame Pulse (RPS6), [1142](#), [1144](#), [1145](#),
[1146](#), [1147](#)
12.2 kbps (34.121), [1030](#)
144 kbps (34.121), [1030](#)
20 msec, [1093](#)
2560 msec, [1093](#)
2nd Scr Offset, [1031](#), [1038](#)
3.84MHz chip-clk (DRPS4), [1047](#), [1049](#), [1050](#),
[1051](#), [1052](#)
384 kbps (34.121), [1030](#)
40 msec, [1093](#)
64 kbps (34.121), [1030](#)
80 msec, [1093](#)
80ms Frame Pulse (DRPS13), [1047](#), [1049](#), [1050](#),
[1051](#), [1052](#)
80ms Frame Pulse (RPS20), [1142](#), [1144](#), [1145](#),
[1146](#), [1147](#)
A, [1022](#)
ACS, [1061](#)
Active, [1058](#)
Actual BER, [1168](#)
Actual BLER, [1162](#), [1169](#)
AICH, [1127](#)

- wideband CDMA base band generator subsystem
 keys and fields (*continued*)
 AICH Trigger Polarity Pos Neg, [1102](#)
 All Down, [1033](#), [1083](#)
 All Up, [1033](#), [1083](#)
 Alt power in, [1140](#)
 AMR 12.2 kbps, [1030](#), [1134](#)
 APCO 25 C4FM, [1034](#), [1094](#)
 Apply Channel Setup, [1018](#), [1072](#)
 B, [1022](#)
 Base Delay Tp-a, [1124](#)
 BBG Chip Clock Ext Int, [1017](#)
 BBG Data Clock Ext In, [1021](#)
 BER, [1162](#), [1164](#), [1169](#), [1171](#)
 Beta, [1076](#), [1086](#)
 BLER, [1163](#), [1164](#), [1170](#), [1171](#)
 Blk Set Size, [1064](#)
 Blk Size, [1063](#), [1158](#), [1166](#)
 Blocking, [1061](#)
 Burst gate in, [1141](#)
 C Power, [1073](#)
 C Power value, [1103](#)
 C/N value, [1018](#), [1072](#), [1102](#)
 CFN #0 Frame Pulse (RPS10), [1136](#)
 Chan Code, [1027](#), [1028](#), [1037](#)
 Channel Code, [1042](#), [1077](#), [1087](#), [1128](#), [1129](#)
 Channel Code field, [1041](#)
 Channel State, [1086](#), [1093](#)
 Channel State Off On, [1021](#), [1025](#), [1026](#), [1028](#),
[1034](#), [1036](#), [1039](#), [1040](#), [1042](#), [1044](#), [1052](#),
[1075](#), [1105](#), [1159](#), [1166](#), [1167](#)
 ChCode Ctl, [1118](#)
 ChCode Dat, [1118](#)
 Chip Clock (RPS1), [1136](#), [1142](#), [1144](#), [1145](#), [1146](#),
[1147](#)
 Chip Rate, [1027](#), [1076](#)
 Comp Mode Start Trigger Polarity Neg Pos, [1156](#)
 Comp Mode Start Trigger Polarity Pos Neg, [1059](#),
[1060](#)
 Comp Mode Stop Trigger Polarity Neg Pos, [1156](#)
 Comp Mode Stop Trigger Polarity Pos Neg, [1060](#)
 Compressed Mode Off On, [1155](#)
 Compressed Mode Start Trigger, [1036](#), [1059](#), [1156](#)
 Compressed Mode Stop Trigger, [1060](#), [1156](#)
 CRC Size, [1066](#), [1160](#), [1167](#)
- wideband CDMA base band generator subsystem
 keys and fields (*continued*)
 Ctrl Beta, [1106](#)
 Ctrl Pwr, [1107](#)
 Data, [1088](#)
 Data Beta, [1110](#)
 Data field, [1171](#)
 Data Pwr, [1112](#)
 Data Rate, [1038](#)
 DCH1, [1074](#)
 DCH2, [1074](#)
 DCH3, [1074](#)
 DCH4, [1074](#)
 DCH5, [1074](#)
 DCH6, [1074](#)
 DL Reference 1.1, [1154](#)
 DL Reference 1.2, [1154](#)
 DL Reference 2.1, [1154](#)
 DL Reference 2.2, [1154](#)
 Down/Up, [1033](#), [1083](#)
 DPCCCH, [1074](#), [1097](#)
 DPCCCH Pilot data-clk (DRPS23), [1047](#), [1049](#),
[1050](#), [1051](#), [1052](#)
 DPCCCH Power, [1080](#)
 DPCCCH Raw Data (RPS4), [1136](#)
 DPCCCH Raw Data Clock (RPS5), [1136](#)
 DPCCCH TFCI data-clk (DRPS22), [1047](#), [1049](#),
[1050](#), [1051](#), [1052](#)
 DPCCCH TPC indicator (DRPS21), [1047](#), [1049](#),
[1050](#), [1051](#), [1052](#)
 DPCH + 1, [1019](#), [1020](#)
 DPCH + 2, [1019](#), [1020](#)
 DPCH 10ms Frame-Pulse (DRPS26), [1047](#), [1049](#),
[1050](#), [1051](#), [1052](#)
 DPCH Channel Balance, [1027](#)
 DPCH Compressed Frame Indicator (DRPS32),
[1047](#), [1049](#), [1050](#), [1051](#), [1052](#)
 DPCH data stream (DRPS24), [1047](#), [1049](#), [1050](#),
[1051](#), [1052](#)
 DPCH data-clk (0) (DRPS28), [1047](#), [1049](#), [1050](#),
[1051](#), [1052](#)
 DPCH Gap Indicator (DRPS33), [1047](#), [1049](#),
[1050](#), [1051](#), [1052](#)
 DPCH TimeSlot pulse (DRPS25), [1047](#), [1049](#),
[1050](#), [1051](#), [1052](#)

Index

wideband CDMA base band generator subsystem
 keys and fields (*continued*)
DPDCH, 1074
DPDCH data-clk withDTX (DRPS20), 1047,
 1049, 1050, 1051, 1052
DPDCH data-clk WithOutDTX (DRPS30), 1047,
 1049, 1050, 1051, 1052
DPDCH Power, 1089
DPDCH Raw Data (RPS2), 1136
DPDCH Raw Data Clock (RPS3), 1136
Eb/No, 1103
Eb/No value (dB), 1073
Ec/No value, 1019, 1104
Equal Powers, 1040, 1097
Error BER, 1168
Error Bits, 1161
Error Blocks, 1162
Ext, 1033
Ext Clock Rate x1 x2 x4, 1017
FBI State, 1079
Filter Alpha, 1035, 1095
Filter BbT, 1035, 1096
FIX, 1079
FIX4, 1029, 1040, 1041, 1042, 1043, 1066, 1067,
 1078, 1088, 1106, 1107, 1109, 1111, 1164,
 1168
Flat Noise BW, 1074
Frame Clock Polarity Neg Pos, 1094
Frame Struct, 1054
Frame Sync Trigger Mode Single Cont, 1149
Gaussian, 1034, 1094
Higher Layer, 1151
Infinity, 1057, 1153
Init Power, 1098
Init Pwr, 1116, 1131
Intermod, 1061
IS-95, 1034, 1094
IS-95 Mod, 1034, 1094
IS-95 Mod w/EQ, 1034, 1094
IS-95 w/EQ, 1094
Left, 1023
Link Down Up, 1071
Max Input, 1061
Max Power, 1099
Max Pwr, 1117, 1132

wideband CDMA base band generator subsystem
 keys and fields (*continued*)
 Message Data Raw Data (RPS11), 1142, 1144,
 1145, 1146, 1147
 Message Part, 1115
 Message Pulse (RPS22), 1142, 1144, 1145, 1146,
 1147
 Message-Control Raw Data (RPS13), 1144, 1145,
 1146, 1147
 Message-Control Raw Data Clock (RPS12), 1142,
 1144, 1145, 1146, 1147
 Min Power, 1099
 Msg Ctrl, 1104
 Msg Data, 1104
 Msg Pwr, 1115, 1130
 N Power, 1075, 1105
 NONE, 1159
 None, 1065, 1067, 1164, 1171
 NONE (RPS0), 1136, 1142, 1144, 1145, 1146,
 1147
 Normal, 1023
 Num of Blk, 1165, 1172
 Num of Pre, 1116, 1131
 Number of AICH, 1101
 Number of PRACH, 1128, 1130
 Number of PRACH 80ms, 1115
 Number of Preamble, 1131
 Nyquist, 1034, 1094
 Off, 1127
 Omitted, 1057, 1153
 On, 1127
 On/Off, 1039, 1120
 OpenLoop Ant1, 1062
 OpenLoop Ant1 SCH TSTD OFF, 1062
 OpenLoop Ant2, 1062
 OpenLoop Ant2 SCH TSTD OFF, 1062
 Optimize FIR For EVM ACP, 1036, 1096
 Paging Indicator, 1043
 Pattern trigger in 1, 1141
 Pattern trigger in 2, 1142
 PCCPCH, 1019, 1020
 P-CCPCH data (DRPS39), 1047, 1049, 1050,
 1051, 1052
 P-CCPCH data-clk (DRPS38), 1047, 1049, 1050,
 1051, 1052

- wideband CDMA base band generator subsystem
 keys and fields (*continued*)
 Performance Req, [1061](#)
 Phase Polarity Normal Invert, [1044](#)
 Phase Polarity Normal Inverted, [1071](#)
 PI Bits, [1043](#)
 PICH, [1019](#), [1020](#)
 PICH 10ms FramePulse (DRPS37), [1047](#), [1049](#),
[1050](#), [1051](#), [1052](#)
 PICH data (DRPS35), [1047](#), [1049](#), [1050](#), [1051](#),
[1052](#)
 PICH data-clk (DRPS34), [1047](#), [1049](#), [1050](#),
[1051](#), [1052](#)
 PICH TimeSlot Pulse (DRPS36), [1047](#), [1049](#),
[1050](#), [1051](#), [1052](#)
 Playback Ratio, [1023](#)
 PN15, [1022](#), [1028](#), [1037](#), [1040](#), [1042](#), [1077](#), [1078](#),
[1081](#), [1083](#), [1088](#), [1106](#), [1109](#), [1111](#)
 PN9, [1022](#), [1028](#), [1037](#), [1040](#), [1042](#), [1066](#), [1077](#),
[1078](#), [1081](#), [1083](#), [1088](#), [1106](#), [1109](#), [1111](#),
[1160](#), [1168](#)
 Power, [1023](#), [1026](#), [1029](#), [1037](#), [1041](#), [1044](#), [1045](#)
 Power Control Signal Polarity Neg Pos, [1101](#)
 Power Hold Off On, [1098](#)
 Power Mode Norm TPC, [1101](#)
 Pp-m, [1117](#), [1133](#)
 PRACH, [1097](#)
 PRACH Mode Single Multi, [1114](#)
 PRACH Power Setup Mode Pp-m Total, [1121](#)
 PRACH Processing (RPS19), [1142](#), [1144](#), [1145](#),
[1146](#), [1147](#)
 PRACH Scrambling Code, [1122](#)
 PRACH Trigger, [1126](#)
 PRACH Trigger Polarity Neg Pos, [1126](#)
 PRACH Trigger Source Immedi Trigger, [1126](#)
 Pre Sig, [1118](#)
 Preamble, [1104](#)
 Preamble power average, [1120](#)
 Preamble Pulse (RPS21), [1142](#), [1144](#), [1145](#), [1146](#),
[1147](#)
 Preamble Raw Data (RPS15), [1142](#), [1144](#), [1145](#),
[1146](#), [1147](#)
 Preamble Raw Data Clock (RPS16), [1142](#), [1144](#),
[1145](#), [1146](#), [1147](#)
 PSCH State, [1045](#)
- wideband CDMA base band generator subsystem
 keys and fields (*continued*)
 Puncture, [1055](#), [1165](#), [1172](#)
 PwrOffs, [1054](#), [1150](#)
 RACH TrCH, [1104](#)
 Ramp Step, [1117](#), [1132](#)
 Rate Match Attr, [1070](#), [1165](#), [1172](#)
 Rectangle, [1034](#), [1094](#)
 Ref Data Rate, [1073](#), [1103](#)
 Ref Sensitivity, [1061](#)
 Reset to Initial Power, [1100](#)
 Right, [1023](#)
 RMC 144 kbps (25.141), [1134](#)
 RMC 384 kbps (25.141), [1134](#)
 RMC 64 kbps (25.141), [1134](#)
 RMC122 kbps (25.141), [1134](#)
 Root Nyquist, [1034](#), [1094](#)
 Scale to 0dB, [1040](#), [1097](#)
 SCFN, [1059](#), [1155](#)
 SCH slot-pulse (DRPS10), [1047](#), [1049](#), [1050](#),
[1051](#), [1052](#)
 Scrambling Code, [1052](#), [1053](#), [1148](#)
 SF/2, [1151](#)
 SF2, [1055](#)
 SFN reset-signal (DRPS5), [1047](#), [1049](#), [1050](#),
[1051](#), [1052](#)
 SFN RST Polarity, [1148](#)
 SFN-CFN Frame Offset, [1097](#)
 Signature, [1133](#)
 Slot Format, [1024](#), [1031](#), [1080](#), [1091](#), [1108](#), [1113](#)
 Spurious Response, [1061](#)
 SSCH 2nd Scramble Group, [1053](#)
 SSCH Power, [1053](#)
 SSCH State, [1054](#)
 Start Access Slot Position in 80ms Period, [1119](#)
 Start Sub-Channel#, [1123](#)
 STD, [1077](#)
 Step Power, [1100](#)
 Sub Channel Timing (RPS17), [1142](#), [1144](#), [1145](#),
[1146](#), [1147](#)
 Symbol Rate, [1080](#), [1089](#), [1108](#), [1112](#)
 Sync Source SFN FCIk ESG, [1149](#)
 tDPCH Offset, [1032](#)
 TFCI Pat, [1032](#)
 TFCI Pattern, [1081](#), [1109](#)

Index

- wideband CDMA base band generator subsystem
 - keys and fields (*continued*)
 - TFCI State, [1082](#), [1110](#)
 - Tfirst, [1025](#)
 - TGCFN, [1055](#), [1150](#)
 - TGD, [1056](#), [1151](#)
 - Tgl, [1025](#)
 - TGL1, [1056](#), [1152](#)
 - TGL2, [1056](#), [1152](#)
 - TGPL1, [1057](#), [1152](#)
 - TGPL2, [1153](#)
 - TGPRC, [1153](#)
 - TGPS Inactive Active, [1154](#)
 - TGSN, [1058](#), [1154](#)
 - Timeslot Offset, [1122](#)
 - Timing Offset, [1123](#), [1148](#), [1157](#)
 - tOCNS Offset, [1039](#)
 - Total Bits, [1161](#)
 - Total Blocks, [1163](#)
 - TotalPwr, [1075](#), [1105](#)
 - TPC Pat Steps, [1082](#)
 - TPC Pat Trig Polarity Neg Pos, [1084](#)
 - TPC Pattern, [1084](#)
 - TPC Steps, [1033](#)
 - TPC UserFile Trig, [1085](#)
 - Tp-m, [1124](#)
 - Tp-p, [1125](#)
 - Transp Chan A, [1028](#)
 - Transp Chan B, [1028](#)
 - Transp Position Flexible Fixed, [1069](#)
 - Transport CH, [1040](#)
 - TrCH BER, [1090](#)
 - TrCh BlkSize 168, [1121](#)
 - TrCh BlkSize 360, [1121](#)
 - TrCH State Off On, [1071](#), [1173](#)
 - Trigger Sync Reply (RPS7), [1142](#), [1144](#), [1145](#),
[1146](#), [1147](#)
 - TTI, [1070](#), [1127](#), [1166](#), [1173](#)
 - TTI Frame Clock (RPS9), [1136](#)
 - Turbo, [1065](#), [1067](#), [1159](#)
 - UDI 64 kbps, [1134](#)
 - UDI ISDN (25.101), [1030](#)
 - UN3/4 GSM Gaussian, [1034](#)
 - Up/Down, [1033](#), [1083](#)
- wideband CDMA base band generator subsystem
 - keys and fields (*continued*)
 - User File, [1028](#), [1033](#), [1040](#), [1042](#), [1066](#), [1077](#),
[1078](#), [1081](#), [1088](#), [1106](#), [1109](#), [1111](#), [1160](#),
[1168](#)
 - User FIR, [1034](#), [1094](#)
 - W-CDMA Off On, [1173](#)
 - Word Alignment softkey, [384](#)
 - Word Size softkey, [391](#)